

19 TELETYPEWRITER

TELETYPEWRITER AND PERFORATOR-TRANSMITTER CIRCUIT

WIRING DIAGRAM

1. GENERAL

1.01 This section shows the wiring of the 19 teletypewriter. This is a typical circuit diagram and for the actual wiring of the basic units refer to the sections covering the wiring diagrams of the 15 perforator-transmitter, 15 typing unit, 15 base, and 15 motor unit.

1.02 This section is reissued to show the following wiring change: on the 15 base the brown wire connecting the Break key to terminal 42 should be moved to terminal 32, and terminals 32 and 42 should be strapped. See Figure 1.

SECTION 572-300-400

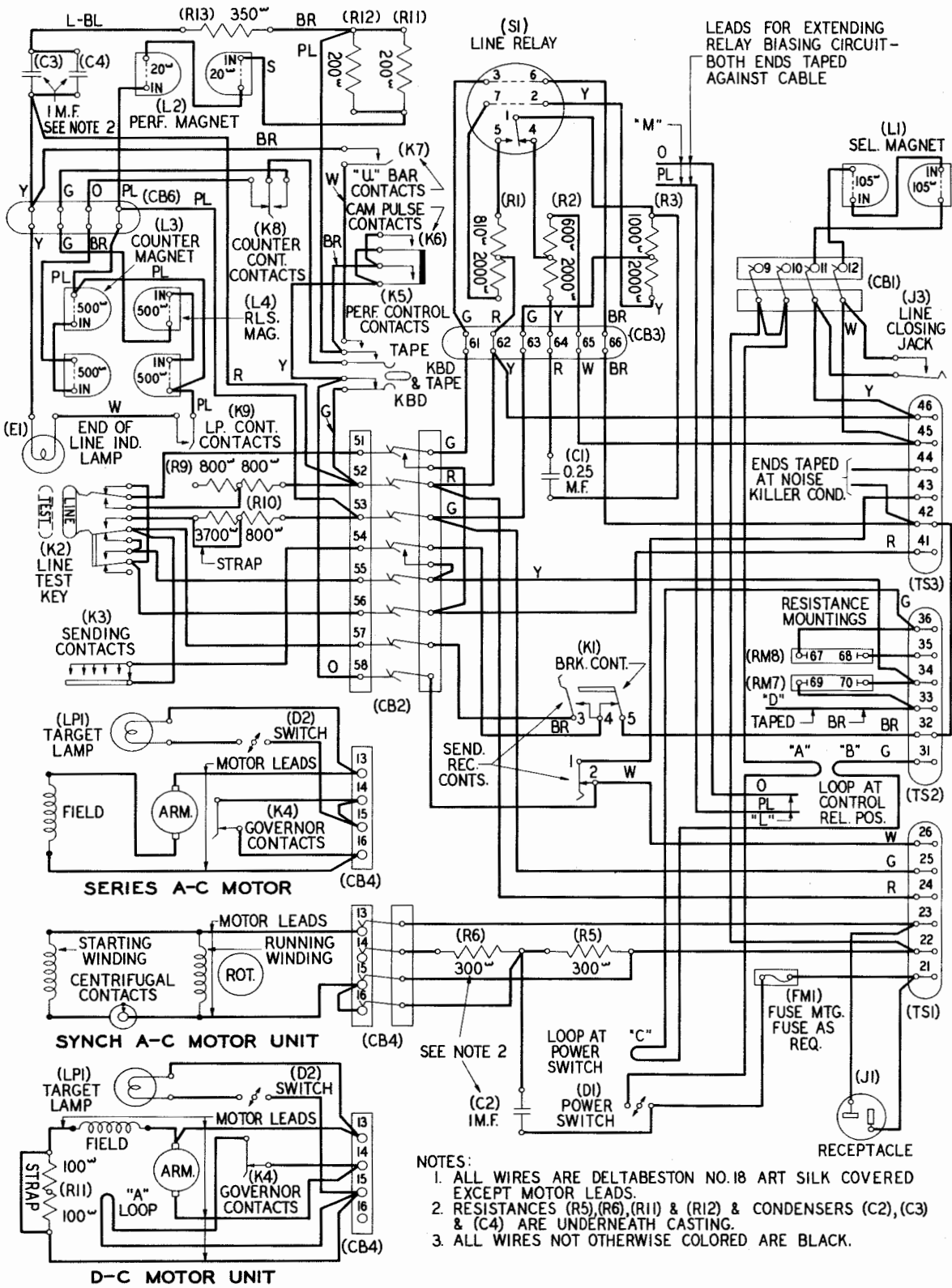


Figure 1 - 19 Teletypewriter - Using 15A Base and 15A, 15C, 15E, 15G, 15R, 15S, or 15T Typing Unit (Typical Wiring)