

ILLINOIS BELL TELEPHONE COMPANY  
UNIVERSAL TTY PLAN DRAWING  
INDEX FOR #15 TTY

	<u>#15</u>	
	<u>Drawing</u>	<u>Iss.#</u>
Universal Set Wiring	C-6511-11	3
Attended TWX SL and SLX Schematic	C-6511-01	3
Unattended TWX SL and SLX Schematic	C-6511-02	3
Attended TWX TLX Schematic	C-6511-03	2
Unattended TWX TLX Schematic	C-6511-04	2
Unattended TWX Line Con. and 43A1 Carrier Schematic	C-6511-05	2
Universal Set TWX Assemblies	C-6513-11	6 (Not included)
Battery, Loop, or ground station Electrical Motor Control TWP Sch.	C-6511-010	3
Battery Station Switch Motor Control TWP Sch.	C-6511-011	4
Loop or Ground Station Sw. Motor Control TWP	C-6511-012	3
Universal Set TWP Assemblies	C-6532-11	4
Mounting Details and Assemblies for Universal Set Tables	E-3474	3

Additional Drawings included:

Electrical Service Unit 117852      WD 2504-C

No. 15 Wiring of Power and Loop Panel

with a customer provided table      P96.022      2

DESIRED FEATURES		REQUIRED APPARATUS CODE GROUPS						
		BASIC TTY			SET SUB TTY	STRIP TTY	RECTIFIER PER SPEC.	EXT. CORD
		SET TTY #15 C-6511-G	SET TTY #28 C-6512-G	SET TTY #19 C-6529-G				
#15 TTY	FRICTION FEED	BATT. STA. SWITCH CONTROLLED	AC 1			51	29	
		DC 2			51		31	
		LOOP OR GROUNDED STA. SWITCH CONTROLLED	AC 1			13		
		DC 2			13			
		BATT. STA. ELEC. MOTOR CONTROL	AC 1			52	29	
		DC 2			52		31	
	SPROCKET FEED	LOOP OR GROUNDED STA. SWITCH CONTROLLED	AC 1			53		
			DC 2			53		
			DC 2					
		BATT. STA. ELEC. MOTOR CONTROL	AC 3			51	29	
			DC 4			51		31
			DC 4			13		
#28 TTY	FRICTION FEED	BATT. STA. SWITCH CONTROLLED	AC 3			51	29	
		DC 4			51		31	
		DC 4			13			
	LOOP OR GROUNDED STA. SWITCH CONTROLLED	AC 3			52	29		
		DC 4			52		31	
		DC 4			53			
#19 TTY	FRICTION FEED	BATT. STA. SWITCH CONTROLLED	AC 5			51	29	
		DC 6			51		31	
		DC 6			13			
	LOOP OR GROUNDED STA. SWITCH CONTROLLED	AC 5			52	29		
		DC 6			52		31	
		DC 6			53			
SPROCKET FEED	BATT. STA. SWITCH CONTROLLED	AC 7			51	29		
		DC 8			51		31	
		DC 8			13			
	LOOP OR GROUNDED STA. SWITCH CONTROLLED	AC 7			52	29		
		DC 8			52		31	
		DC 8			53			
#19 TTY	FRICTION FEED	BATT. STA. SWITCH CONTROLLED	AC 24			51	28	
		DC 25			51		31	
		DC 25			13			
		DC 25			13			
		BATT. STA. ELEC. MOTOR CONTROL	AC 24			52	28	
		DC 25			52		31	
	SPROCKET FEED	LOOP OR GROUNDED STA. SWITCH CONTROLLED	AC 24			53	28	
			DC 25			53		31
			DC 25					
		BATT. STA. SWITCH CONTROLLED	AC 26			51	28	
			DC 27			51		31
			DC 27			13		
LOOP OR GROUNDED STA. SWITCH CONTROLLED	AC 26			52	28			
	DC 27			52		31		
	DC 27			53				
BATT. STA. ELEC. MOTOR CONTROL	AC 26			52	28			
	DC 27			52		31		
	DC 27			53				
LOOP OR GROUNDED STA. SWITCH CONTROLLED	AC 26			53	28			
	DC 27			53		31		
	DC 27							

ACCESSORIES	
DESCRIPTION	ORDERING INFORMATION PER SPEC. C-1729
BOX, PAPER, 28A (28 TTY)	ACCESSORY TTY C-1729-G15
BOX, PAPER, TP-115730-AB (15 TTY)	ACCESSORY TTY C-1729-G16
COPYHOLDER, 14A40	ACCESSORY TTY C-1729-G17
COPYHOLDER, 15A40	ACCESSORY TTY C-1729-G18
COPYHOLDER, OFFSET, 28A40 (28 TTY)	ACCESSORY TTY C-1729-G19
FORM ACCUMULATING SHELF, (15 TTY) TP-115765-AB	ACCESSORY TTY C-1729-G20
SHIELD, GLARE, TP-115740-AB (15 TTY)	ACCESSORY TTY C-1729-G21

NOTES

- ALL TTY MACHINES IN UNIVERSAL PLAN FURNISHED WITH "C" TYPE ARRANGEMENT ONLY. OTHER ARRANGEMENT MUST BE ORDERED ON "M" CODING PLAN.
- SERVICES NOT FURNISHED BY THIS PLAN MUST BE ORDERED ON "H" CODING PLAN.
- GREY GREEN FINISHED ASSEMBLIES ONLY ARE STOCKED FOR IMMEDIATE DELIVERY.
  - BROWN FINISH MAY BE OBTAINED BY SUFFIX (BROWN) TO BASIC TELETYPEWRITER SMT-CODE.

ORDERING EXAMPLE

SERVICE REQUIRED: #28 AC FRICTION FEED TELETYPEWRITER BATTERY STATION SWITCH MOTOR CONTROL WITH OFF-SET COPYHOLDER

ORDER	QUAN.	DESCRIPTION
{		SET TTY #28 C-6512-G-5 (NOTE 3b)
{		STRIP TTY C-6532-G-51
{		RECTIFIER C-1808-G-29
{		ACCESSORY C-1729-G-19

REVISED	APP.
11/12	WJ
12/3/57	WJ

ORDERING INFORMATION FOR UNIVERSAL CODING PLAN FOR #15, #19 & #28 TTY. TWP SERVICE

DATE 7/8/57	WJ
APPROVED	WJ

ES6511-1

ILLINOIS BELL TELEPHONE COMPANY

FIG-1  
15C BASE

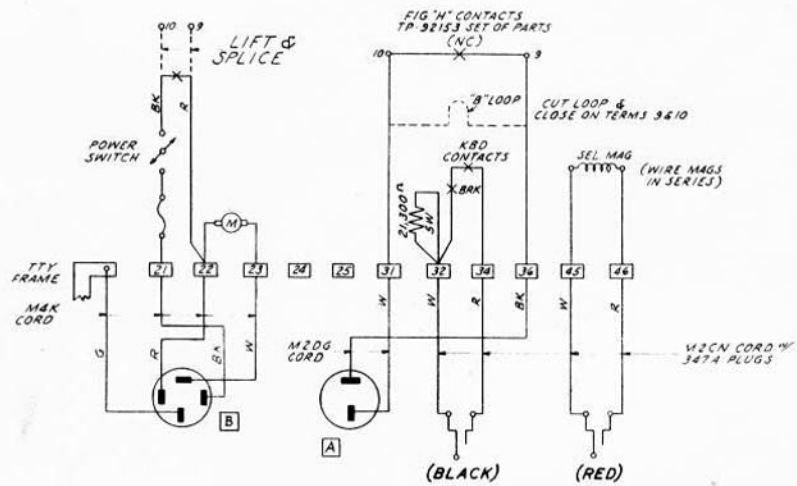


FIG-2  
TTY TABLE

TP-126287 ELECTRICAL SERVICE ASSEMBLY

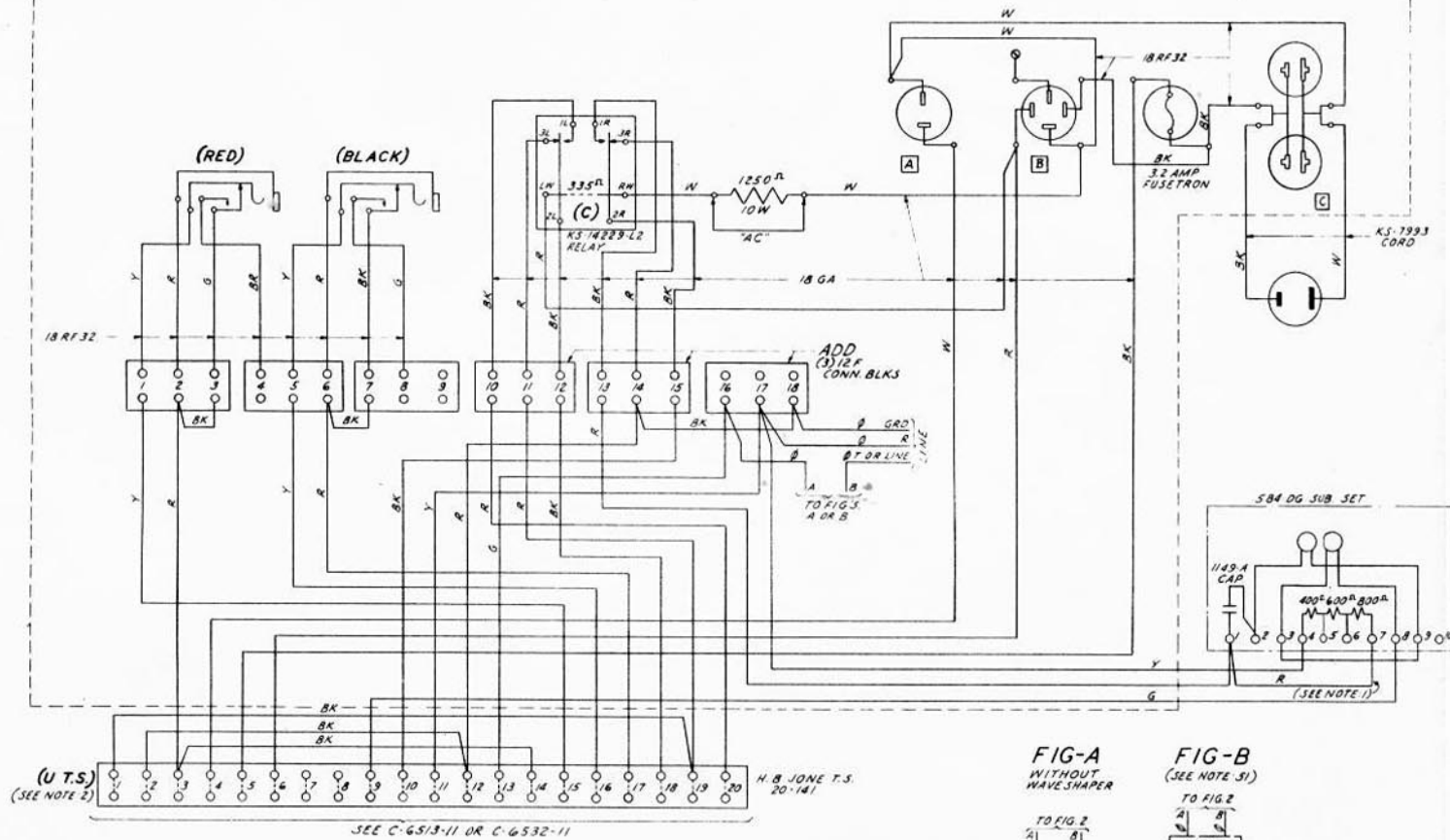


FIG-A  
WITHOUT  
WAVE SHAPER

FIG-B  
(SEE NOTE 51)  
WAVE SHAPER

NOTE: NOTES:-  
1 THIS LEAD TO BE RED #22 GA STRANDED 6" LONG 4W SPADE TERMINALS.  
2 TO BE STENCILED (U.T.S.)  
3 ALL WIRES TO BE #22 GA UNLESS OTHERWISE SPECIFIED

DRAFTSMAN R.W.W.  
ENGINEER J.W.S.  
APPROVED [Signature]  
DATE June 6 1957  
ISSUE 1

INST. NOTES:-  
51 WAVE SHAPER WHEN USED TO BE INSTALLED ON WALL ADJACENT TO TTY.  
52 # DENOTES LEADS TO BE RUN BY INSTALLER  
53 SEE C-6513-11 FOR ALL COMPONENT UNITS.

DRAWING INDEX FOR  
UNIVERSAL N° 15 TTY

TWX SERVICE SCHEMATICS	DRWG.
ATTENDED SL & SLX	C-6511-01
UNATTENDED SL & SLX	C-6511-02
ATTENDED TLX	C-6511-03
UNATTENDED TLX	C-6511-04
UNATTENDED FOR LINE CONCENTRATOR AND 43A1 CARRIER	C-6511-05
TWP SERVICE SCHEMATICS	DRWG.
BATTERY, LOOP OR GROUND STATION ELECT. MOTOR CONTROL	C-6511-010
BATTERY STATION SWITCH CONTROL	C-6511-011
LOOP OR GROUND STATION SW. CONTROL	C-6511-012
UNIVERSAL TTY UNITS	DRWG.
GROUPS 1, 2, 3 & 4	C-6511-11
GROUPS 9, 10, 11, 12, 13, 14, 28, 29, 30 & 31	C-6513-11
GROUPS 51, 52, 53	C-6532-11

TWX - TWP SYSTEM  
N° 15 TTY. UNIVERSAL SET  
GROUPS 1 THRU 4

ILLINOIS BELL TELEPHONE COMPANY  
ENGINEERING DEPARTMENT

CCT. N° C-6511-11  
FILE N° H-2646

# C-6511 UNIVERSAL 15 TTY

## NOTES:-

- 1 CUT STRAP WHEN COMM. POWER IS D.C.
- 2 BRIDGE 22000 Ω RES. (FURNISHED ON TERM. 32) ACROSS BREAK SWITCH WHEN TTY IS SERVED BY A LINE CONCENTRATOR; DO NOT CONNECT SIG. GRD.
- 3 TERMINATE AS REQUIRED.

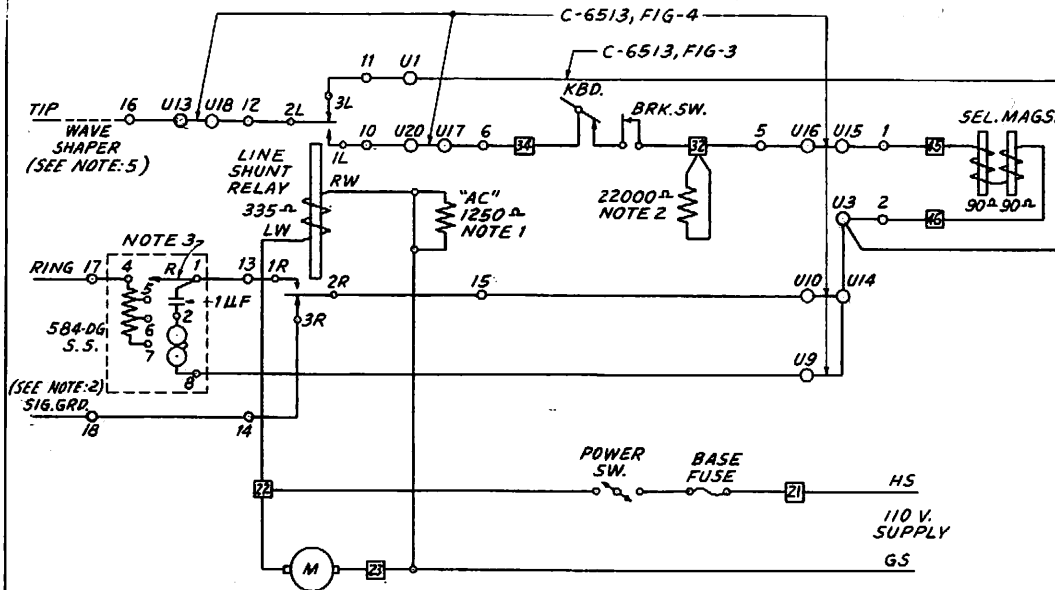
5 MOUNT WAVE SHAPER ON WALL.

## APPARATUS:-

THE FOLLOWING APPARATUS IS REPRESENTED ON THIS

## SCHEMATIC:-

QUAN.	DESCRIPTION	GRR NO.	WRG. DIAGRAM
1	BASIC #15 TTY	1, 2, 3 or 4	C-6511-11, FIG-1 & 2
1	CROSS-CONNECTING STRIP	12	C-6513-11, FIG-3
1	CROSS-CONNECTING STRIP	13	C-6513-11, FIG-4



DRAFTSMAN	W.C.P.
ENGINEER	J.P.Z.
APPROVED	K. J. W.
DATE	1 4 61
ISSUE-1	
ADDED NOTES 4 & 5	J.P.Z.
JUNE 12, 1957	R.W.L.
ISSUE-2	
NOTE 2 REVISED,	J.P.Z.
NOTE 4 DELETED,	R.W.P.
JAN. 2, 1960	
ISSUE-3	

TWX SYSTEM

UNIVERSAL 15 TTY  
ATTENDED: ZONE 1 & 2 (SL, SLX)  
SCHEMATIC

ILLINOIS BELL TELEPHONE COMPANY

ENGINEERING DEPARTMENT

CCT. N<sup>o</sup> C-6511-01  
FILE N<sup>o</sup> B-3152

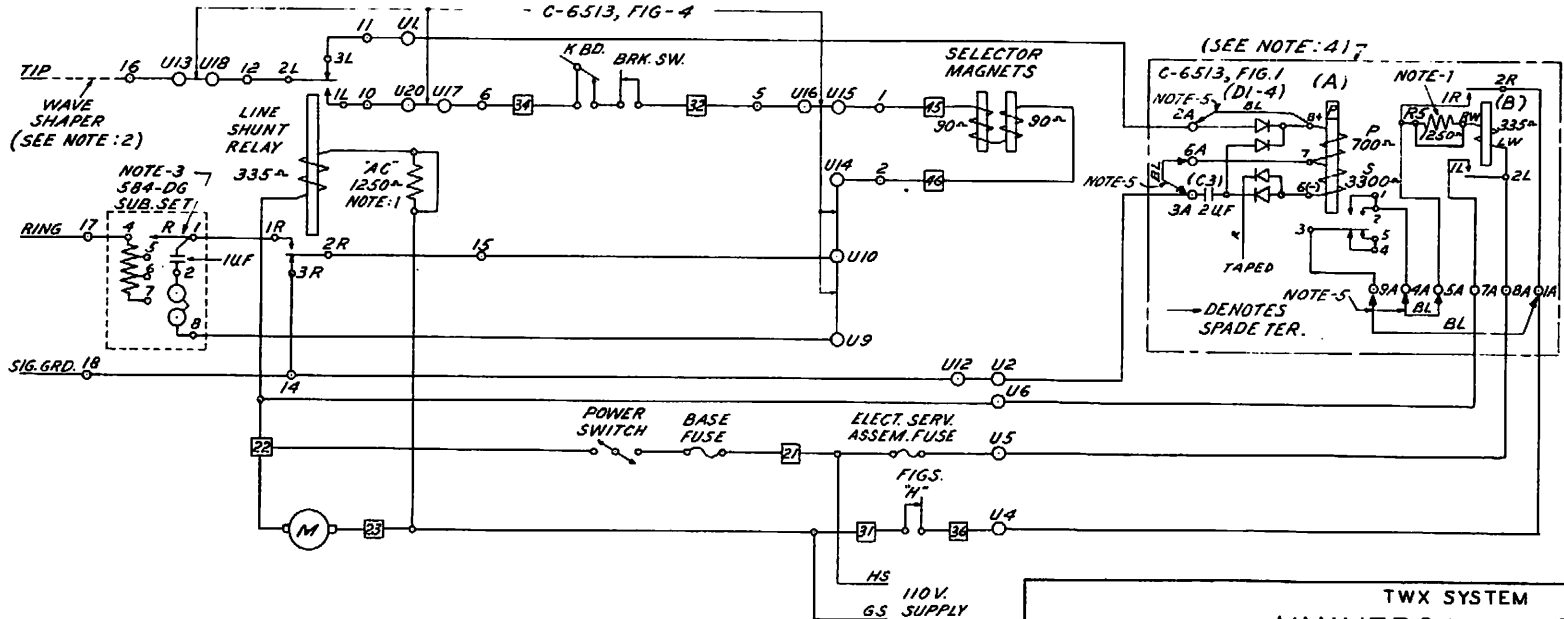
# C-6511 UNIVERSAL 15 TTY

- NOTES:**
1. CUT STRAPS (2) WHEN COMM. POWER IS D. C.
  2. MOUNT WAVE SHAPER ON WALL.
  3. TERMINATE AS REQUIRED.
  4. MOUNT THE UNATTENDED SUBSET (GRP 9) ON THE INSIDE RIGHT PANEL OF THE XRT 200 TABLE USING MOUNTING HOLES AND DETAILS PROVIDED ON TABLE.
  5. THESE STRAPS TO BE REMOVED WHEN GROUP 10 IS FURNISHED.

**APPARATUS:**  
THE FOLLOWING APPARATUS IS REPRESENTED ON THIS SCHEMATIC:

QUAN.	DESCRIPTION	GRP. NO.	WRG. DIAGRAM
1	BASIC 15 TTY	1, 2, 3 OR 4	C-6511-11, FIG-1 & 2
1	UNATTENDED SUB. SET	9	C-6513-11, FIG-1
1	CROSS-CONNECTING STRIP	13	C-6513-11, FIG-4

DRAFTSMAN J.E.  
 ENGINEER J.R. H.L.  
 APPROVED J.R. H.L.  
 DATE 6-12-57  
 ISSUE-1  
 DRAWING BROUGHT UP TO DATE JUNE 12, 1957 ISSUE-2  
 ADDED NOTE-5 JULY 3, 1957 ISSUE-3



TWX SYSTEM  
**UNIVERSAL 15 TTY**  
 UNATTENDED: ZONE 1 & 2 (SL, SLX)  
 EXCEPT 43A1 CARRIER AND 101A & 102A CONCENTRATOR  
 SCHEMATIC

ILLINOIS BELL TELEPHONE COMPANY  
 ENGINEERING DEPARTMENT

CCT. N<sup>o</sup> C-6511-02  
 FILE N<sup>o</sup> B-3156

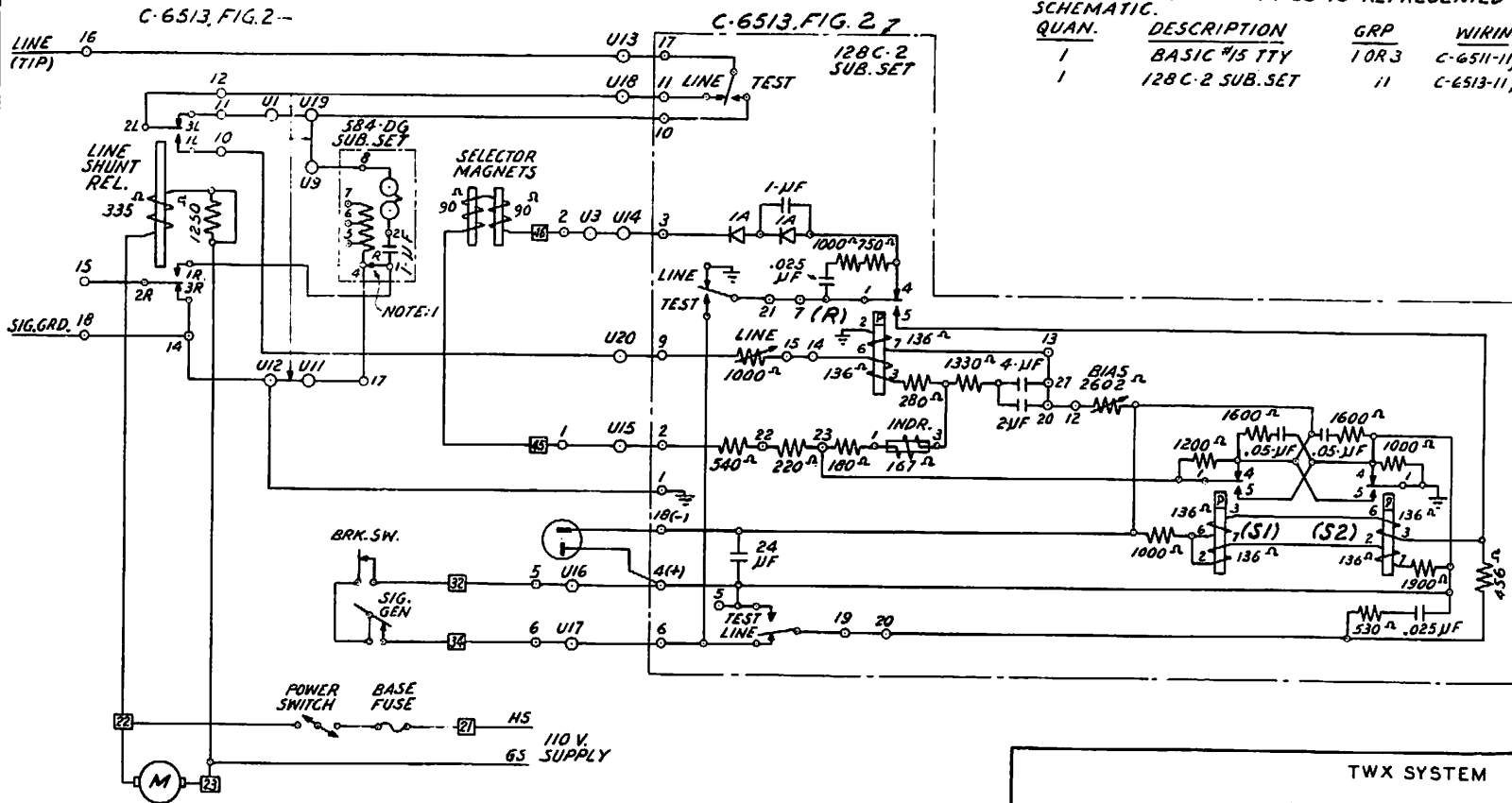
C-6511 UNIVERSAL 15 TTY

- NOTES :-  
 1. CONNECT TO TERMINAL 4  
 2. MOUNT THE 128 C-2 SUB.SET. (GRP. 11) ON THE LEFT HAND SIDE OF THE XRT 200 TABLE USING MOUNTING HOLES AND DETAILS PROVIDED ON TABLE

DRAFTSMAN G.J.L.  
 ENGINEER *[Signature]*  
 APPROVED *[Signature]*  
 DATE *[Date]*  
 ISSUE: 1  
 DRAWING BROUGHT UP TO DATE: JUNE 12, 1957  
 ISSUE: 2

APPARATUS - THE FOLLOWING APPARATUS IS REPRESENTED ON THIS SCHEMATIC.

QUAN.	DESCRIPTION	GRP	WIRING DIAGRAM
1	BASIC #15 TTY	10R3	C-6511-11, FIG.1 & 2
1	128 C-2 SUB.SET	11	C-6513-11, FIG.2



TWX SYSTEM  
 UNIVERSAL 15 TTY  
 ATTENDED: TLX  
 SCHEMATIC

ILLINOIS BELL TELEPHONE COMPANY	CCT. N° C-6511-03
ENGINEERING DEPARTMENT	FILE N° B-3159

C-6511 UNIVERSAL 15 TTY

- NOTES:
- CONNECT TO TERMINAL 4
  - 12B C-2 SUBSET:  
MOUNT THE 12B C-2 SUB SET (GRP 11) ON THE LEFT HAND SIDE OF THE XRT 200 TABLE USING MOUNTING HOLES AND DETAILS PROVIDED ON TABLE.
  - UNATTENDED SUB SET  
MOUNT THE TLX APPLIQUE (GRP 10) ON THE #105 APPARATUS BOX BASE (GRP 9) REMOVE AND DISCARD THREE BLUE STRAPS FROM THE TERMINAL STRIP OF GRP. 9 AS FOLLOWS: (TERMINALS) 3A TO 6A, 4A TO 5A, 1A TO 9A. AT TERM. 2A; DISCONN. & TAPE BLUE LEAD AND CONN. RED LEAD. CONNECT THE FIVE LEADS FROM TERM. STRIP OF GRP. 10 TO THE TERM. STRIP OF GRP. 9 AS FOLLOWS:

COLOR	GRP. 10 TERM.	GRP. 9 TERM.
BR	9B	8A
GR	8B	5A
S	10B	1A
BL	3B	4A
O	4B	9A

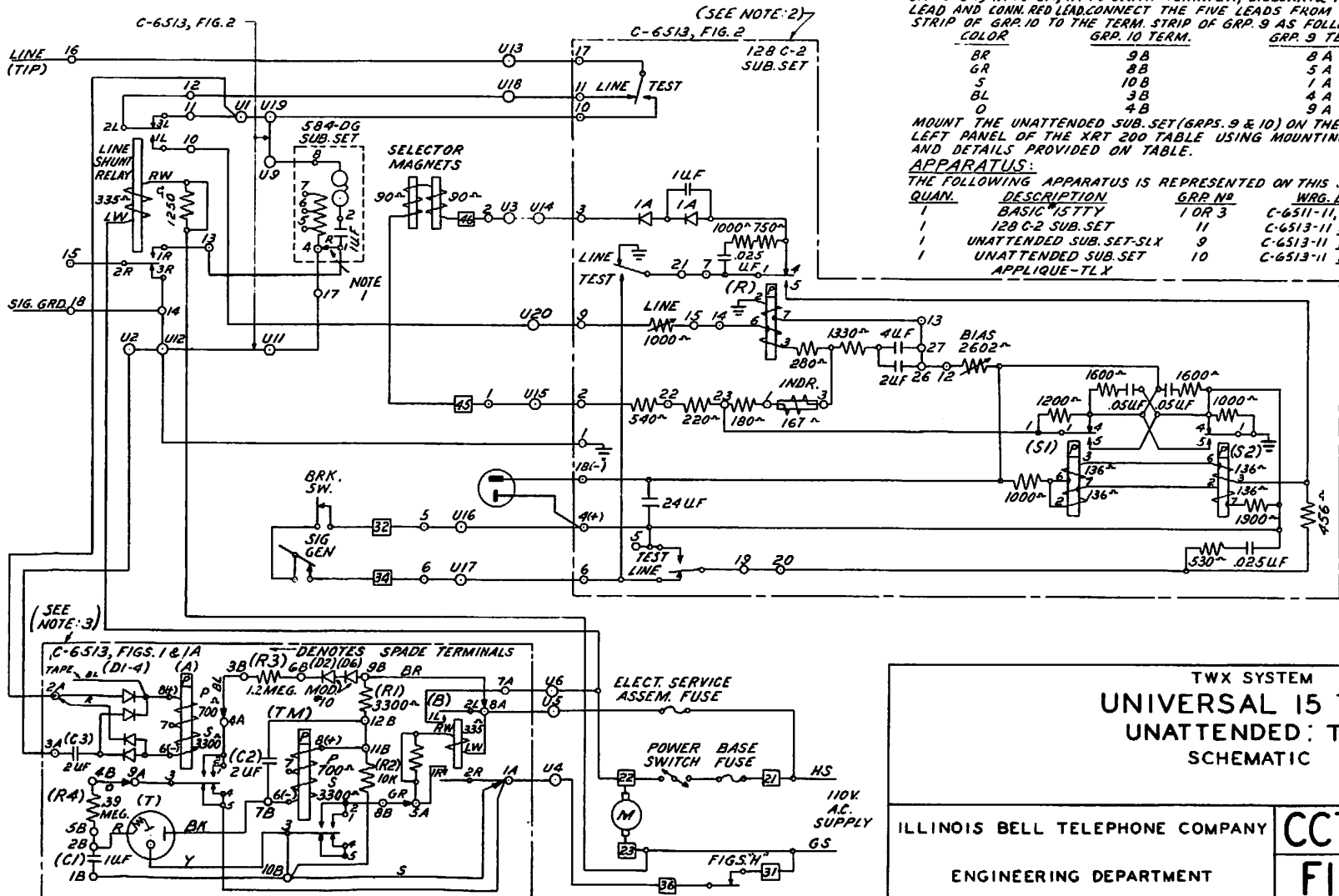
MOUNT THE UNATTENDED SUB SET (GRPS. 9 & 10) ON THE INSIDE LEFT PANEL OF THE XRT 200 TABLE USING MOUNTING HOLES AND DETAILS PROVIDED ON TABLE.

APPARATUS:

THE FOLLOWING APPARATUS IS REPRESENTED ON THIS SCHEMATIC:

QUAN.	DESCRIPTION	GRP. NO.	WRG. DIAGRAM
1	BASIC 15 TTY	1 OR 3	C-6511-11, FIGS. 1 & 2
1	12B C-2 SUB SET	11	C-6513-11, FIG. 2
1	UNATTENDED SUB SET-SLX	9	C-6513-11, FIG. 1
1	UNATTENDED SUB SET	10	C-6513-11, FIG. 1A

DRAFTSMAN J.C.  
 ENGINEER J.S.  
 APPROVED J.S.  
 DATE 12-1-57  
 ISSUE - 1  
 DRAWING BROUGHT UP TO DATE JTD  
 JUNE 12, 1957 ISSUE: 2 RWL



TWX SYSTEM  
 UNIVERSAL 15 TTY  
 UNATTENDED: TLX  
 SCHEMATIC

ILLINOIS BELL TELEPHONE COMPANY  
 ENGINEERING DEPARTMENT

CCT. N° C-6511-04  
 FILE N° B-3158

# C-6511 UNIVERSAL 15 TTY

APPARATUS:  
THE FOLLOWING APPARATUS IS REPRESENTED ON THIS SCHEMATIC.

QUAN	DESCRIPTION	GRP.#	WRG DIAGRAM
1	BASIC 15 TTY	10R2 OR 30R4	C-6511-11, FIGS. 1 & 2
1	UNATTENDED SUBSET	9	C-6513-11, FIG. 1
1	UNATTENDED SUBSET APPLIQUE	10	C-6513-11, FIG. 1A
1	CROSS CONNECTING STRIP	13	C-6513-11, FIG. 4

NOTES -

- BRIDGE 22000<sup>n</sup> RES. (FURNISHED ON TERM. 32) ACROSS BREAK SWITCH WHEN TTY IS SERVED BY A LINE CONCENTRATOR; DO NOT CONNECT SIG. GRD.
- TERMINATE RED LEAD AS REQUIRED. STRAP TERMINALS 1 & 2 OF 584-DG SUB SET.
- UNATTENDED SUB-SET.

MOUNT THE APPLIQUE (GRP.10) ON THE 105 APPARATUS BOX BASE (GRP.9) REMOVE AND DISCARD THREE BLUE STRAPS FROM THE TERMINAL STRIP OF GRP.9 AS FOLLOWS: (TERMINALS) 3A TO 6A, 4A TO 5A, 1A TO 9A. AT TERM. 2A; DISCONN. & TAPE BLUE LEAD AND CONNECT RED LEAD. CONNECT THE FIVE LEADS FROM TERM. STRIP OF GRP.10 TO THE TERM. STRIP OF GRP.9 AS FOLLOWS:

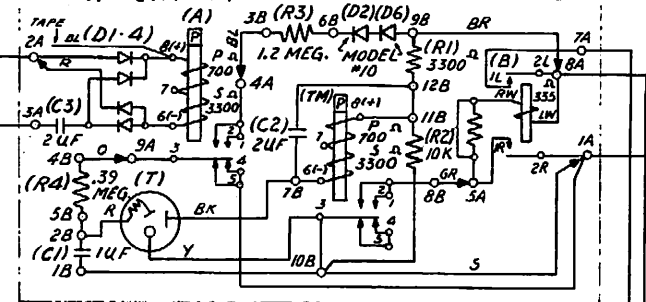
COLOR	GRP.10 TERM.	GRP.9 TERM.
BR	9B	8A
GR	8B	5A
S	10B	1A
BL	3B	4A
O	4B	9A

- MOUNT THE UNATTENDED SUB-SET (GRPS. 9 & 10) ON THE INSIDE RIGHT PANEL OF THE XRT 200 TABLE USING MOUNTING HOLES AND DETAILS PROVIDED ON TABLE.
- MOUNT WAVE SHAPER ON WALL.

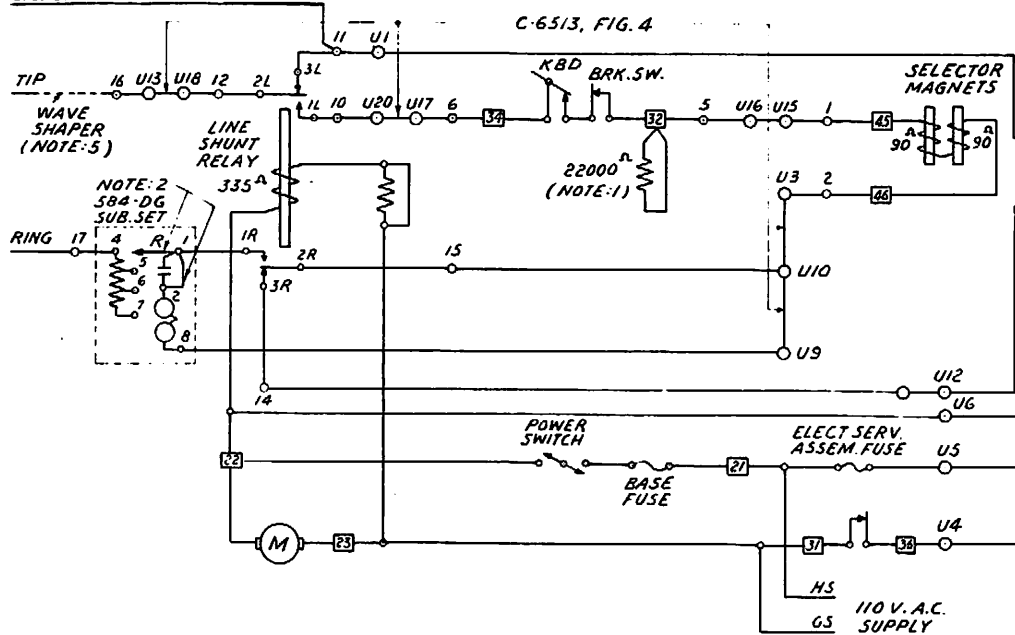
(SEE NOTE-3)

C-6513, FIGS. 1 & 1A

DENOTES SPADE TERMINALS



(SEE NOTE 1)  
SIG. GRD



DRAFTSMAN: G.J.L.  
ENGINEER: R.W.K.  
APPROVED: H.S. KISTNER  
DATE: 6/17/57

ISSUE: 1

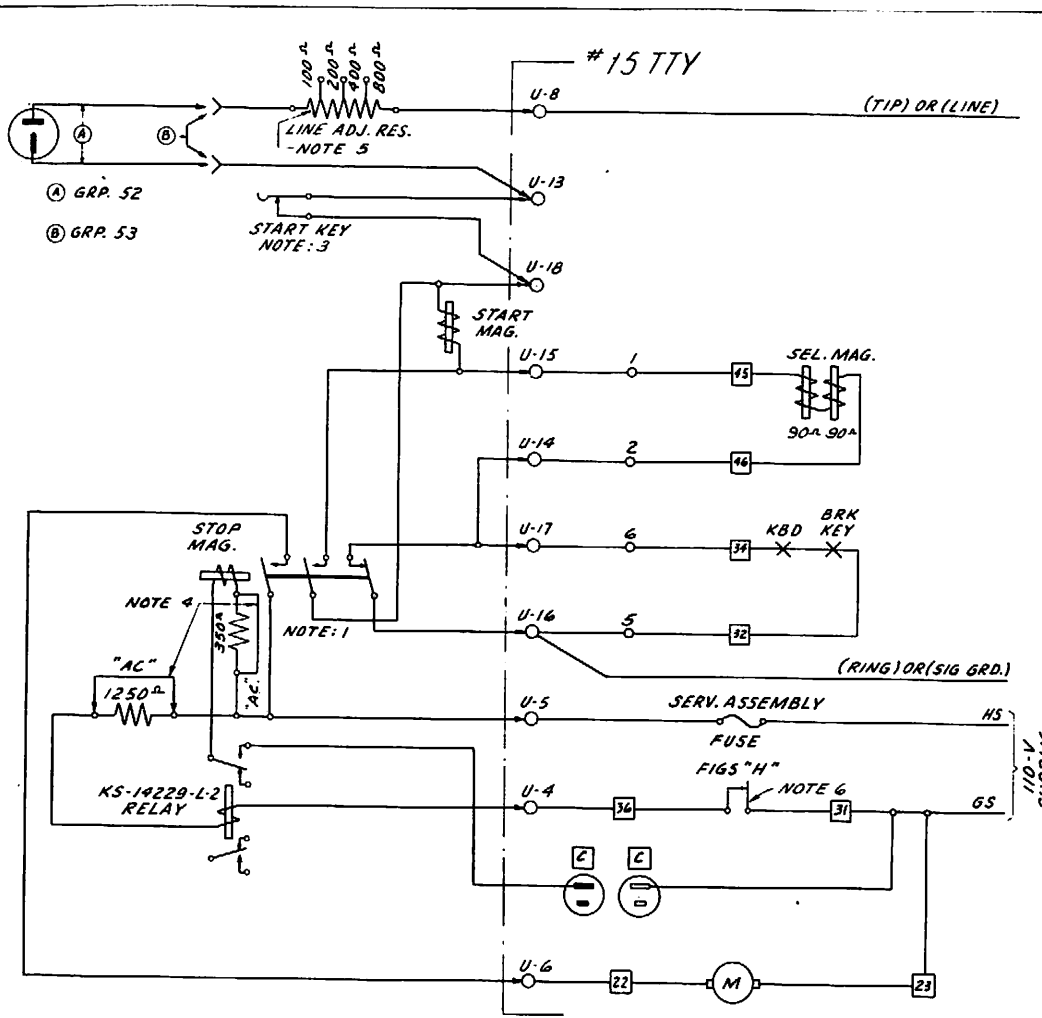
SIG. GRD ADDED AND REF TO SAME ADDED IN NOTE-1  
JAN. 2, 1958. ISSUE 2

TWX SYSTEM  
**UNIVERSAL 15 TTY**  
UNATTENDED: ZONE 1 & 2 (SL, SLX)  
FOR 43AI CARRIER AND 101A & 102A CONCENTRATOR ONLY  
SCHEMATIC

ILLINOIS BELL TELEPHONE COMPANY  
ENGINEERING DEPARTMENT

CCT. N° C-6511-05  
FILE N° B-3150





GROUP 52 OR 53  
 SEE P. 32003 & P. 36476 FOR  
 REQ. & OPER. OF ELECTRICAL  
 MOTOR CONTROL RELAY

- NOTES:
- CONTACTS HELD OPERATED, WHEN MACHINE IS OFF, BY MECHANICAL LOCK.
  - MOUNT GROUP 52 OR 53 UNIT ON THE INSIDE RIGHT PANEL OF XRT 200 TABLE USING MOUNTING DETAILS PROVIDED.
  - INSTALL IN HOLE PROVIDED IN FRONT RIGHT LEG OF XRT 200 TABLE.
  - CUT STRAPS (2) WHEN COMM. POWER IS D. C.
  - STRAP TO OBTAIN REQ'D. LINE CURRENT.
  - STOPS ON "FIGS' BLANK 'H."

APPARATUS:  
 THE FOLLOWING APPARATUS IS REPRESENTED ON THIS SCHEMATIC:

QUAN.	DESCRIPTION	GRP. NO	WRG DRWG.
1	BASIC #15 TTY	1 TO 4	C-6511-11, FIG 1 & 2
1	SUBSET MOTOR CONTROL (52) OR (53)	(52) OR (53)	C-6532-11, FIG 2 OR 3
(AC) 1	RECTIFIER KS-5663-L7	29	C-6513-11, FIG 6
(DC) 1	EXT. CORD	31	C-6513-11, FIG 8

DRAFTSMAN L. W. Z.  
 ENGINEER *[Signature]*  
 APPROVED *[Signature]*  
 APPROVED *[Signature]*  
 DATE 7-23-57  
 ISSUE 1

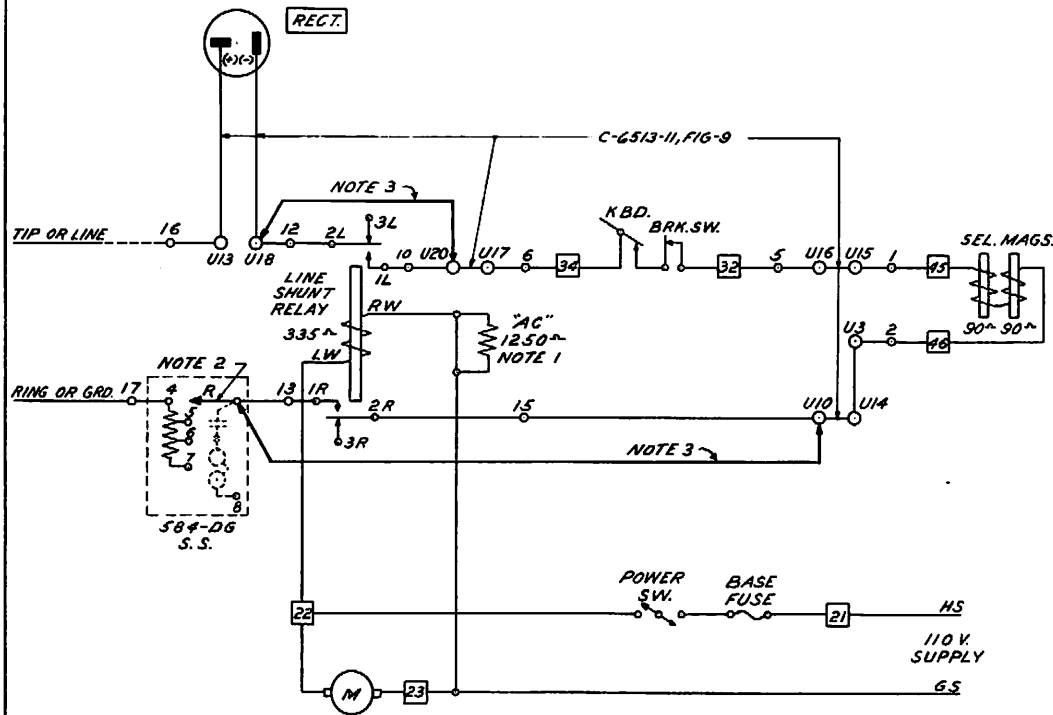
DRG BROUGHT UP TO DATE 250  
 4 NOTES 2-4 5  
 AUG. 15, 1957 ISSUE 2 RWL  
 ADDED NOTE 6  
 DEC. 16, 1957 ISSUE 3 110

TWP SYSTEM  
 UNIVERSAL #15 TTY  
 BATTERY, LOOP OR GROUND STATION PL  
 WITH ELECTRICAL MOTOR CONTROL

ILLINOIS BELL TELEPHONE COMPANY  
 ENGINEERING DEPARTMENT

CCT. N° C-6511-010  
 FILE N° B-3172

# C-6511 UNIVERSAL 15 TTY



## NOTES:

1. CUT STRAP WHEN COMM. POWER IS D. C.
2. TERMINATE AS REQUIRED.
3. INSTALL TO ELIMINATE FALSE CHARACTERS WHEN STARTING.

## APPARATUS:

THE FOLLOWING APPARATUS IS REPRESENTED ON THIS SCHEMATIC:

QUAN.	DESCRIPTION	GRG. N <sup>o</sup> .	WRG. DIAGRAM
1	BASIC *15 TTY	1, 2, 3 OR 4	C-6511-11, FIG. 1 & 2
1	CROSS-CONNECTING STRIP	51	C-6513-11, FIG. 9
(AC) 1	RECTIFIER MS-S663-L7	29	C-6513-11, FIG. 6
(DC) 1	EXT. CORD	31	C-6532-11, FIG. 8

DRAFTSMAN: J.F.  
 ENGINEER: P.W. J.P.S.  
 APPROVED: [Signature]  
 APPROVED: P. J. Rank  
 DATE: 7-23-57

## ISSUE-1

ORG. BROUGHT UP TO DATE  
 AUG. 15, 1957 ISSUE 2  
 C-6513-11, FIG. 9 FORM 11  
 SHOWN AS C-6532-11, FIG. 1  
 FROM 10/1957 ISSUE 3  
 ADDED STRAPS BY NOTE 3  
 DEC. 14, 1957 ISSUE 4

TWP SYSTEM

UNIVERSAL 15 TTY PL.  
 BATTERY STATION SWITCH CONTROL

SCHEMATIC

ILLINOIS BELL TELEPHONE COMPANY

CCT. N<sup>o</sup> C-6511-011

ENGINEERING DEPARTMENT

FILE N<sup>o</sup> B-3147

C-6511 UNIVERSAL 15 TTY

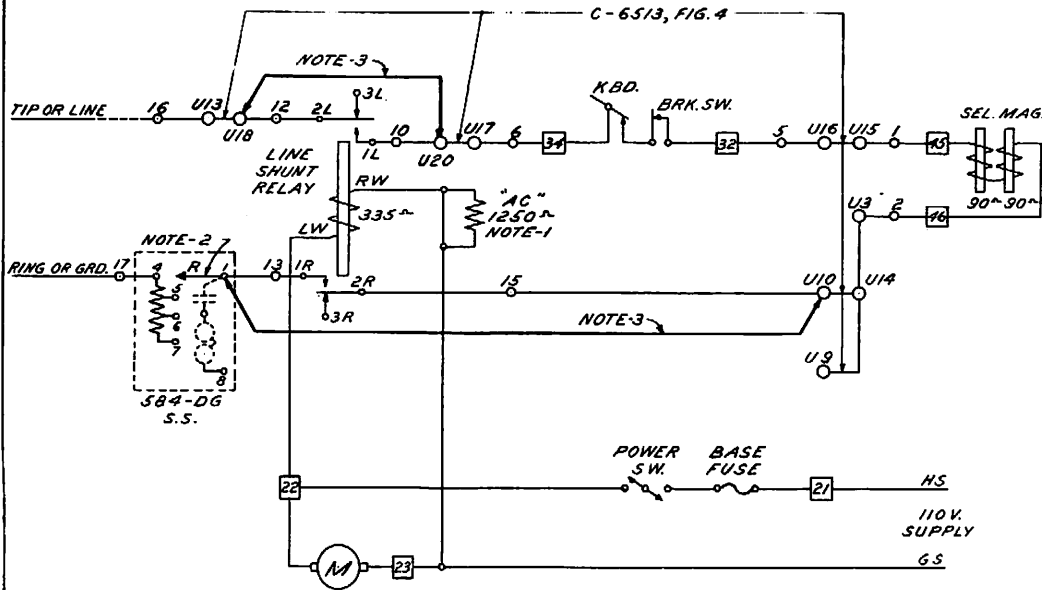
NOTES:  
 1. CUT STRAP WHEN COMM. POWER IS D.C.  
 2. TERMINATE AS REQUIRED.  
 3. INSTALL TO ELIMINATE FALSE CHARACTERS WHEN STARTING.

DRAFTSMAN J.E.  
 ENGINEER J.P. RMC  
 APPROVED [Signature]  
 APPROVED [Signature]  
 DATE 1/26/57

APPARATUS:  
 THE FOLLOWING APPARATUS IS REPRESENTED ON THIS SCHEMATIC:

QUAN	DESCRIPTION	GRR. NO.	WRG. DIAGRAM
1	BASIC 15 TTY	1, 2, 3 OR 4	C-6511-11, FIG. 1 & 2
1	CROSS-CONNECTING STRIP	13	C-6513-11, FIG. 4

ISSUE-1  
 DRG BROUGHT UP TO DATE 270  
 AUG 15, 1957 13 SUE 2 94.1  
 ADDED STRAPS & NOTE: 3 110  
 DEC. 16, 1957 13 SUE: 3



TWP SYSTEM  
 UNIVERSAL 15 TTY PL  
 LOOP OR GROUND STATION SWITCH CONTROL

SCHEMATIC

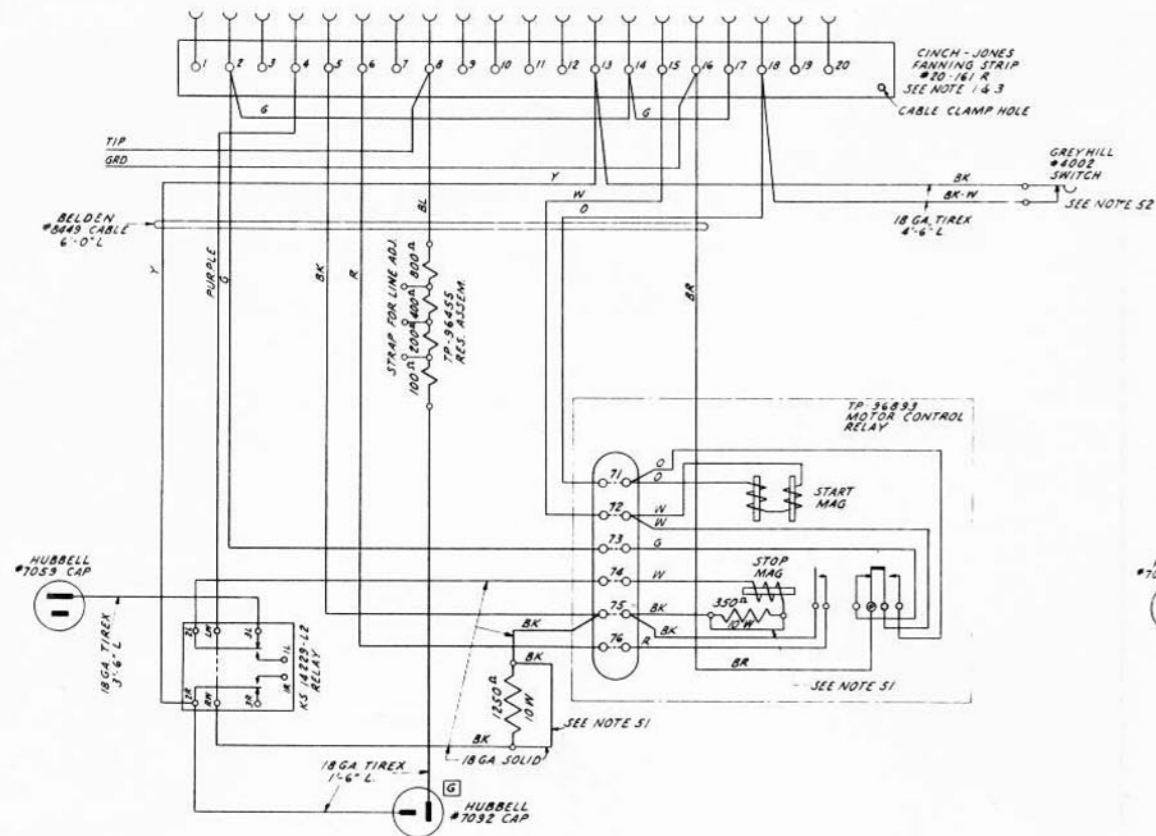
ILLINOIS BELL TELEPHONE COMPANY

ENGINEERING DEPARTMENT

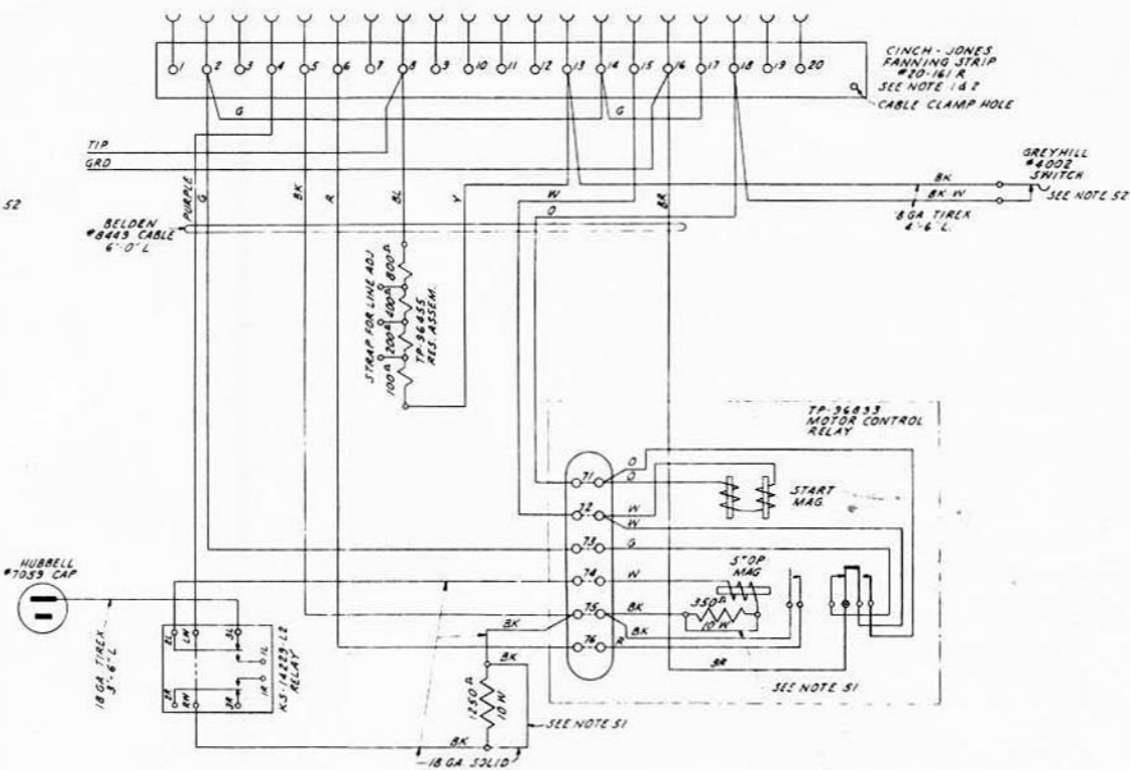
CCT. N° C-6511-012

FILE N° B-3176

**FIG-2, GRP 52  
BATTERY STATION  
WITH MOTOR CONTROL**



**FIG-3, GRP 53  
LOOP OR GROUND STATION  
WITH MOTOR CONTROL**



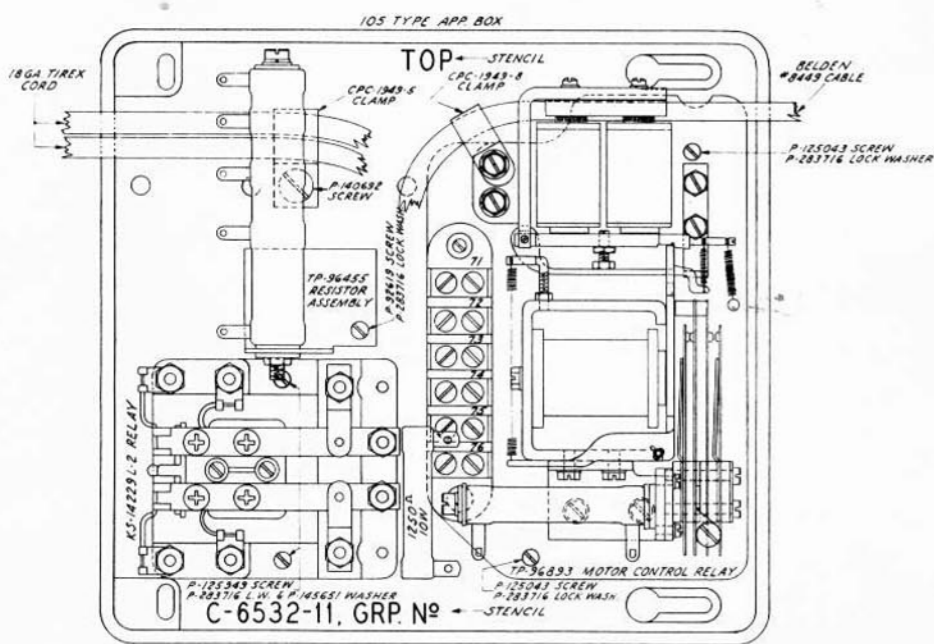
**MFG NOTES:-**  
 1. FLATTEN CLAMPING EARS ON ALL FANNING STRIP TERMINALS AND STENCIL TERMINALS AS SHOWN.  
 2. STENCIL C-6532 GRP 53 ON REAR OF FANNING STRIP.  
 3. STENCIL C-6532 GRP 52 ON REAR OF FANNING STRIP.

DRAFTSMAN: R.W.V.  
 ENGINEER: J.D. B.W.  
 APPROVED: C. S. ...  
 DATE: ...  
 ISSUE 1  
 DATE: ...  
 ISSUE 2  
 DATE: ...  
 ISSUE 3  
 DATE: ...  
 ISSUE 4  
 DATE: ...

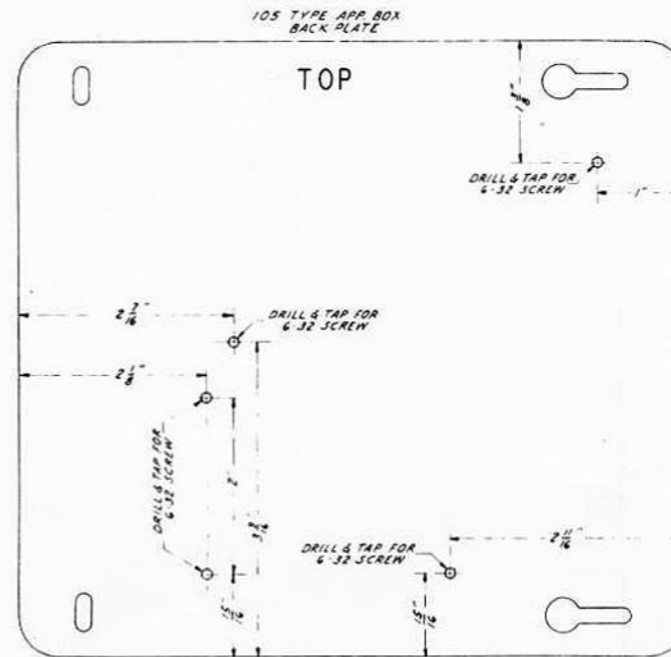
**INST NOTES:-**  
 S1 REMOVE THESE STRAPS WHEN COMM POWER IS D.C.  
 S2 MOUNT SWITCH IN FRONT RIGHT HAND LEG OF TABLE ON XRT 100 AND XRT 205 TABLES.  
 MOUNT SWITCH IN PLACE OF LEFT HAND ORAL IN COVER OF 428 TTY.

SCHEMATICS			
№ 15 TTY	№ 19 TTY	№ 28 TTY	GROUP №
C-6511-011	C-6529-011	C-6512-011	51
C-6511-010	C-6529-010	C-6512-010	52
C-6511-010	C-6529-010	C-6512-010	53
C-6512-0-2	C-6529-012	C-6512-012	13 (SEE C-6513-1)

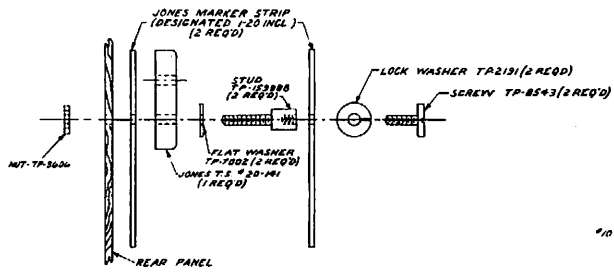
**SKETCH-A**



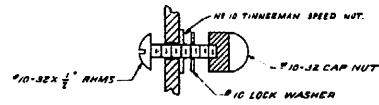
**SKETCH-B**



TWP SYSTEM  
 P L SUBSETS  
 FOR UNIVERSAL №15, №19 AND №28 TTY  
 GROUPS 52 AND 53  
 ILLINOIS BELL TELEPHONE COMPANY  
 ENGINEERING DEPARTMENT  
**CCT. №C-6532-11**  
**FILE №H-2636**



JONES TERM STRIP ASSEMBLY  
EXPLODED VIEW

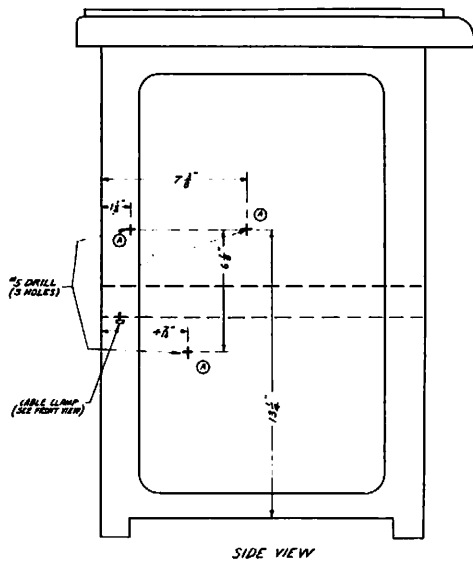


ASSEMBLY TO BE FURNISHED  
ON ALL DRILLED HOLES MARKED (C)

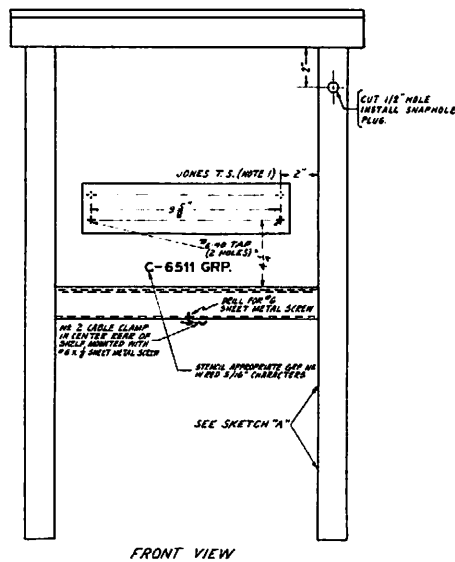
NOTE: 1. STAKE ALL TERMINAL SCREWS ON JONES STRIP BEFORE ASSEMBLY

DRAFTSMAN *K.P.*  
ENGINEER *H.W. J...*  
APPROVED \_\_\_\_\_  
CHICAGO AREA \_\_\_\_\_  
STATE AREA \_\_\_\_\_  
DATE *1/11/67*  
ISSUE: 1  
DRAWN: *1/11/67*  
REVISEMENT UP TO DATE  
DATE: *1/11/67*  
REV: *1*

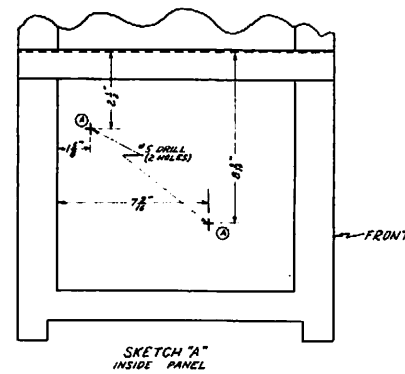
XRT 200AB TABLE



SIDE VIEW



FRONT VIEW

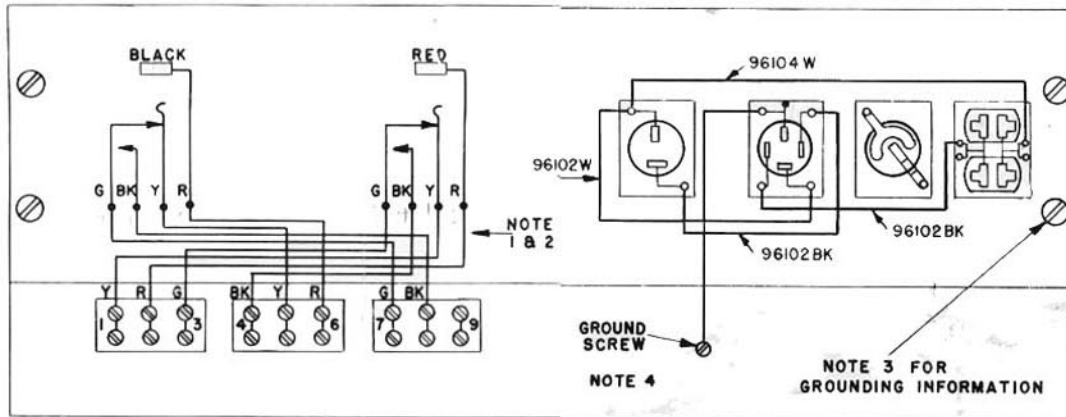


SKETCH "A"  
INSIDE PANEL

TWP - TWX SYSTEMS  
MOUNTING DETAILS & ASSEMBLIES  
FOR UNIVERSAL #15 TTY  
NO SCALE  
ILLINOIS BELL TELEPHONE COMPANY  
ENGINEERING DEPARTMENT  
E-3474

NO.	NOTES
1	<p>WIRE COLOR CODE AND SYMBOLS. MAY BE SOLID COLOR OR TRACERS IN WHITE WIRE.</p> <p>Y YELLOW R RED G GREEN BK BLACK</p>
2	<p>ASSOCIATED CABLE.</p> <p>_____ 117776 ELECTRICAL SERVICE UNIT CABLE. CONNECTORS SHOWN FROM SLOT SIDE.</p>
3	<p>TO GROUND ELECTRICAL SERVICE UNIT TO TABLE FRAME, IMMEDIATELY PRIOR TO INSTALLATION OF UNIT TO TABLE, REMOVE PAINT FINISH FROM THE OUTSIDE (REAR) SURFACE OF THE TABLE AROUND ONE OF THE MOUNTING HOLES OVER A SUFFICIENT AREA TO INSURE GOOD METALLIC CONTACT BETWEEN TABLE AND NUMBER 2846 WASHER SUPPLIED WITH SERVICE UNIT.</p>
4	<p>TO GROUND 4 WIRE RECEPTACLE TO ELECTRICAL SERVICE UNIT REMOVE PAINT FINISH AROUND 10-32 TAPPED HOLE PROVIDED ON PLATFORM FOR APPROXIMATELY 7/16 IN DIAMETER</p>

REVISIONS:		
A	4-28-48	44399
B	9-22-48	45509
C	11-23-48	45997



WD 2504-C  
11-14-47

WIRING DIAGRAM  
ELECTRICAL SERVICE  
UNIT 117852

DRAWN: L.A. *ews* APPROVED: *A.S.B.*  
ENGR'D: R.L. *R.L.*  
FILE: 4-AA156A

TELETYPE  
CORPORATION

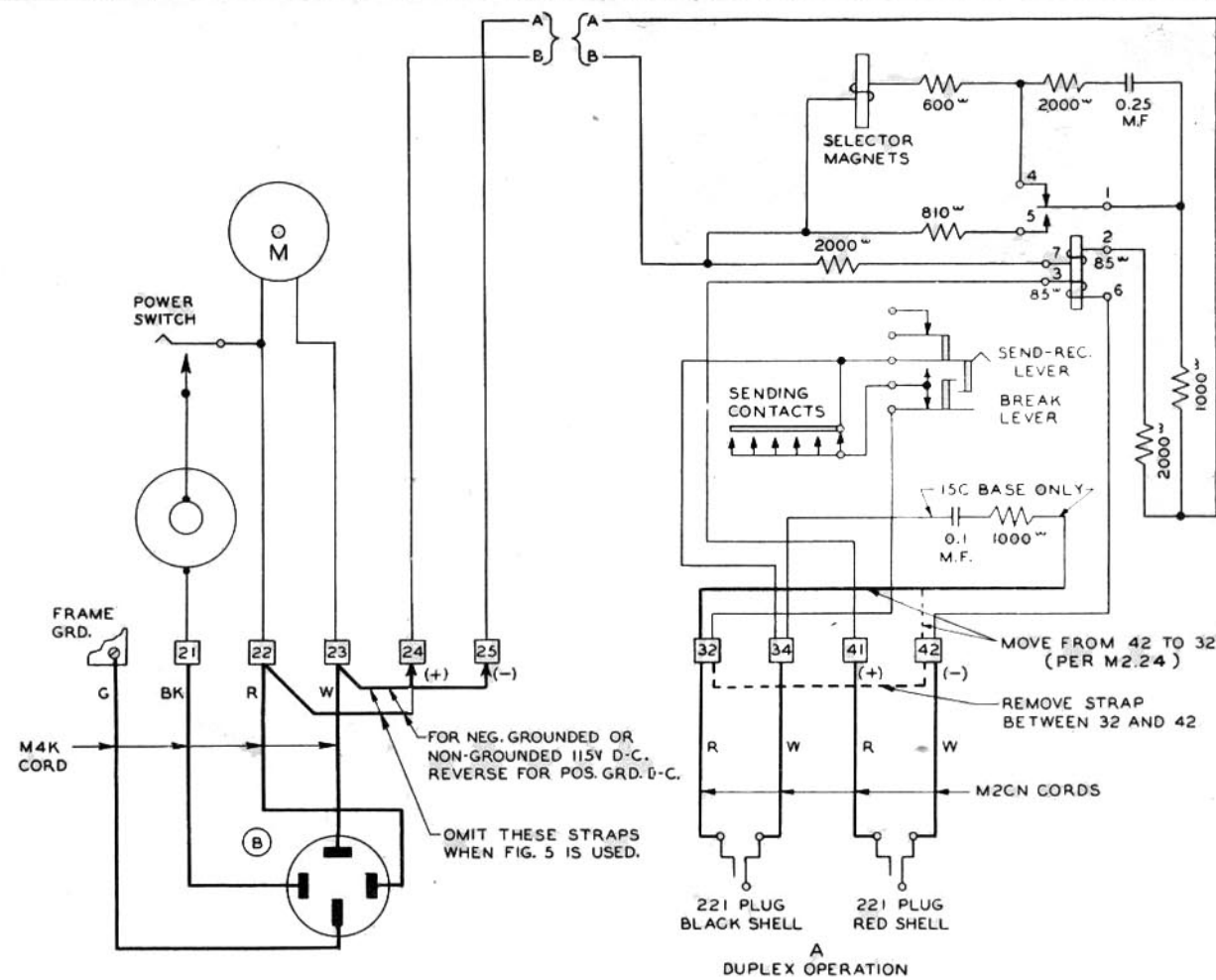


FIG. 3  
POWER CONNECTIONS TO NO. 15 TELETYPEWRITER

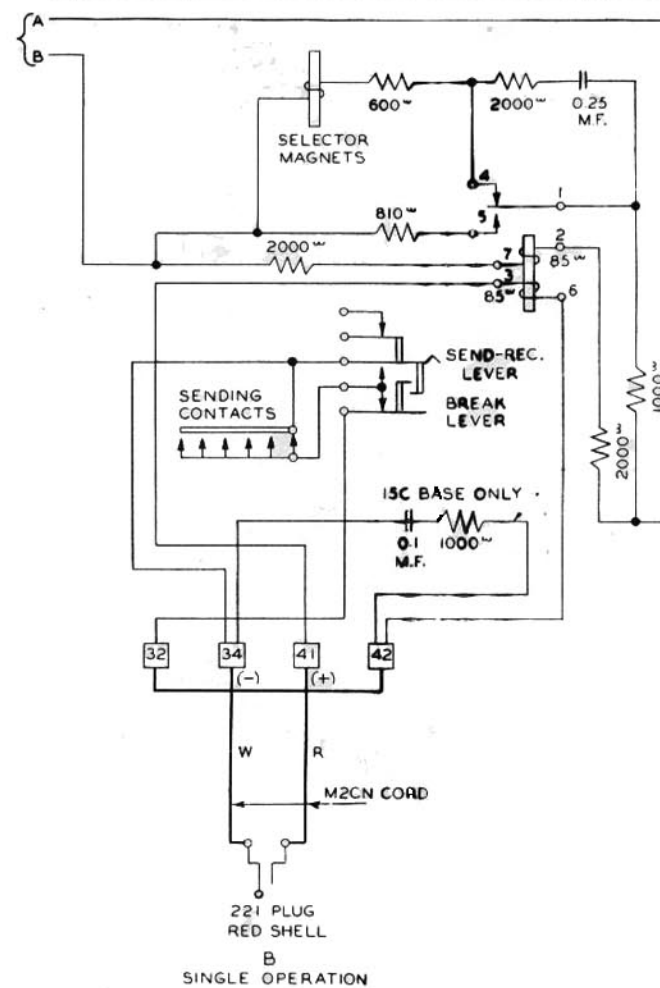


FIG. 4  
LINE CONNECTIONS TO NO. 15 TELETYPEWRITER-WITH LINE RELAY

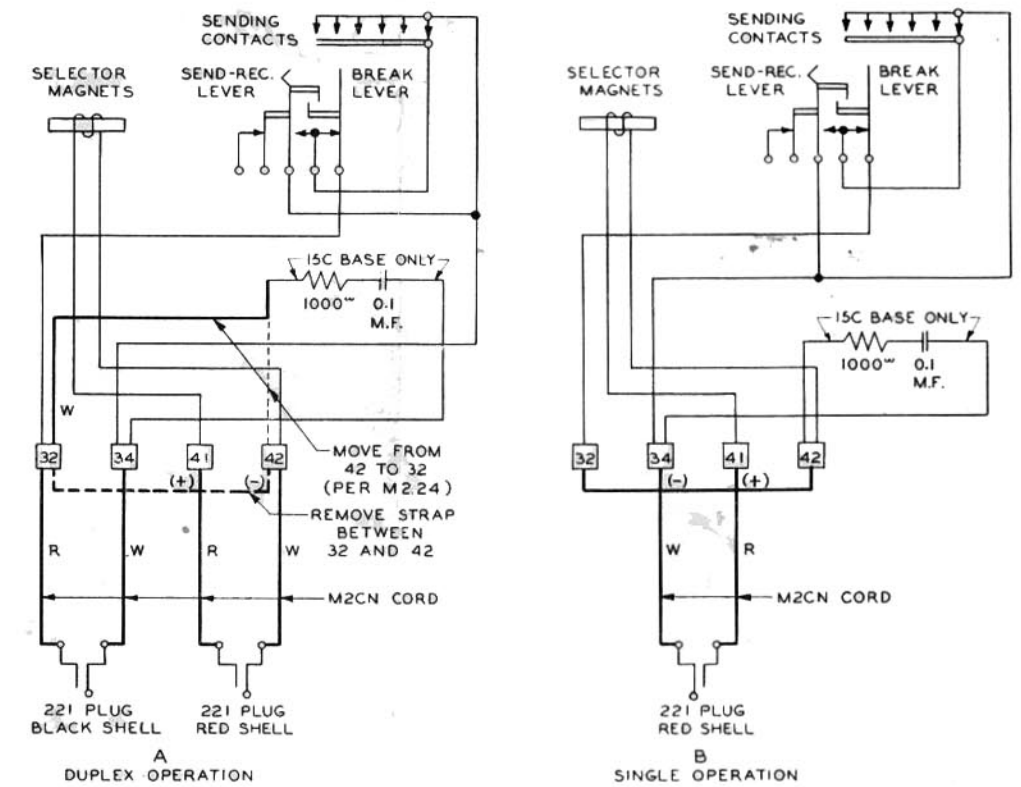


FIG. 5  
LINE CONNECTIONS TO NO. 15 TELETYPEWRITER-WITHOUT LINE RELAY

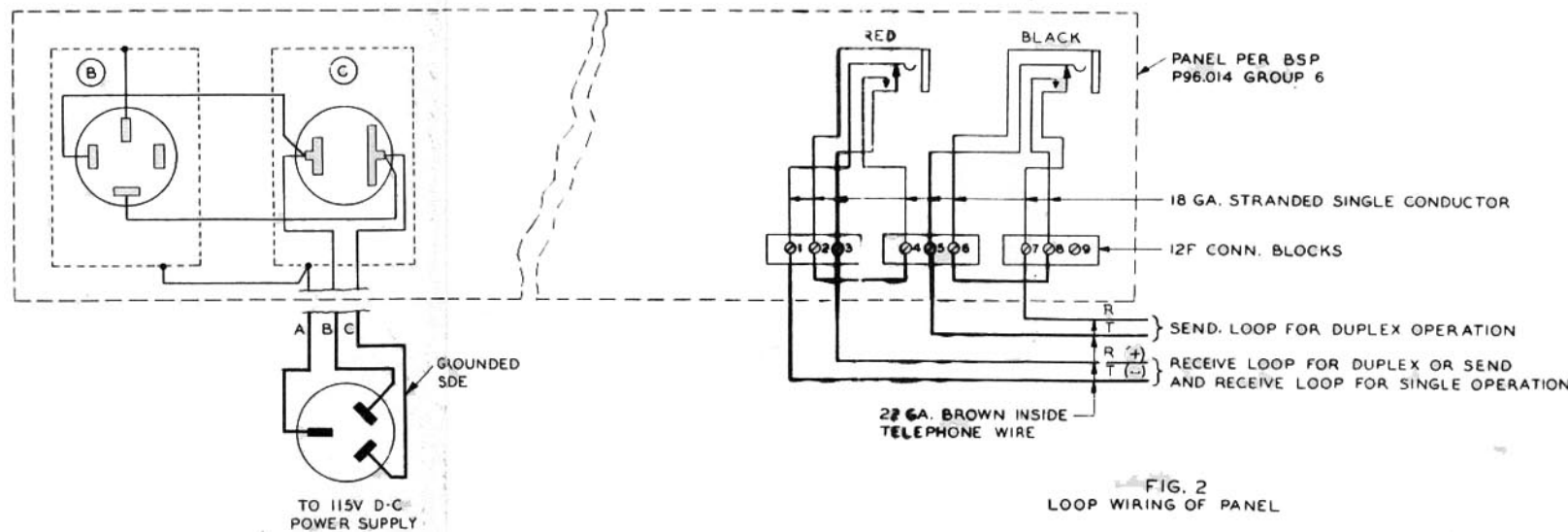


FIG. 1  
POWER WIRING OF PANEL

FIG. 2  
LOOP WIRING OF PANEL

SEE SECTION P96.024 OR P96.014 FOR  
DETAILS OF POWER AND LOOP PANEL.

SEE SECTION P96.015 FOR ARRANGEMENT  
OF CUSTOMER TABLE.

NOTE 1-USE SAME WIRING FOR 1178521 ELEC.  
SERV. ASSEMBLY.

TYPE	POWER DRAINS (AMPS.)	
	D-C DRAIN	D-C SHUNT
MOTOR	START	RUN
D-C SHUNT	4.6	0.6

TELEGRAPH SYSTEMS  
NO. 15 TELETYPEWRITER  
TELETYPEWRITER STATIONS  
PRIVATE LINE SERVICE  
CUSTOMER PROVIDED TABLE  
WIRING OF POWER AND LOOP PANEL  
AND CONNECTIONS TO TTY  
D-C POWER