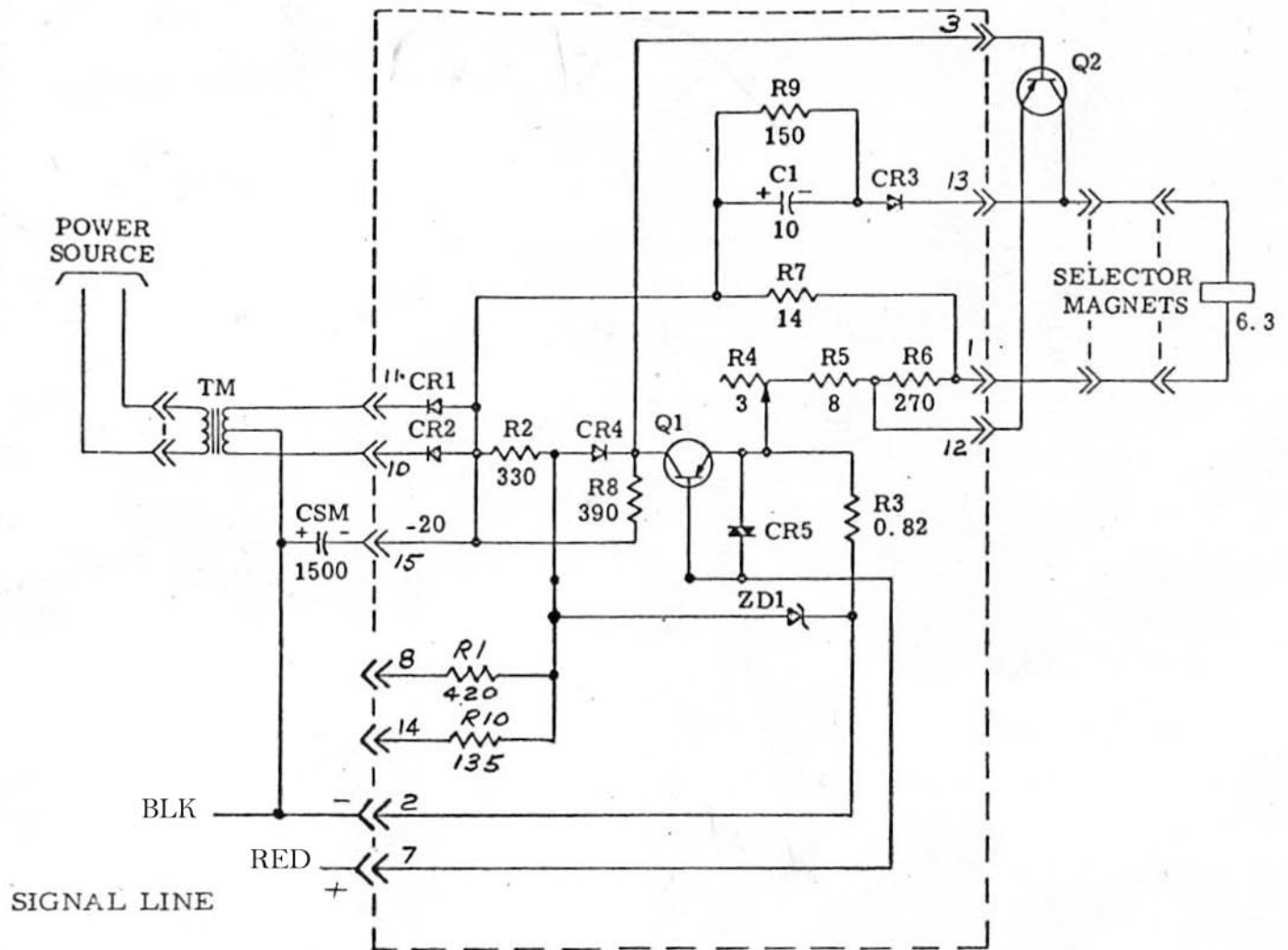


Model 33 Selector Magnet Driver Circuit.



TELETYPE PART NO. 181821

For 20 MA line, pin 7 is tied to pin 8.
 For 60 MA line, pin 7 is tied to pin 14.

- | | |
|---------------|--|
| Transistor Q1 | On for space (open line)
Off for mark |
| Transistor Q2 | Off for space (open line)
On for mark |