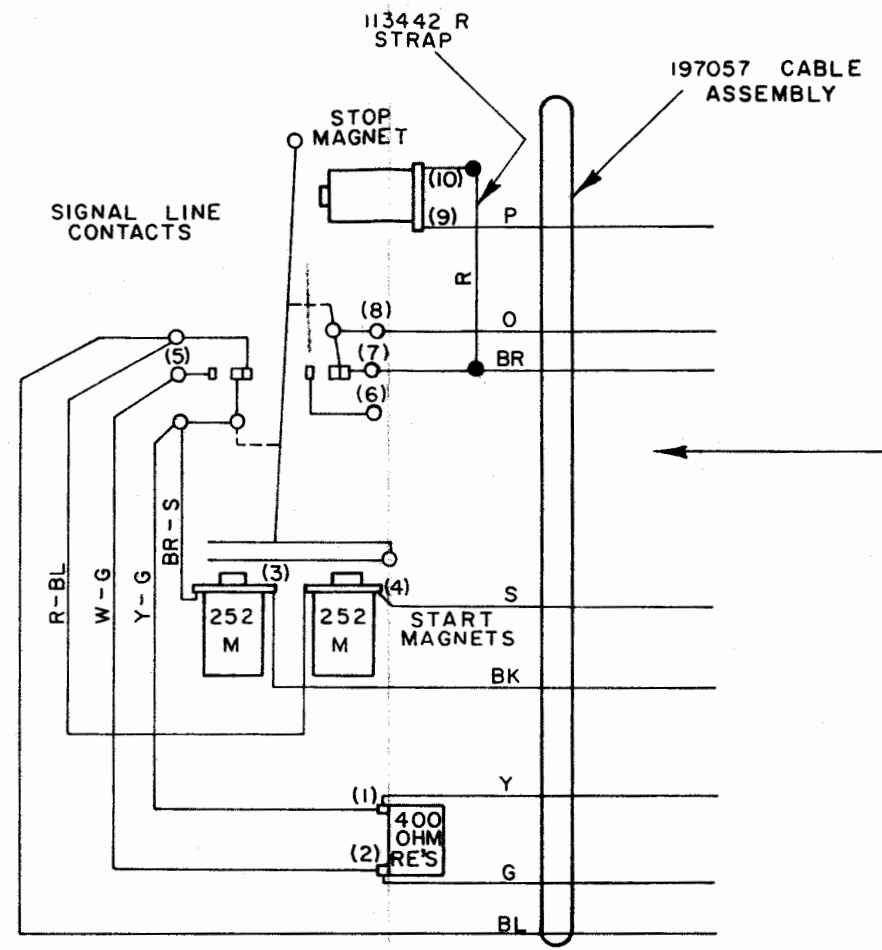
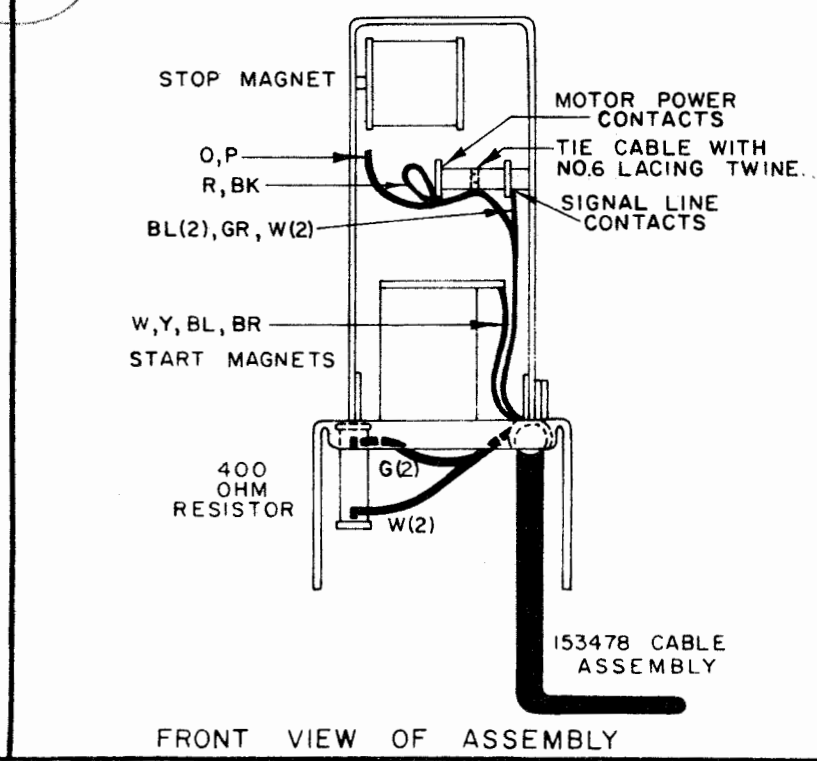
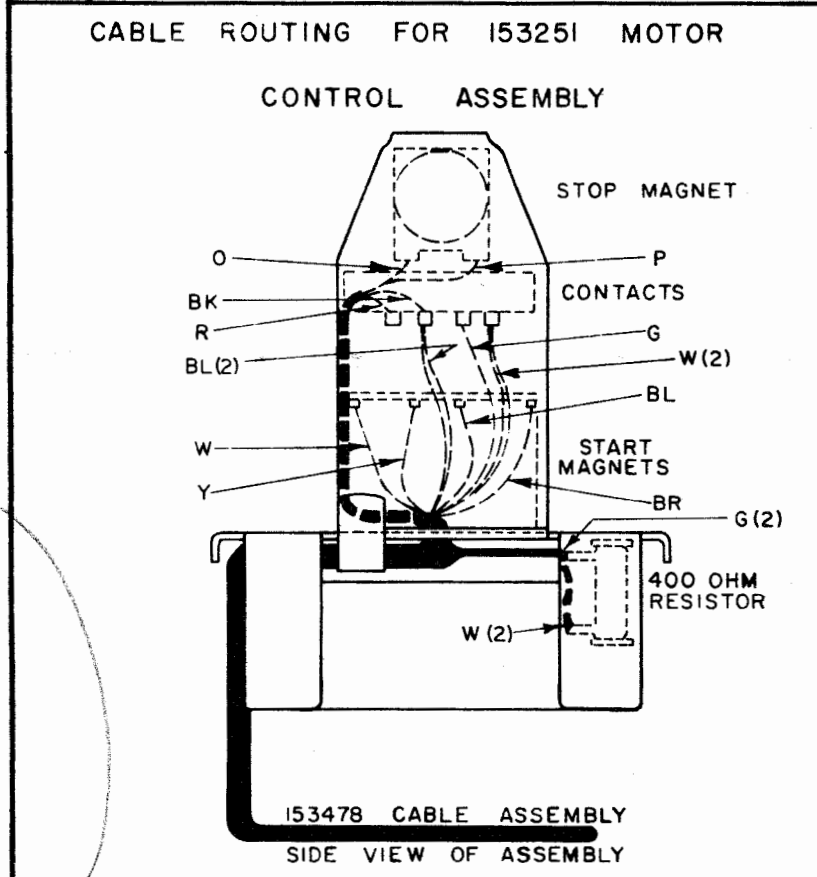
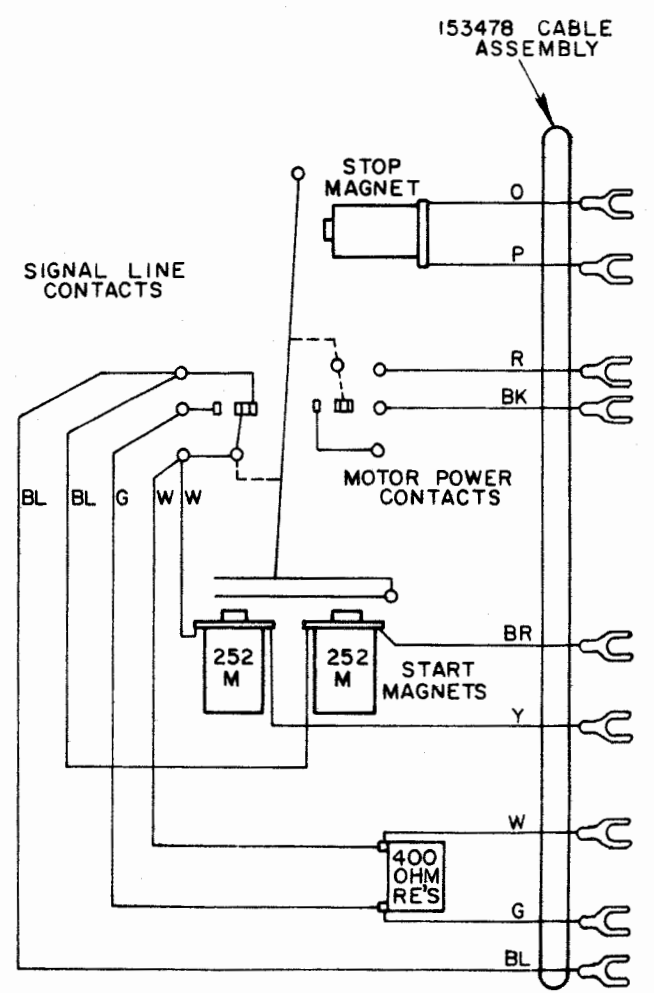


NO.	NOTES
1	COLOR CODE BR - BROWN R - RED BK - BLACK O - ORANGE W - WHITE Y - YELLOW G - GREEN BL - BLUE P - PURPLE



WIRING 197035 MOTOR CONTROL ASSEMBLY



WIRING 153251 MOTOR CONTROL ASSEMBLY

35-37

2949WD

REVISIONS		
ISSUE	DATE	AUTH. NO.
2	3-7-55	28-5089
3	7-13-66	90966

WIRING DIAGRAM FOR ELECTRICAL MOTOR CONTROL ASSEMBLY 153251 AND 197035

APPROVALS	
D AND R	E OF M
E NUMBER	
PROD. NO. 2949 WD	
DATE:	
P.D. FILE NO. 2-30.65.165 A	
DRAWN R.W.M.	CHKD. R.C.
ENGD. G.A.O.	APPD. E.F.B.

TELETYPE CORPORATION

2949WD