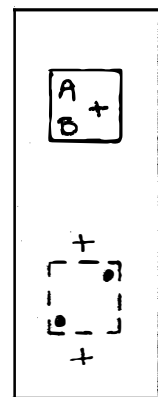


WIRING ON SKETCH A KTU AND CABLING TO ASSOCIATED PLUG AND SOCKET

ITEM	BUZZER	REL	REL	PLUG	SOCKET
DESIG	A	B	A	D	KL
CODE	7F-49	AK4B	AK4T	P-304-OCT	S-304-OCT
	D	ZL	11	3	
			12L	1	
			12	2	
	C	ZB	9	4	
		2	9M	2	
		1M	12M	3	
		1	12M	3	
		1L		4	
			10	1	
			R1 820Ω		
			11M		



SKA 265A KTU
E/W

AK4 RELAY TOP

7F-49 BUZZER APPROX. CENTER LOWER 1/2

**FS 1
PAPER OUT ALARM**

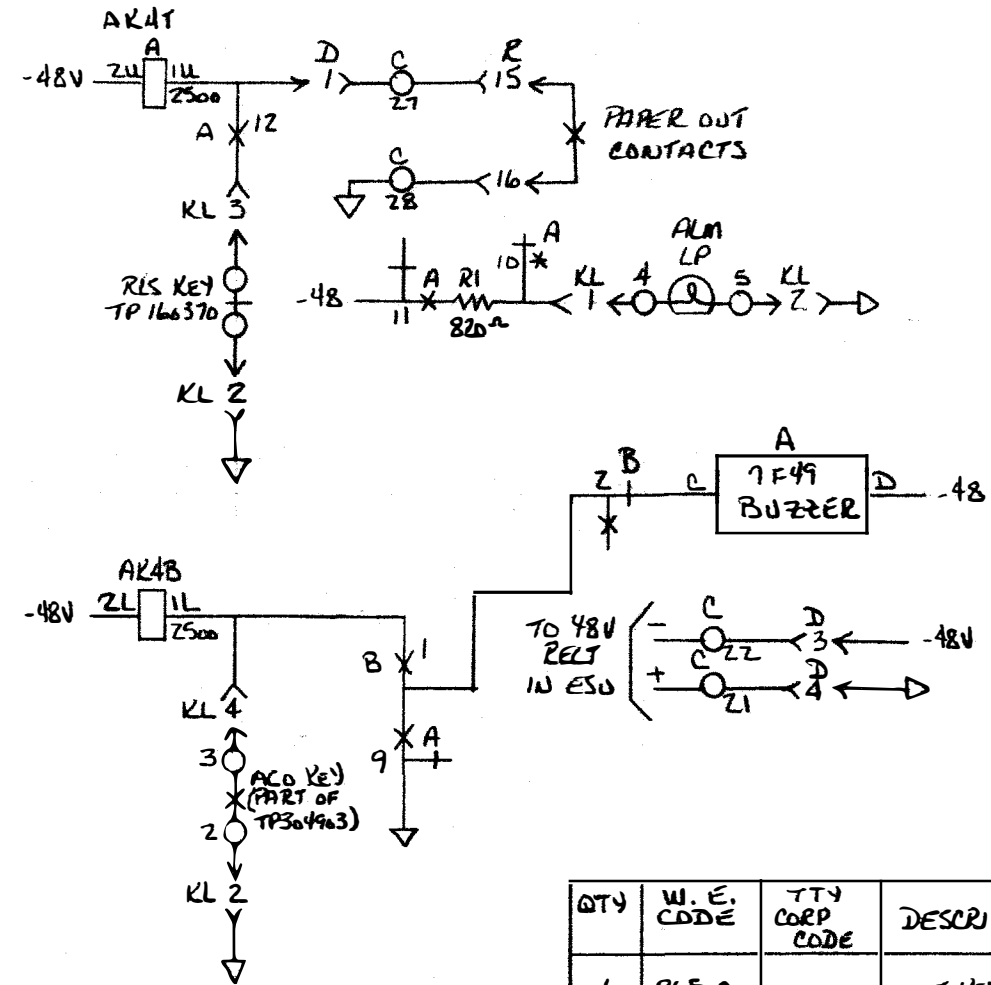
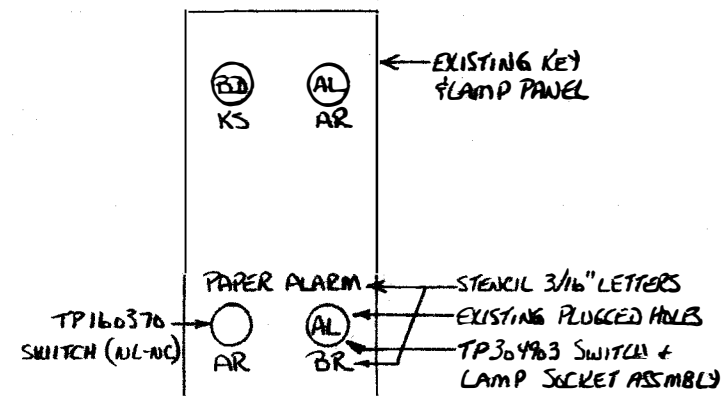


FIG. 1
KEY FLAMP PANEL (ASR OR KSR)



QTY	W. E. CODE	TTY CORP. CODE	DESCRIPTION
1	265A		UNIT KEY TELE., E/W
1	AK4		RELAY
2			H.B. JONES P-304-OCT-K PLUG
2			H.B. JONES S-304-OCT-L SOCKET
1	7F49		BUZZER
1	KS1349Z		L1, 820 OHM RESISTOR
2	PI41305		SCR. RHM 138-32x3/8
2	PI82913		NOT HEX 138-32
2	PI83012		LOCKWASHER 138
14 FT			BELDEN 8444 (4 COND) CABLE
1		TP 160370	SWITCH NL-NC
1		TP 304903	SWITCH + LP SOCKET ASSEMBLY
2		TP 171559	LAMP (1 SPARE)
1		TP 194324	PAPER OUT CONTACT M.D. KIT
2	67B		BRACKET (23 IN.)

28ASR TELETYPEWRITER
23B3 LOW PAPER ALARM

SWB KS.
10-2-70 RTW