

NO. NOTES

① POWER CIRCUITS WIRED FOR 115 V AC. OR DC. OPERATION.

② WIRE COLOR CODE:

BK	BLACK	BL	BLUE	BR	BROWN
R	RED	Y	YELLOW	S	SLATE
P	PURPLE	O	ORANGE		
G	GREEN	W	WHITE		

③ CONNECTORS VIEWED FROM SOLDER TERMINAL ENDS.

④ --- DENOTES LEADS FURNISHED WITH OPTIONAL ELECTRICAL COMPONENTS

⑤ STRAP NECESSARY FOR OPERATION WITH LESU 7

⑥ WHEN THE PAPER FEED OUT MOTOR START SWITCH IS SUPPLIED, NO. 1 MOTOR LEAD CONNECTS TO TERMINAL 3 INSTEAD OF TERMINAL 1 OF MOTOR TERMINAL BLOCK.

⑦ --- DENOTES ALTERNATE BASIC CABLE CONNECTION

OPTIONAL ELECTRICAL COMPONENTS

UNIT CODE	ARC SUPPRESSION ONLY	R.F. & ARC SUPPRESSION	SIGNAL LINE BREAK	TIME DELAY	PAPER FEED-OUT	SIGNAL LINE BREAK	MOD. KIT 178808 WIRE PER 4312 WD
LK 6	●						
LK 8		●	●	●			
LK 9		●	●				
LK 10		●	●	●			
LK 11		●	●				
LK 12		●	●		●		
LK 13		●	●				
LK 14	●		●				
LK 15	●		●	●			
LK 16	●		●				
LK 18		NOTE 11 ●				●	
LK 19		NOTE 11 ●					
LK 28	●		●				●
LK 32	●		●				

● DENOTES ITEM PRESENT

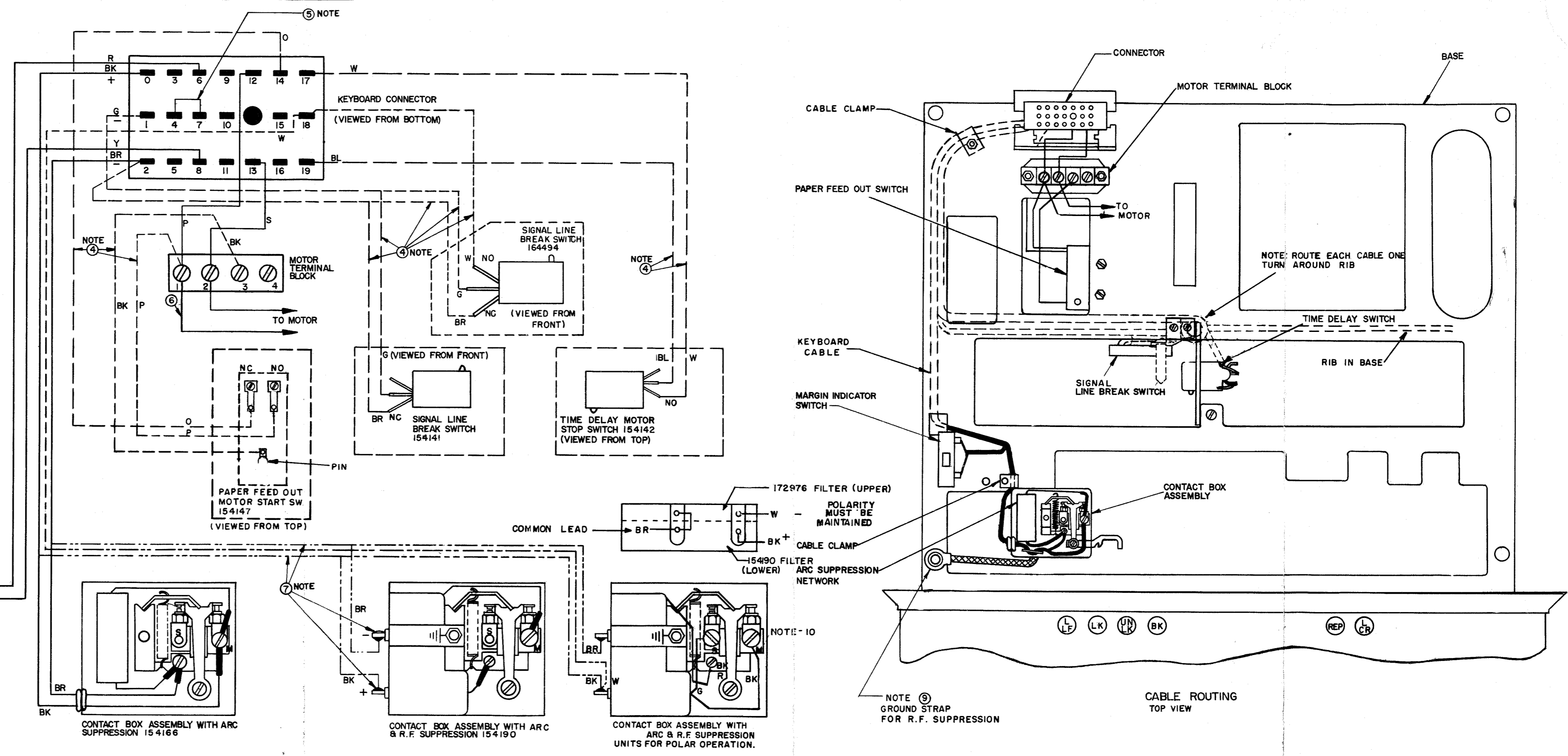
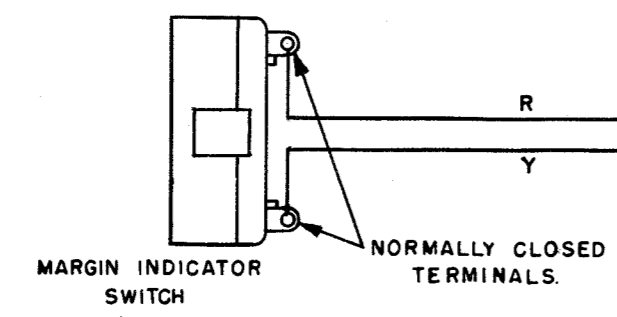
③ GROUND STRAP TERMINATES AT TOP OF KEYBOARD BASE LOWER PLATE BY MEANS OF LEFT FRONT 151549 KEYBOARD SPECIAL MOUNTING SCREW.

⑩ FOR PROPER R.F. FILTERING, POLARITY OF FILTERS MUST BE MAINTAINED. UNIT AS FURNISHED IS WIRED FOR "MARKING" CONTACT POSITIVE (+) "SPACING" CONTACT NEGATIVE (-), TO REVERSE POLARITY ON CONTACTS SO THAT THE "MARKING" CONTACT IS NEGATIVE (-) AND "SPACING" POSITIVE (+) MAKE THE FOLLOWING CONNECTIONS IN THE CONTACT BOX ASSEMBLY.

1. MOVE BLACK LEAD OF BOTTOM FILTER FROM "MARKINGS" CONTACT TO "SPACING" CONTACT.
2. MOVE GREEN LEAD OF TOP FILTER FROM "SPACING" CONTACT TO "MARKING" CONTACT.

NO. NOTES

II. UNITS ARE EQUIPPED WITH 172976 R.F. & ARC SUPPRESSOR TO FILTER SPACING CONTACT.



2928WD

REVISIONS

ISSUE	DATE	AUTH. NO.
A	6-17-57	28-7718
B	3-20-58	28-8693
C	3-3-59	28-10801
D	7-8-59	28-11507
E	9-8-59	28-11692
F	10-21-59	28-11878
G	11-17-59	28-12042
H	12-22-59	28-12323
J	4-13-60	28-13076
K	9-1-60	28-13832
L	11-11-60	28-14103
M	9-11-61	70895

N 1-5-62 72084

ACTUAL WIRING DIAGRAM FOR MODEL 28 KEYBOARD LK 6, 8 AND UP (MARK III)

DATE: 9-2-55

P.D. FILE NO. 2-12-65 AA

DRAWN: I.B. CHKD: [Signature]

ENGD. M.F.M. APPD: [Signature]

TELETYPE CORPORATION

2928WD