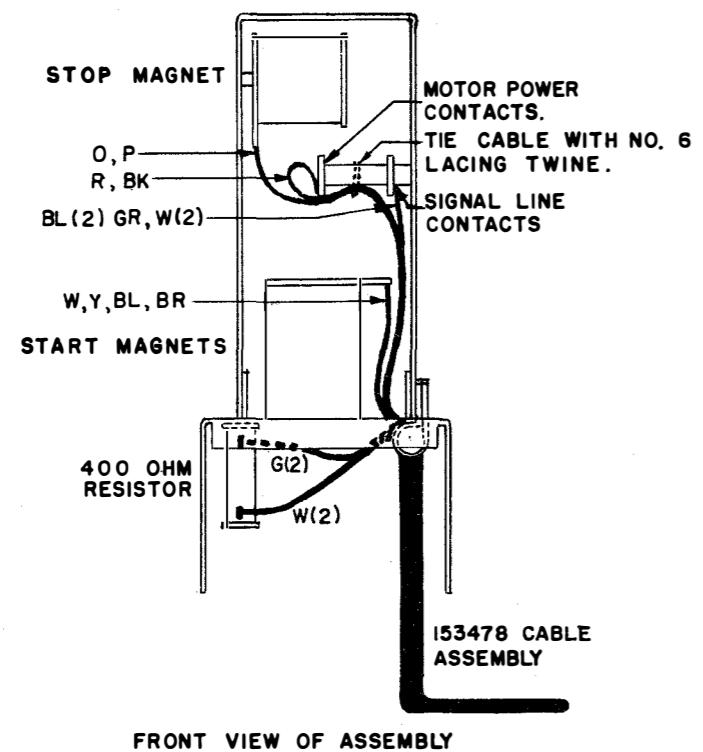
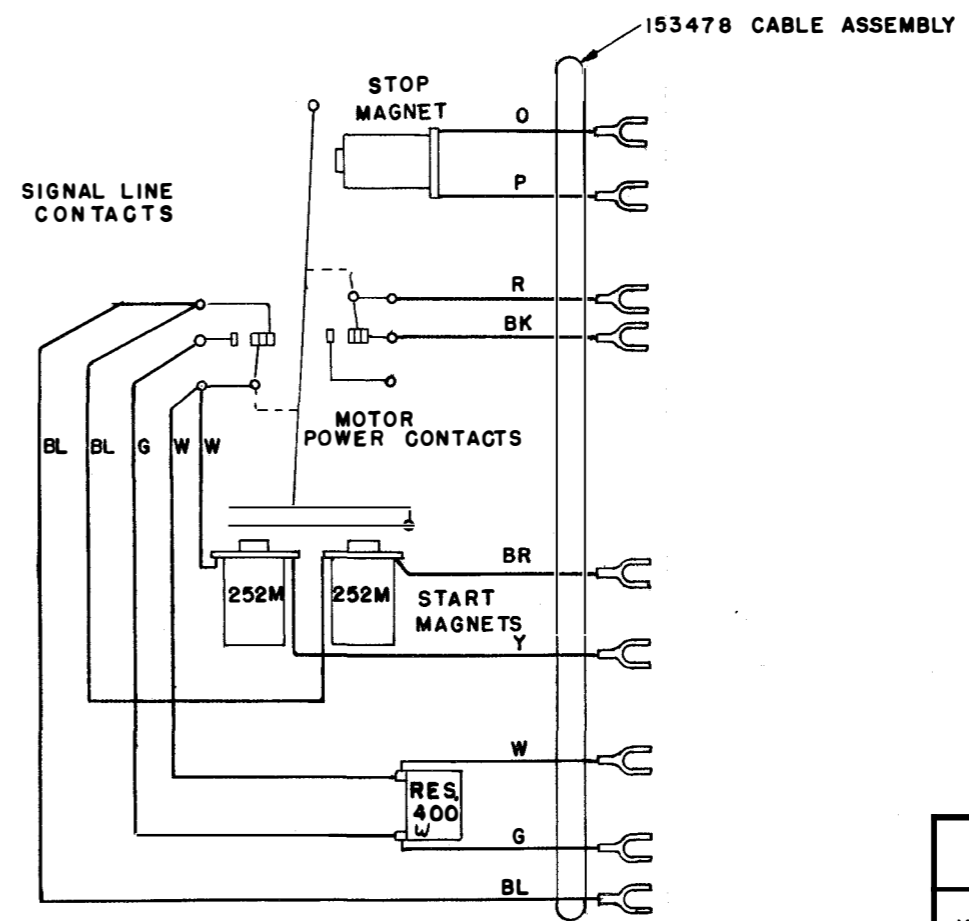
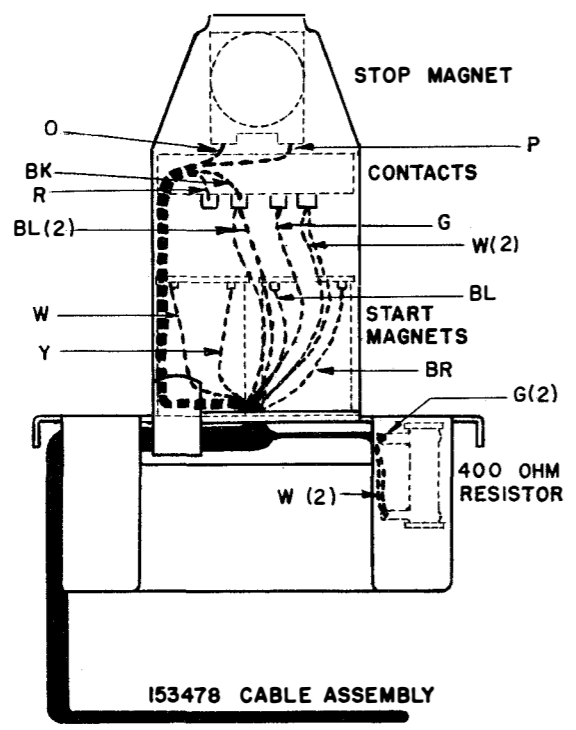


| NO. | NOTES                                  |
|-----|--|
| 1   | COLOR CODE                             |
|     | BR-BROWN                      R-RED    |
|     | BK-BLACK                      O-ORANGE |
|     | W-WHITE                      Y-YELLOW  |
|     | G-GREEN                      BL-BLUE   |
|     | P-PURPLE                               |

| REVISIONS |        |         |
|-----------|--------|---------|
| (A)       | 3-7-55 | 28-5089 |
|           |        |         |
|           |        |         |
|           |        |         |

CABLE ROUTING



**2949 WD**  
DATE: 4-12-54

WIRING DIAGRAM  
FOR  
ELECTRICAL MOTOR  
CONTROL ASSEMBLY

153251

|                     |                    |
|---------------------|--------------------|
| DRAWN: N.K.G.       | APPROVED:          |
| ENG'R'D: G.A.O.     | <i>ETB</i>         |
| CHECKED:            | <i>[Signature]</i> |
| FILE: 2-30.65.165 A |                    |

**TELETYPE CORPORATION**