

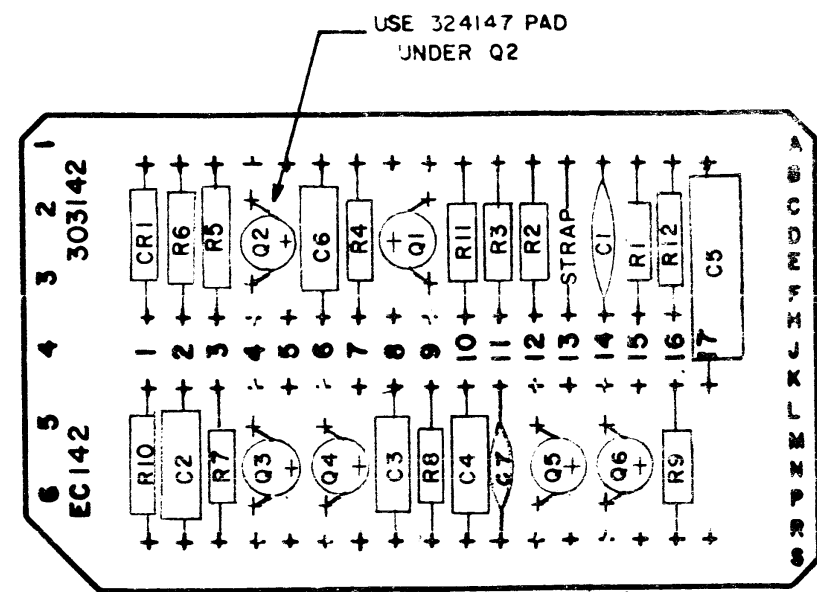
EC 142

303142

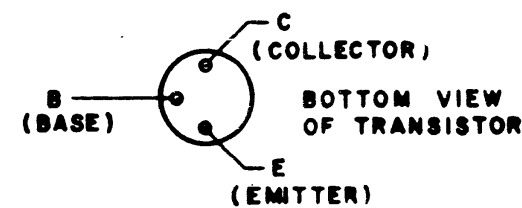
CIRCUIT BOARD EC142

303142

REVISIONS		
ISSUE	DATE	AUTH NO
1	5-5-66	17929 R
2	2-21-67	92989
3	6-16-67	94065
4	1-19-68	94934
5	8-21-68	95881



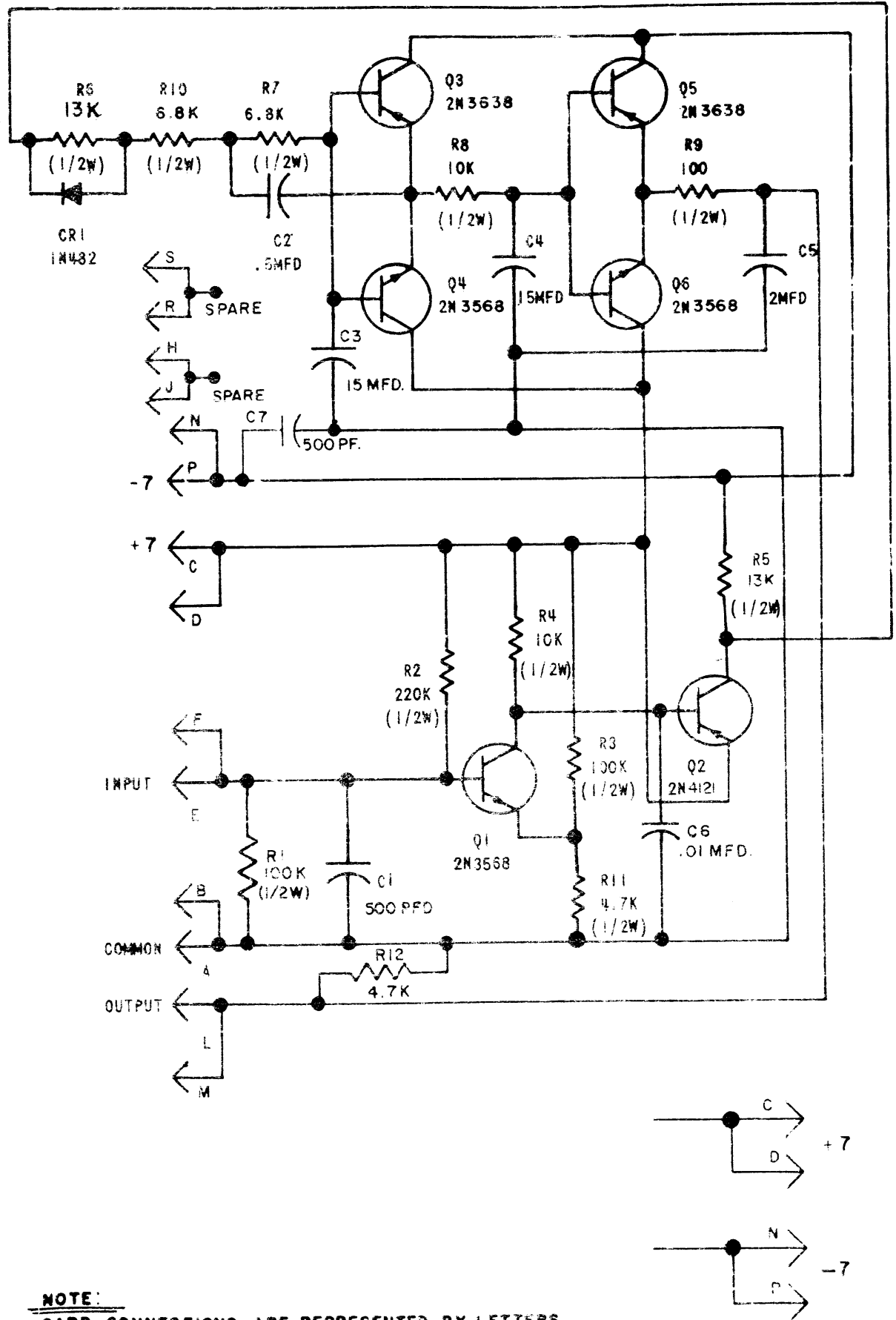
ALPHA NUMERIC CONVERSION CHART		
STAMPING ON CIRCUIT BOARD	NUMERICAL CONVERSION FOR 15 PT. CARDS WHEN USED WITH 36 PT. CONNECTOR	
	WHEN INSERTED IN UPPER HALF OF CONNECTOR	WHEN INSERTED IN LOWER HALF OF CONNECTOR
A	1	22
B	2	23
C	3	24
D	4	25
E	5	26
F	6	27
G	7	28
H	8	29
J	9	30
K	10	31
L	11	32
M	12	33
N	13	34
P	14	35
S	15	36



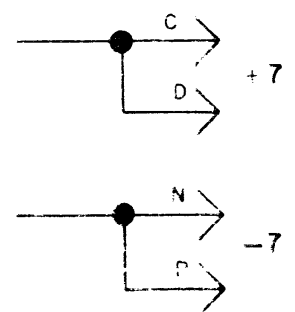
NOTE: REFER TO 5016WD FOR MARKING INFORMATION

REF. DESIGN	TELETYPE PART NO.	TOTAL QTY.	NAME AND DESCRIPTION	LOCATING FUNCTION
R1	118720	2	RESISTOR 100K 5% 1/2 WATT	RC FILTER
R2	118179	1	RESISTOR 220K 5% 1/2 WATT	Q1 BASE BIAS
R3			RESISTOR SAME AS R1	Q1 EMITTER BIAS
R4	129854	2	RESISTOR 10K 5% 1/2 WATT	Q1 COLLECTOR BIAS
R5	321204	2	RESISTOR 13K 1% 1/2 WATT	Q2 COLLECTOR BIAS
R6			RESISTOR SAME AS R5	RC BIAS EQUALIZER
R7	118147	2	RESISTOR 6.8K 5% 1/2 WATT	Q3,4 BASE BIAS
R8			RESISTOR SAME AS R4	Q5,6 BASE BIAS
R9	137438	1	RESISTOR 100-OHMS 5% 1/2 WATT	RC FILTER
R10			RESISTOR SAME AS R7	Q3,4 BASE BIAS
R11	118146	2	RESISTOR 4.7K 5% 1/2 WATT	Q1 EMITTER BIAS
CR1	181619	1	DIODE 1N482	R6 SHUNT SWITCH
C1	321157	2	CAPACITOR 500PFD	INPUT FILTER
C2	320048	1	CAPACITOR .5MFD	ACTIVE FILTER FEEDBACK
C3	320049	2	CAPACITOR .15MFD	ACTIVE FILTER INTEGRATOR
C4			CAPACITOR SAME AS C3	RC FILTER INTEGRATOR
C5	320047	1	CAPACITOR 2MFD	RC FILTER INTEGRATOR
Q1	315930	3	TRANSISTOR, 2N3568	1st AMPLIFIER
Q2	324144	1	TRANSISTOR 2N4121	2nd AMPLIFIER
Q3	315931	2	TRANSISTOR 2N3638	ACTIVE COMPLIMENTARY FILTER
Q4			TRANSISTOR SAME AS Q1	ACTIVE COMPLIMENTARY FILTER
Q5			TRANSISTOR SAME AS Q3	COMPLIMENTARY SYMMETRY
Q6			TRANSISTOR SAME AS Q1	EMITTER FOLLOWER AMPLIFIER
R12			RESISTOR SAME AS R11	OUTPUT LOAD
C6	181618	1	CAPACITOR .01MFD	RC FILTER
C7			CAPACITOR SAME AS C1	RF BY PASS
EC	320051	1	BOARD, ETCHED CIRCUIT	
	324147	1	PAD, TRANSISTOR	
	144495	5	PAD, TRANSISTOR	

POLAR LINE KEYSER ±6V



NOTE: CARD CONNECTIONS ARE REPRESENTED BY LETTERS TEST POINTS ARE REPRESENTED BY NUMBERS



WDP

APPROVALS

D AND R E OF M

E-NUMBER

PROD. NO. 303142

DATE 4-27-65

PD. FILE NO. 15-13AAA

DRAWN CHRU

ENGD RJM APPD

TELETYPE CORPORATION

303142