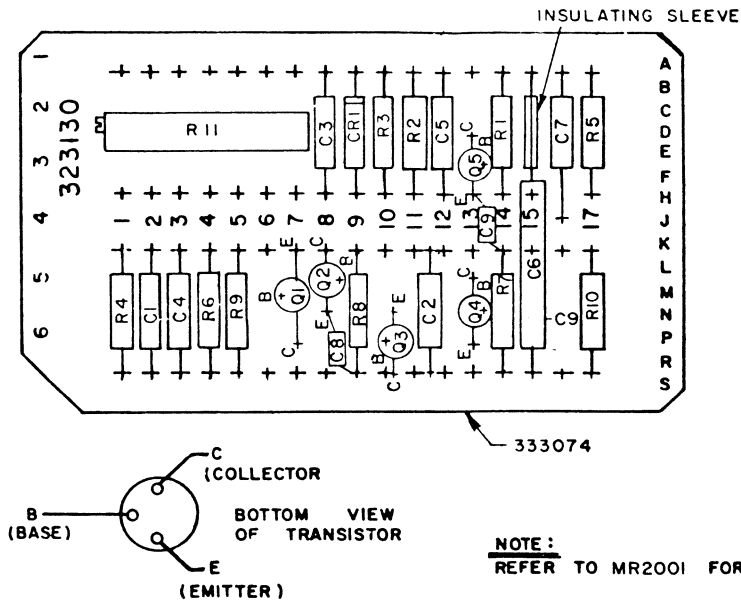


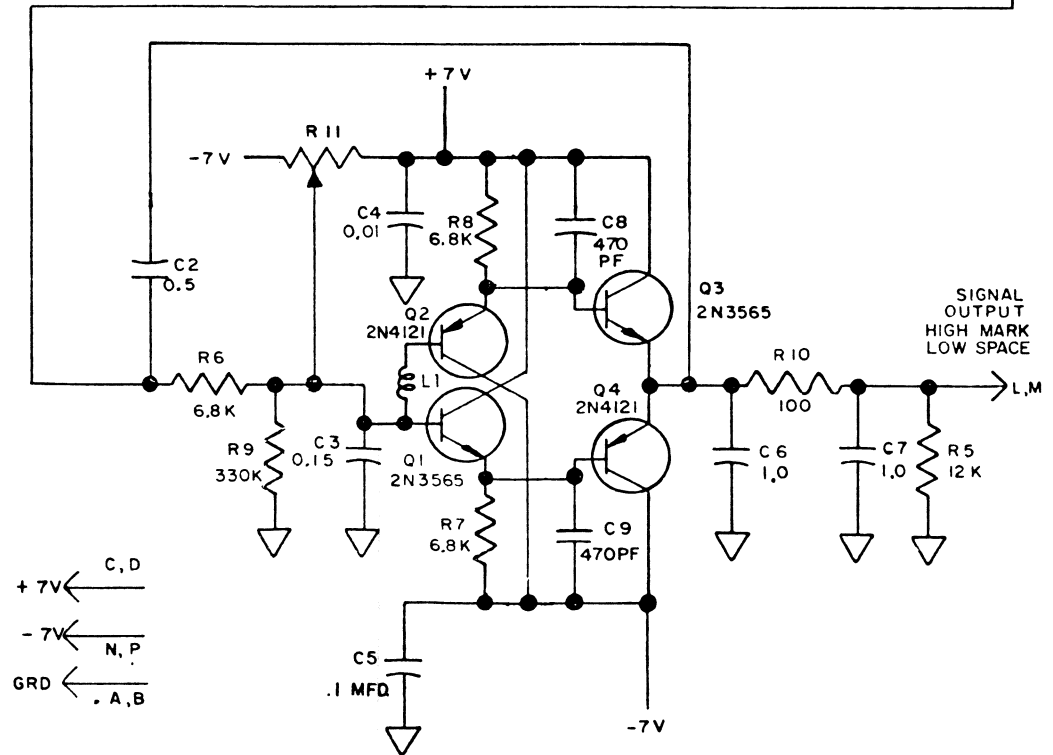
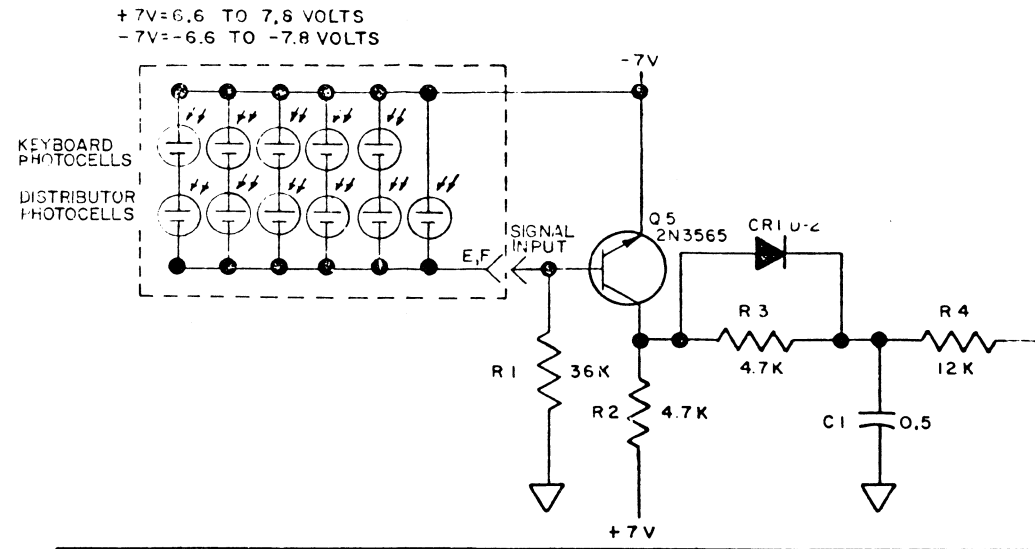
NOTES:

1. DUE TO VARIATIONS OF TRANSISTOR CHARACTERISTICS, "L1" WAS ADDED TO PROVIDE AN ACCEPTABLE RESPONSE TIME. "L1" SHOULD BE ADDED IF Q2 IS REPLACED.



NOTE:
REFER TO MR2001 FOR MARKING INFORMATION.

REF. DESIGN.	TELETYPE PART NO.	TOTAL QTY.	NAME AND DESCRIPTION	LOCATING	FUNCTION
C1,2	320048	2	CAPACITOR .5 MFD ± 10%		
C8,9	315976	2	CAPACITOR 470PF ± 20% 50 V.		
C3	320049	1	CAPACITOR .15 MFD ± 10%		
C4	181618	1	CAPACITOR .01 MFD ± 20%		
C6,7	321262	2	CAPACITOR 1.0 MFD ± 20%		
R1	323147	1	RESISTOR 36K OHMS 1/4 WATT ± 5%		
R2,3	118146	2	RESISTOR 4.7K OHMS 1/2 WATT ± 5%		
R4,5	118149	2	RESISTOR 12 K OHMS 1/2 WATT ± 5%		
R6,7,8	118147	3	RESISTOR 6.8K OHMS 1/2 WATT ± 5%		
R9	118179	1	RESISTOR 330K OHMS 1/2 WATT ± 5%		
R10	137438	1	RESISTOR 100 OHMS 1/2 WATT ± 5%		
R11	321160	1	RESISTOR 5M OHMS(POT) 1/2 WATT ± 5%		
Q1,3,5	323934	3	TRANSISTOR, 2N3565		
Q2,4	324144	2	TRANSISTOR 2N4121		
CRI	177108	1	DIODE, D-2		
C5	305821	1	CAPACITOR .1 MFD. ± 20% 25 V.		
L1	343619	1	FERRITE BEAD		
	60340RM	1"	INSULATING SLEEVE		
	333074	1	BOARD, ETCHED CIRCUIT		
	324147	5	TRANSISTOR PAD		



NOTE:
CARD CONNECTIONS ARE REPRESENTED BY LETTERS
TEST POINTS ARE REPRESENTED BY NUMBERS.

Figure 5-25. Schematic Diagram; Model 28 CPP KSR
ESA LLK Circuit Board Assembly