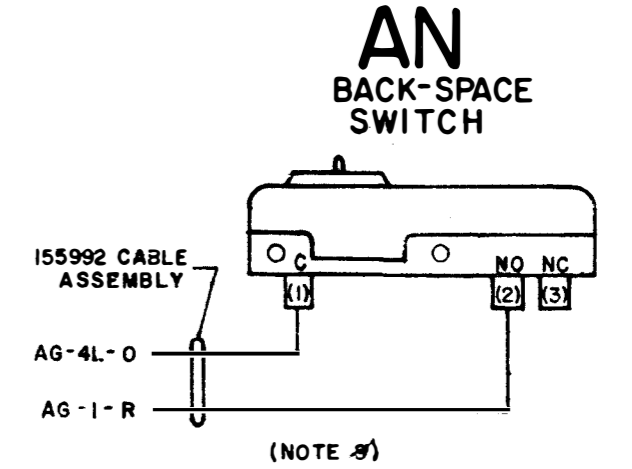
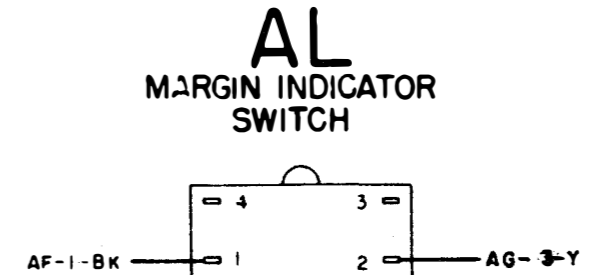
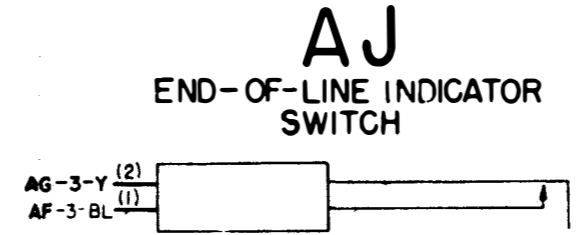
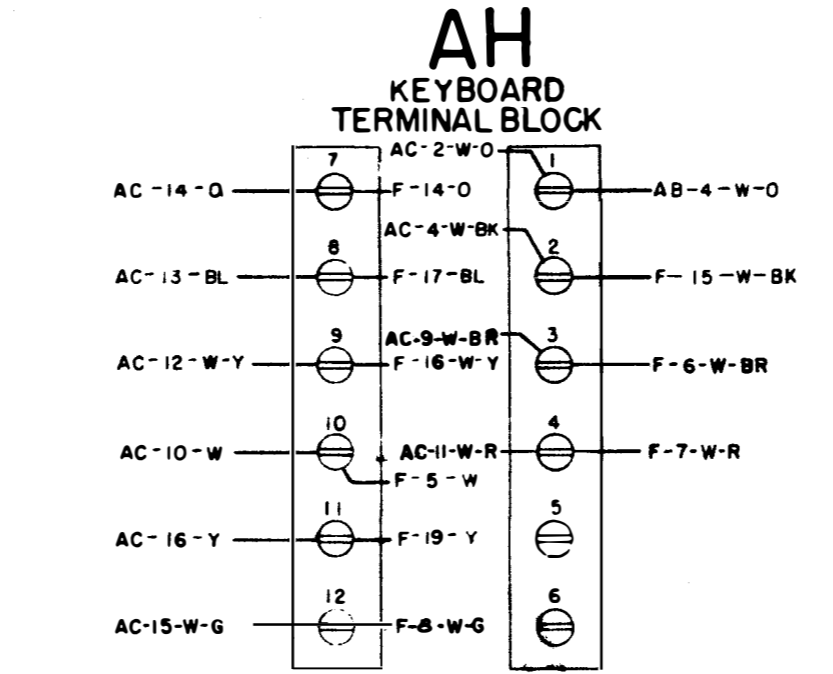
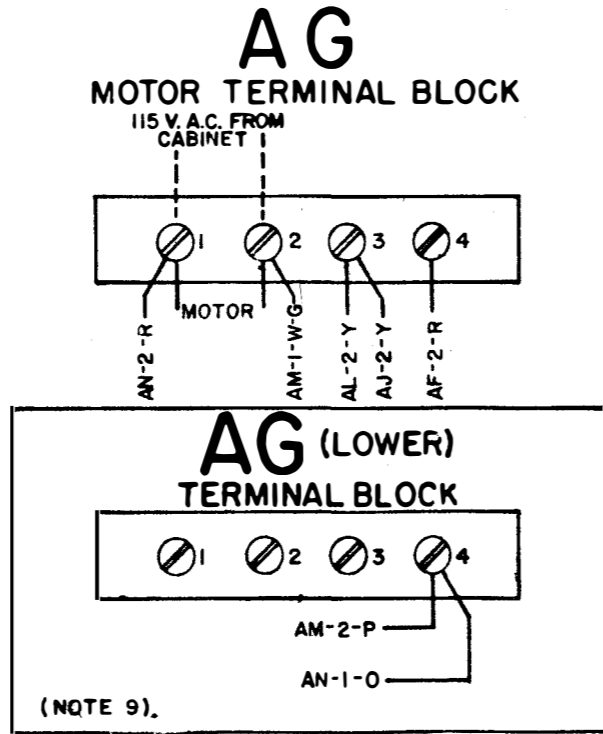
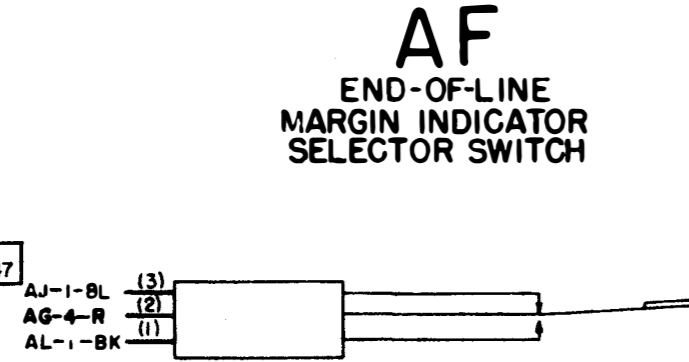
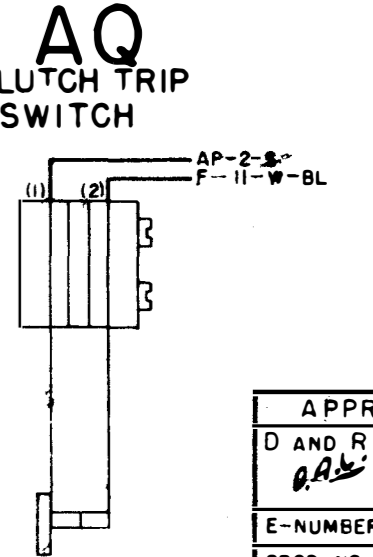
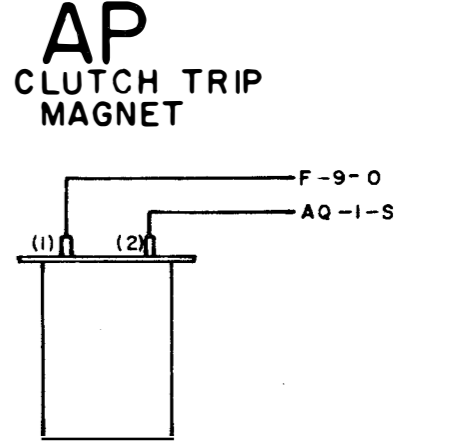
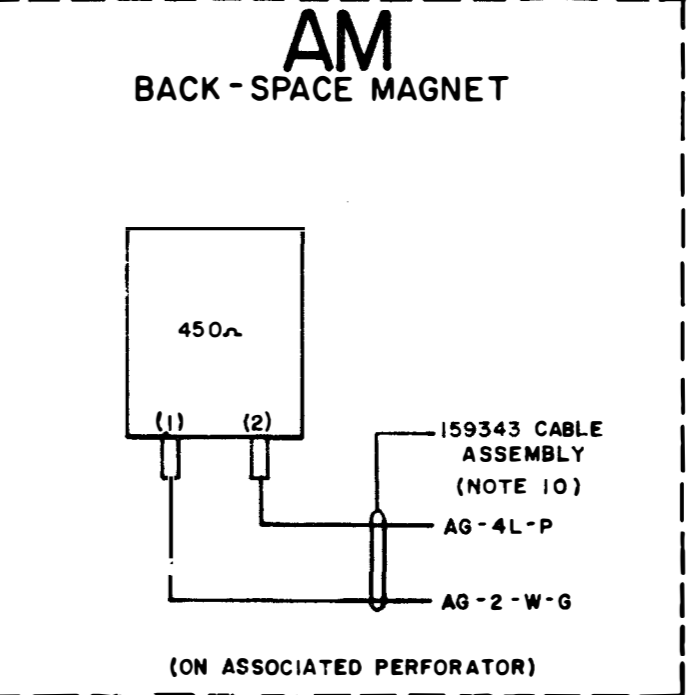
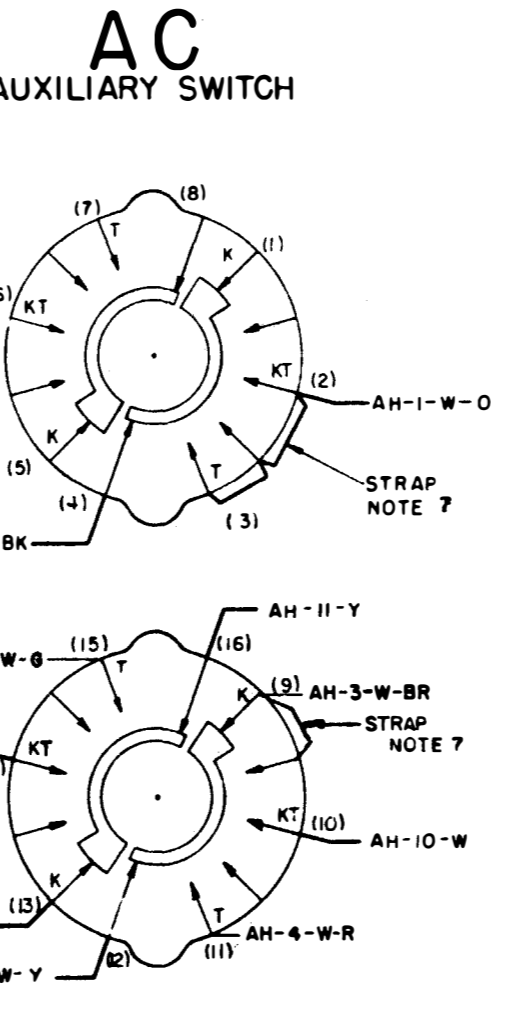
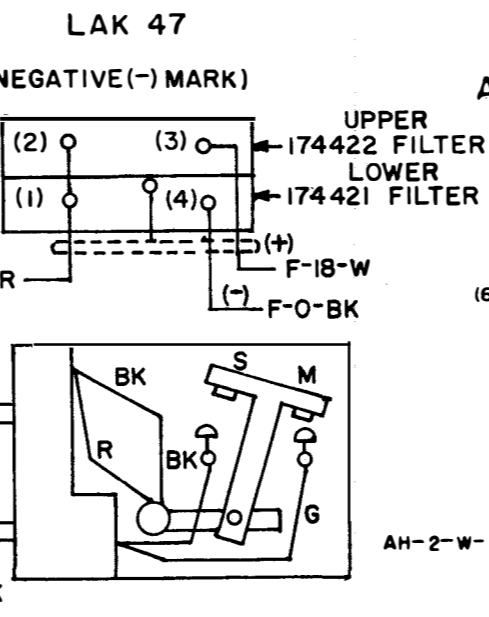
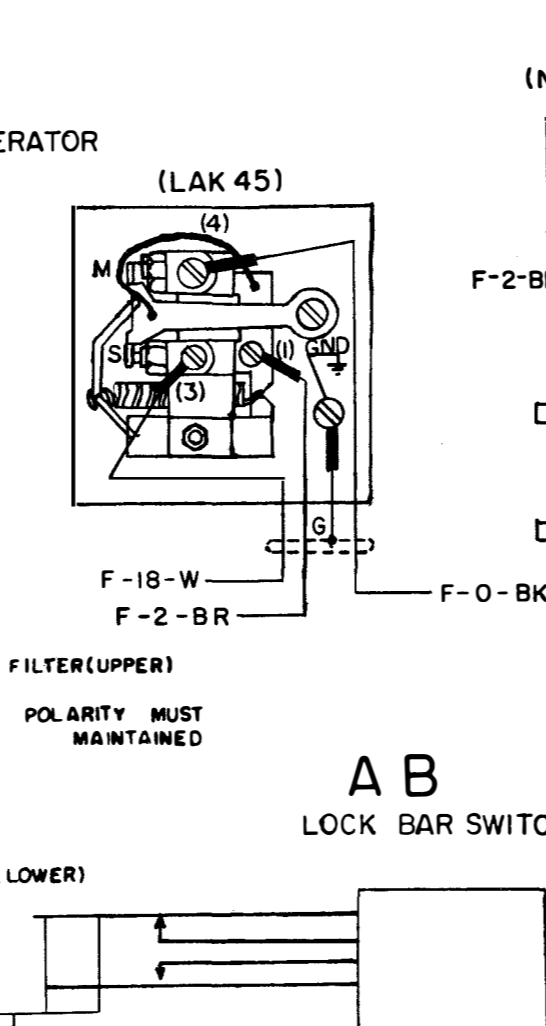
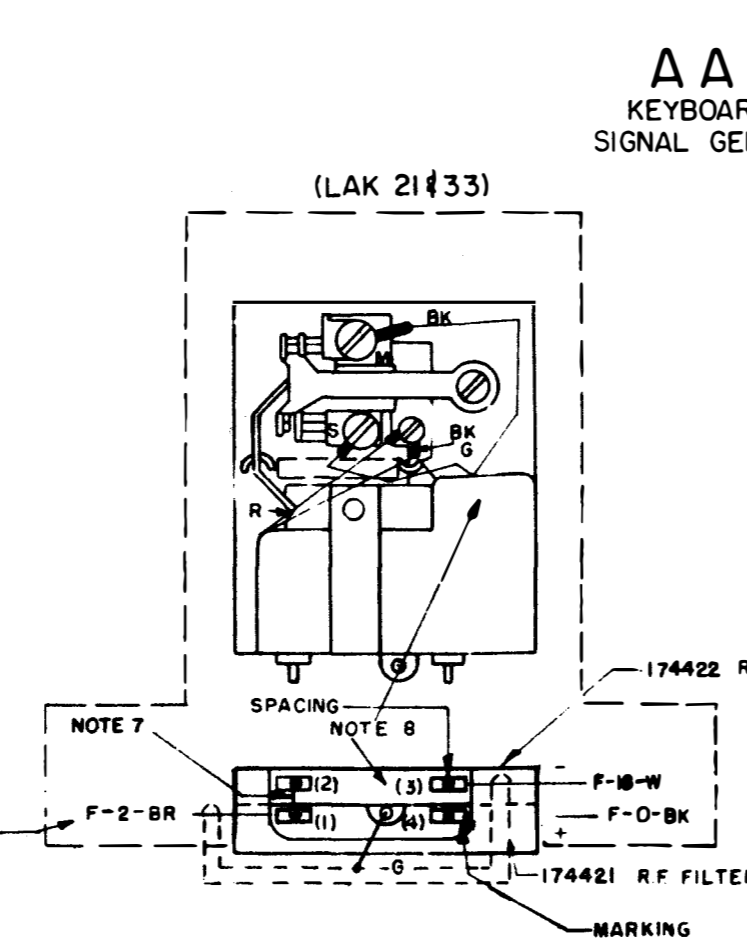
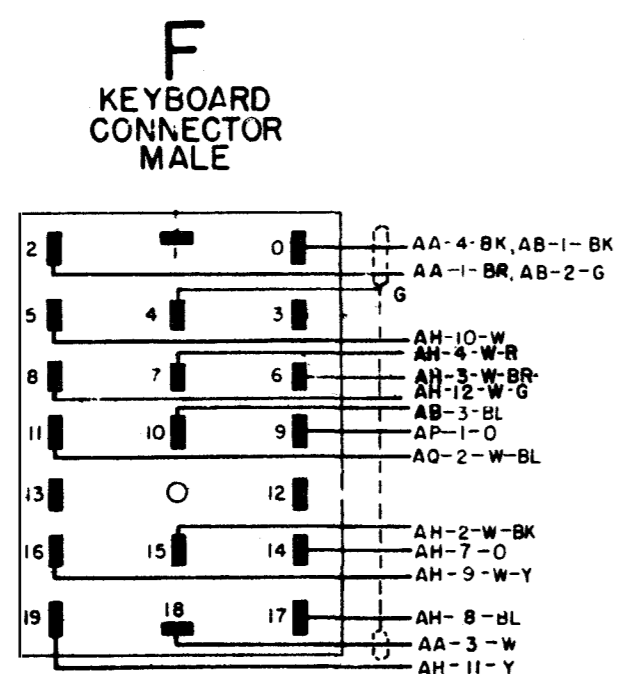


NO.	NOTES:																				
1.	<p>WIRING LEGEND:</p>																				
2.	<p>COLOR CODE:</p> <table border="0"> <tr> <td>BK - BLACK</td> <td>W-BK - WHITE - BLACK</td> </tr> <tr> <td>BR - BROWN</td> <td>W-BR - WHITE - BROWN</td> </tr> <tr> <td>R - RED</td> <td>W-R - WHITE - RED</td> </tr> <tr> <td>O - ORANGE</td> <td>W-O - WHITE - ORANGE</td> </tr> <tr> <td>Y - YELLOW</td> <td>W-Y - WHITE - YELLOW</td> </tr> <tr> <td>G - GREEN</td> <td>W-G - WHITE - GREEN</td> </tr> <tr> <td>BL - BLUE</td> <td>W-BL - WHITE - BLUE</td> </tr> <tr> <td>P - PURPLE</td> <td>W-P - WHITE - PURPLE</td> </tr> <tr> <td>W - WHITE</td> <td>W-S - WHITE - SLATE</td> </tr> <tr> <td>S - SLATE</td> <td></td> </tr> </table>	BK - BLACK	W-BK - WHITE - BLACK	BR - BROWN	W-BR - WHITE - BROWN	R - RED	W-R - WHITE - RED	O - ORANGE	W-O - WHITE - ORANGE	Y - YELLOW	W-Y - WHITE - YELLOW	G - GREEN	W-G - WHITE - GREEN	BL - BLUE	W-BL - WHITE - BLUE	P - PURPLE	W-P - WHITE - PURPLE	W - WHITE	W-S - WHITE - SLATE	S - SLATE	
BK - BLACK	W-BK - WHITE - BLACK																				
BR - BROWN	W-BR - WHITE - BROWN																				
R - RED	W-R - WHITE - RED																				
O - ORANGE	W-O - WHITE - ORANGE																				
Y - YELLOW	W-Y - WHITE - YELLOW																				
G - GREEN	W-G - WHITE - GREEN																				
BL - BLUE	W-BL - WHITE - BLUE																				
P - PURPLE	W-P - WHITE - PURPLE																				
W - WHITE	W-S - WHITE - SLATE																				
S - SLATE																					
3.	UNIT WIRED FOR 115 VOLTS AC OR DC POWER INPUT.																				
4.	PLUGS VIEWED FROM SOLDER TERMINAL ENDS.																				
5.	ALL CONTACTS SHOWN IN UNOPERATED POSITION IN KEYBOARD.																				
6.	<p>ASSOCIATED CABLES:</p> <p>164379 CABLE ASSEMBLY, CLUTCH TRIP 173454 CABLE ASSEMBLY, KEYBOARD BASE (LAK 21, 33) 174314 CABLE ASSEMBLY, AUX SWITCH 173711 CABLE ASSEMBLY, MARGIN INDICATOR 155992 CABLE ASSEMBLY, BACKSPACE (LAK 33, 45, 47) 159343 CABLE ASSEMBLY, BACKSPACE 307267 CABLE ASSEMBLY, KEYBOARD BASE (LAK 45)</p>																				
7.	BARE WIRE STRAP 39522 RM.																				
8.	<p>FOR PROPER R.F. FILTERING, POLARITY OF FILTERS MUST BE MAINTAINED. UNIT AS FURNISHED IS WIRED FOR 'MARKING' CONTACT POSITIVE (+) 'SPACING' CONTACT NEGATIVE (-). TO REVERSE POLARITY ON CONTACTS SO THAT THE 'MARKING' CONTACT IS NEGATIVE (-) AND 'SPACING' CONTACT POSITIVE (+).</p> <p>MAKE THE FOLLOWING CONNECTIONS IN THE CONTACTS BOX ASSEMBLY:</p> <ol style="list-style-type: none"> 1. MOVE BLACK LEAD OF THE BOTTOM FILTER FROM 'MARKING' CONTACT TO 'SPACING' CONTACT. 2. MOVE GREEN LEAD OF TOP FILTER FROM THE 'SPACING' CONTACT TO THE 'MARKING' CONTACT. 																				
9.	BACKSPACE COMPONENTS AND ASSOCIATED WIRING ON LAK 33, 45, 47 ONLY. THE AG (LOWER) TERMINAL BLOCK LOCATED DIRECTLY BENEATH THE AG MOTOR TERMINAL BLOCK ON LAK.																				
10.	TAPE AND TIE BACK BOTH LEADS OF THE 159343 CABLE ASSEMBLY WHEN THE ASSOCIATED PERFORATING UNIT FOR THE LAK IS NOT EQUIPPED WITH THE POWER BACKSPACE FEATURE.																				



4263WD		
REVISIONS		
ISSUE	DATE	AUTH. NO.
2	2-24-60	CC94
3	11-18-60	CC182
4	8-7-62	74054
5	2-9-63	75940
5A	9-23-64	83065
5B	11-13-64	84170
5C	3-12-65	86449
P		
APPROVALS		
D AND R	E OF M	
E-NUMBER		
PROD. NO. 4263 WD.		
ACTUAL WIRING DIAGRAM MODEL 28 KEYBOARD BASE LAK 21, 33, 45 47		
DATE: 6-9-60		
P.O. FILE NO 18-A65/2.219A		
DRAWN E.M. CHKD. /		
ENGD. D.C.L. APPD.		
TELETYPE CORPORATION		
4263WD		