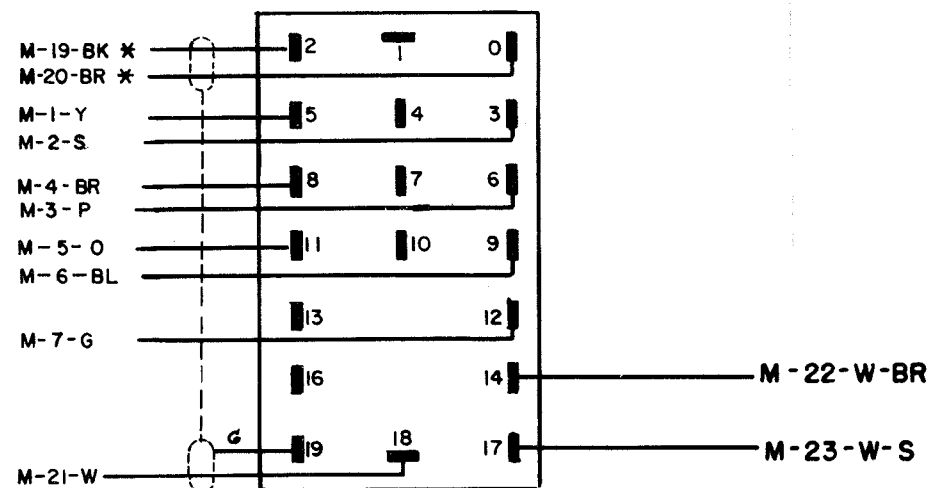


4265 WD

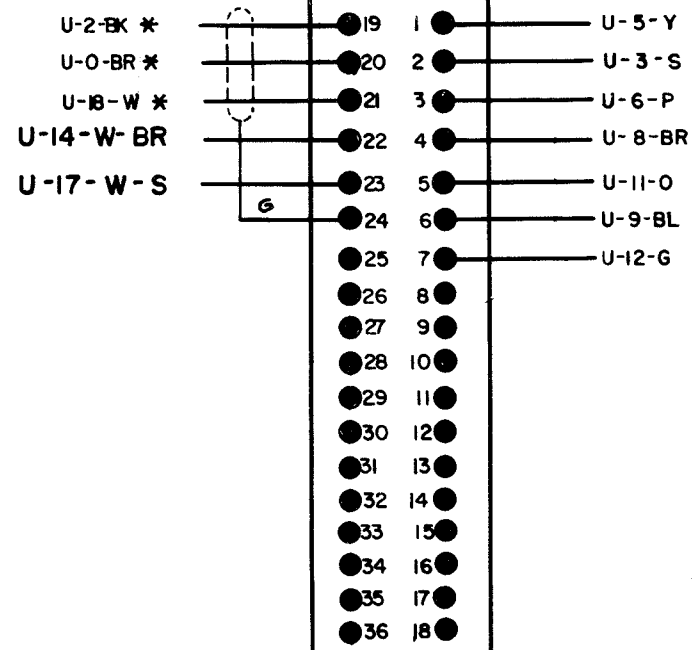
ISSUE	DATE	AUTH. NO.
A	9-28-60	CC-106
B	11-18-60	CC-102
C	1-2-62	72026

NO.	NOTES																
1.	<p>WIRING LEGEND</p> <p>DISTANT TERMINAL AREA DISTANT TERMINAL DESIGNATED WIRE COLOR</p>																
2.	<p>COLOR CODE:</p> <table border="0"> <tr> <td>BK</td> <td>BLACK</td> <td>BR</td> <td>BROWN</td> </tr> <tr> <td>Y</td> <td>YELLOW</td> <td>S</td> <td>SLATE</td> </tr> <tr> <td>P</td> <td>PURPLE</td> <td>O</td> <td>ORANGE</td> </tr> <tr> <td>BL</td> <td>BLUE</td> <td>W</td> <td>WHITE</td> </tr> </table>	BK	BLACK	BR	BROWN	Y	YELLOW	S	SLATE	P	PURPLE	O	ORANGE	BL	BLUE	W	WHITE
BK	BLACK	BR	BROWN														
Y	YELLOW	S	SLATE														
P	PURPLE	O	ORANGE														
BL	BLUE	W	WHITE														
3.	CONNECTIONS VIEWED FROM SOLDER TERMINAL ENDS.																
4.	ASSOCIATED CABLE 173448																
5.	ASSOCIATED SCHEMATIC WIRING DIAGRAM 4275WD																
6.	(*) ASTERISK INDICATES 3 WIRE SHIELDED CABLE.																

U
TRANSMITTER BASE
CONNECTOR (PLUG)



M
TRANSMITTER
CONNECTOR
(RECEPTACLE)



**ACTUAL
WIRING DIAGRAM
FOR
LCXB13**

APPROVALS

D AND R <i>O.A.L.</i>	E OF M
--------------------------	--------

E-NUMBER

PROD. NO. 4265WD

DATE: 6-23-60

P.D. FILE NO. 18-A65/2219A

DRAWN. N.J.G.	CHKD. <i>[Signature]</i>
ENGD. D.C.L.	APPD. <i>[Signature]</i>

**TELETYPE
CORPORATION**

4265 WD