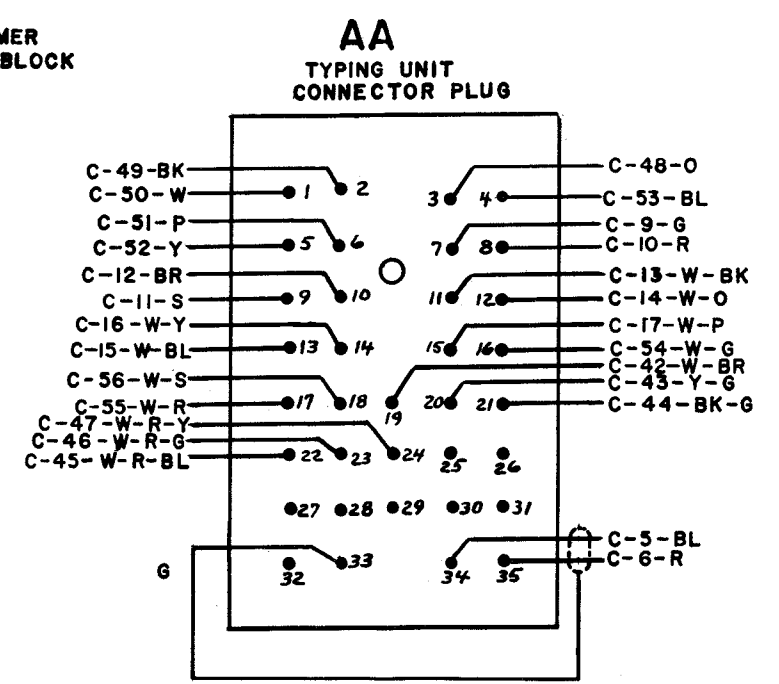
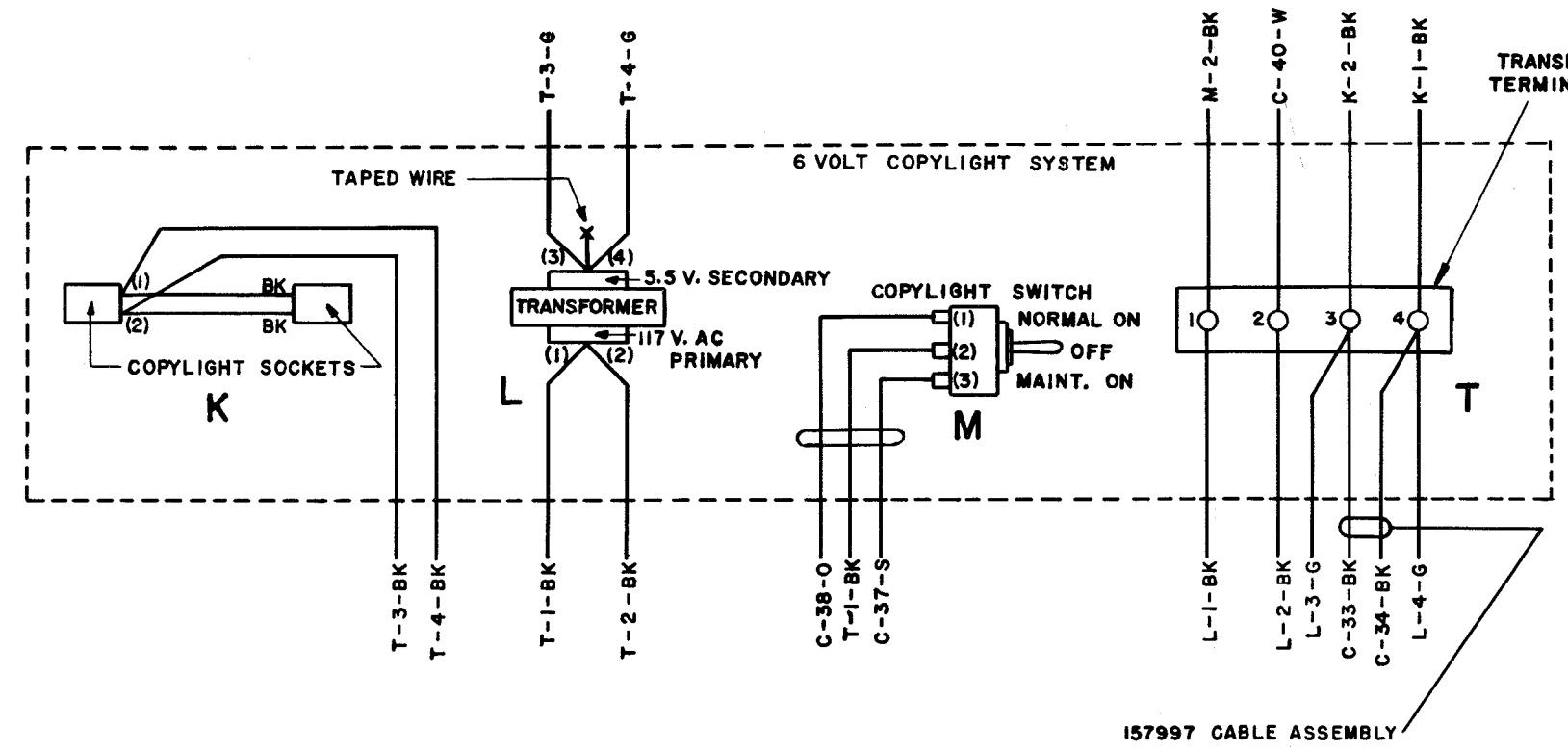
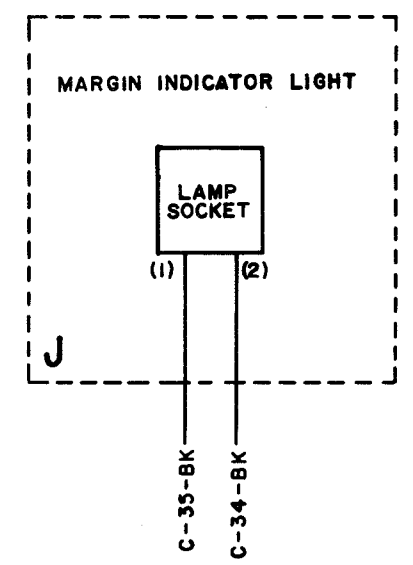
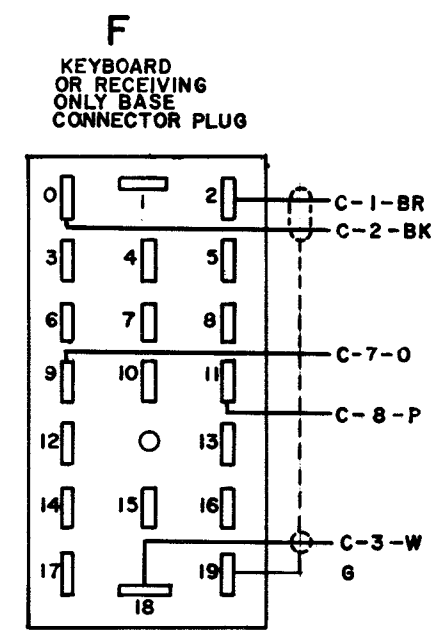
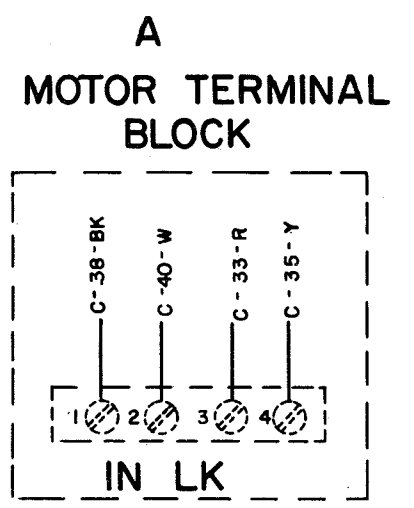
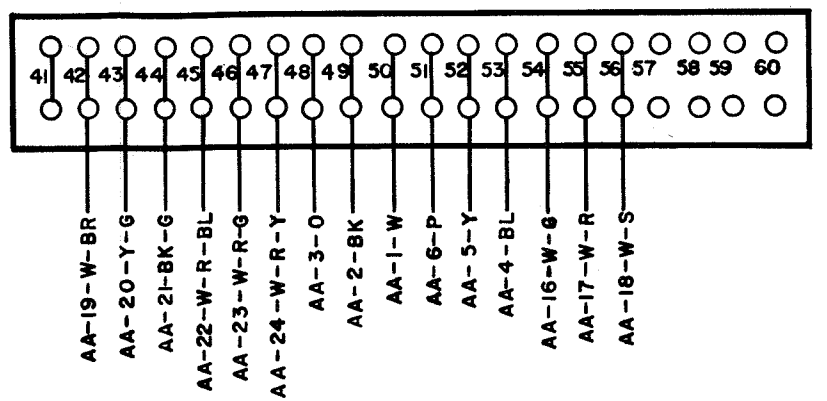
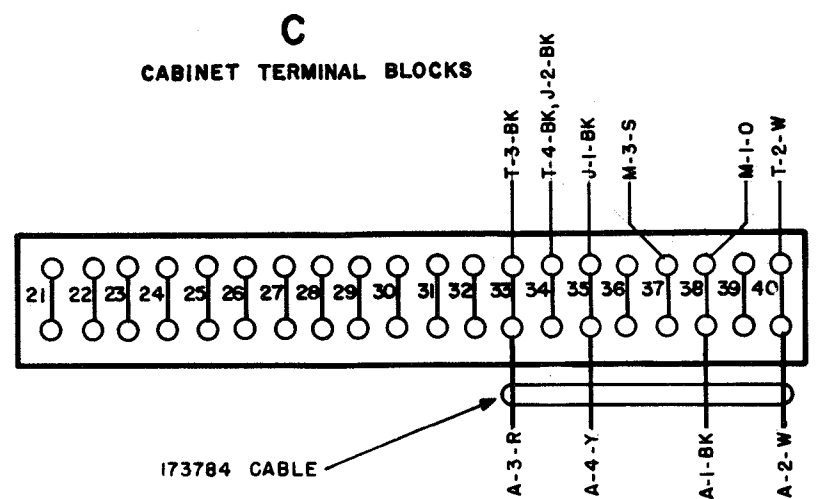
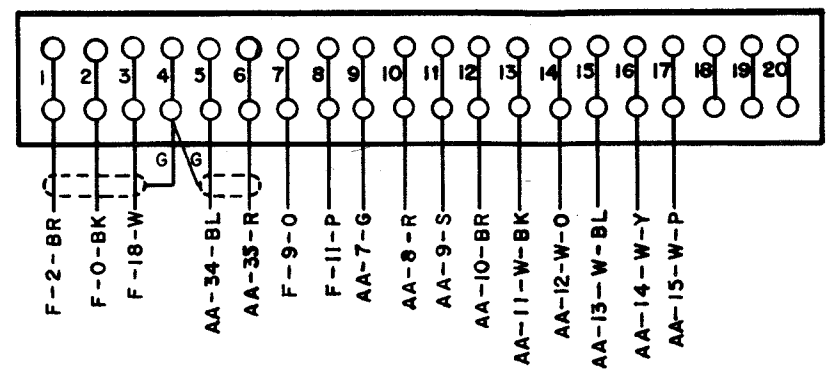


4268WD		
REVISIONS		
ISSUE	DATE	AUTH. NO.
1	9-28-60	CC-106
2	11-18-60	CC-182
3	2-20-61	69061
4	8-17-65	86933

- NO. NOTES
- WIRING LEGEND:**
- DISTANT TERMINATING AREA
 - DISTANT TERMINAL DESIGNATION
 - WIRE COLOR CODE
- COLOR CODE:**
- BK = BLACK P = PURPLE W-BK = WHITE-BLACK W-P = WHITE-PURPLE
 - BL = BLUE R = RED W-BL = WHITE-BLUE W-R = WHITE-RED
 - BR = BROWN S = SLATE W-BR = WHITE-BROWN W-S = WHITE-SLATE
 - G = GREEN Y = YELLOW W-G = WHITE-GREEN W-Y = WHITE-YELLOW
 - O = ORANGE W = WHITE W-O = WHITE-ORANGE
- COMPONENTS SHOWN DOTTED ARE ACCESSORIES TO CABINET.
 - CABINET POWER CIRCUIT WIRED FOR 115V. 50-60~AC OPERATION ONLY.
 - CONNECTORS VIEWED FROM SOLDER TERMINAL END.
 - SHIELDING STRAP OF SELECTOR CABLE.



APPROVALS

D AND R	E OF M
<i>DA</i>	

E-NO.

PROD. NO. 4 268 WD

ACTUAL

WIRING DIAGRAM FOR MODEL 28 PAGE PRINTER CABINET.

LAC 204, 2/4

ARRANGED FOR A. C. APPLICATION ACC. GROUPS 255

DATE: 6-1-60

P.D. FILE NO. 13-A. 65.219A

DRAWN: A.D. CHKD: *DA*

ENGD: V.A.C. APPD: *DA*

TELETYPE CORPORATION

4268WD

63
64