

4272WD

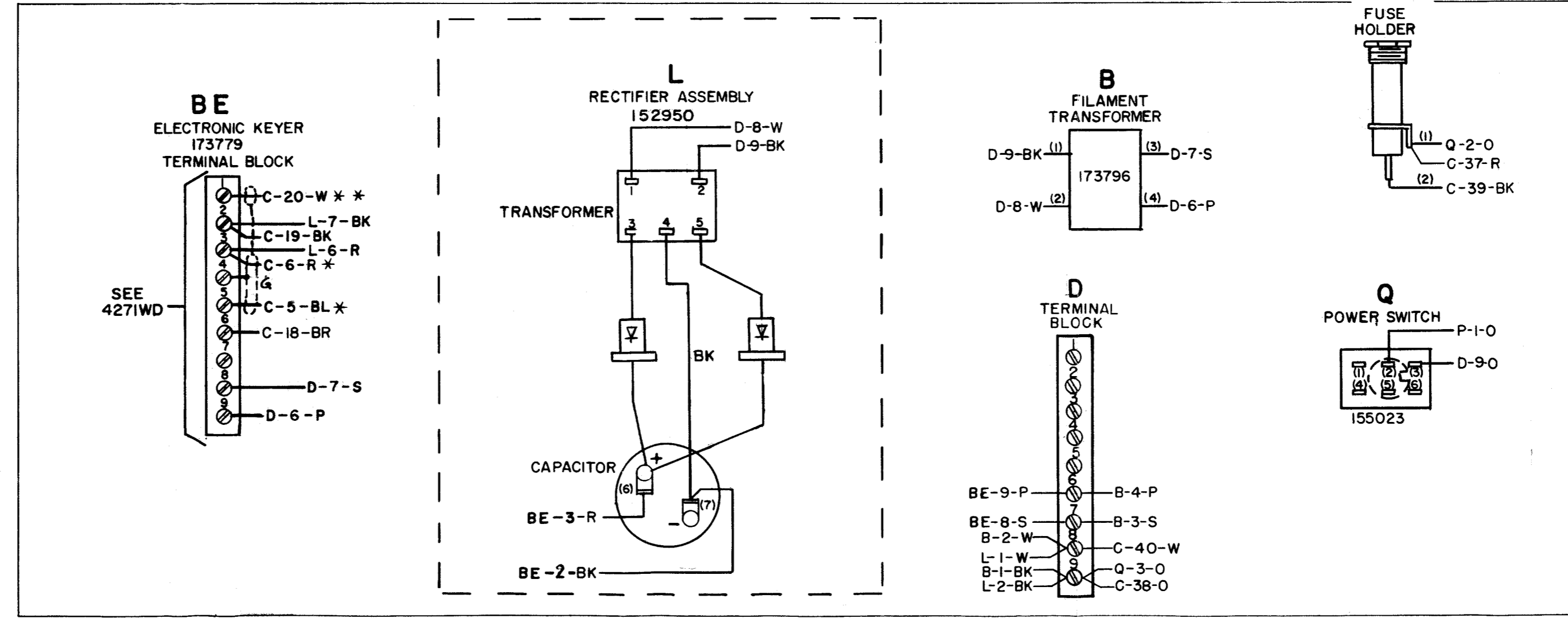
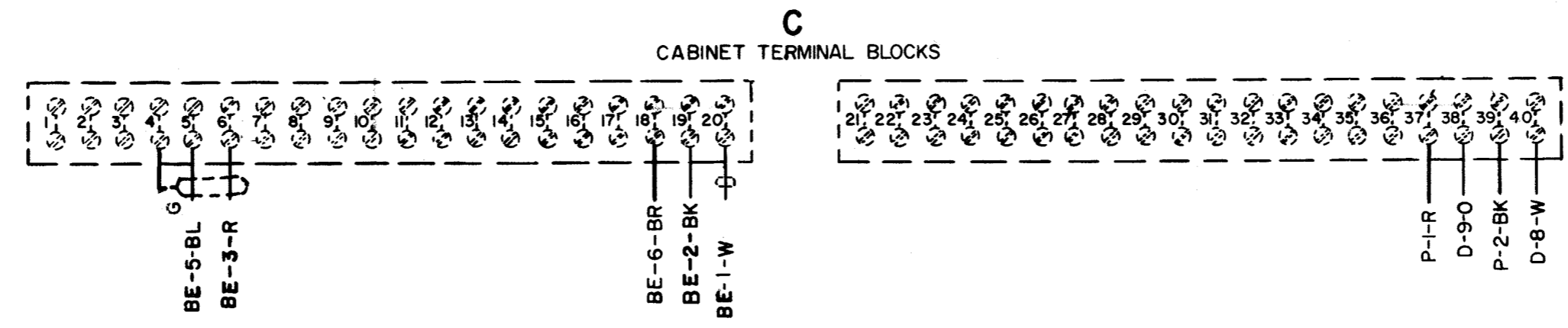
ISSUE	DATE	AUTH. NO.
A	9-28-60	CC-106
B	11-18-60	CC-182
C	11-8-61	71542

NO. NOTES

1. WIRING LEGEND

— DISTANT TERMINATING AREA  
 — DISTANT TERMINAL DESIGNATION  
 L-2-BK WIRE COLOR

3. SEE 4273WD FOR SCHEMATIC WIRING.



ACTUAL  
WIRING DIAGRAM  
ELECTRICAL  
SERVICE ASSEMBLY

173783

APPROVALS	
D AND R <i>O.A.</i>	E OF M
E-NUMBER	
PROD. NO. 4272WD	
DATE: 6-3-60	
P.D. FILE NO. 18-A65/2.219A	
DRAWN N.K.G.	CHKD. <i>for</i>
ENGD. D.C.L.	APPD. <i>for</i>
TELETYPE CORPORATION	
4272WD	