

4272WD

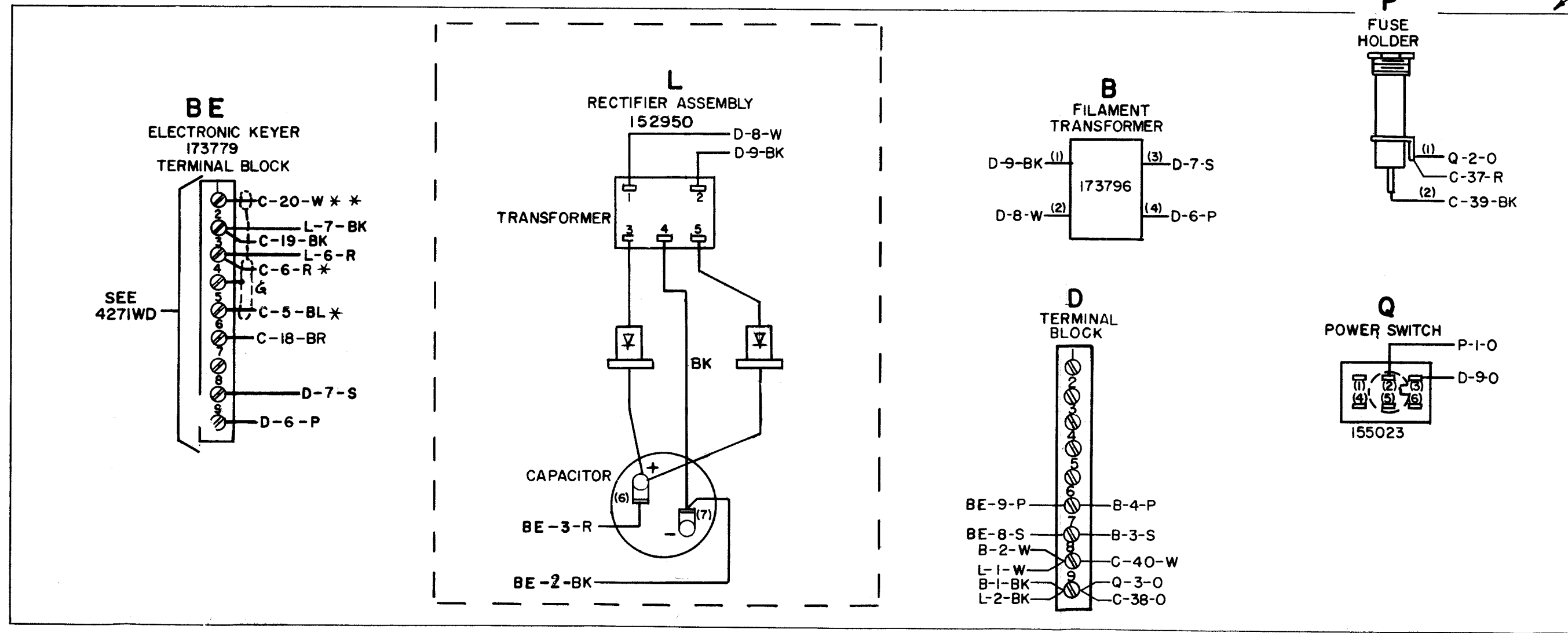
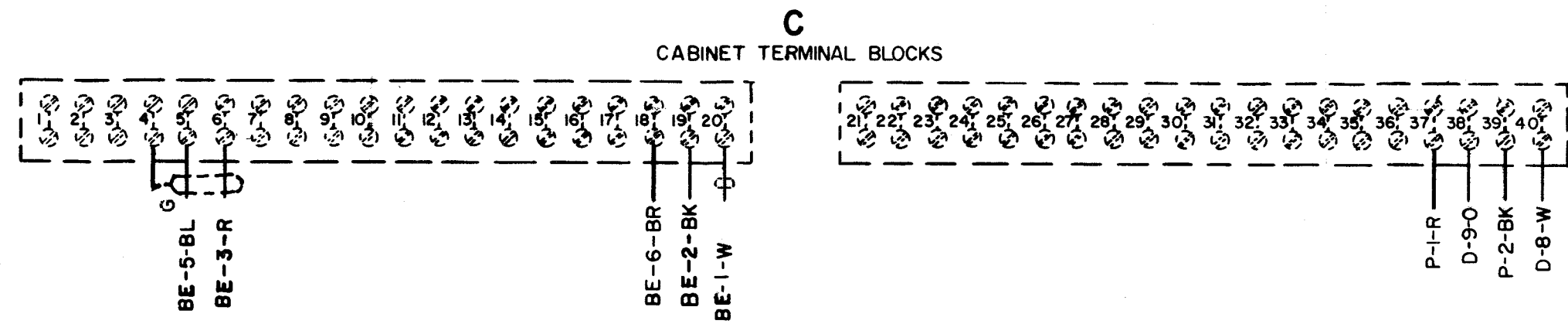
ISSUE	DATE	AUTH. NO.
A	9-28-60	CC-106
B	11-18-60	CC-182
C	11-9-61	71542

NO. 1. NOTES

WIRING LEGEND

— DISTANT TERMINATING AREA
 — DISTANT TERMINAL DESIGNATION
 L-2-BK WIRE COLOR

3. SEE 4273WD FOR SCHEMATIC WIRING.



ACTUAL WIRING DIAGRAM
ELECTRICAL SERVICE ASSEMBLY

173783

APPROVALS

D AND R <i>O.A.L.</i>	E OF M
--------------------------	--------

E-NUMBER

PROD. NO. 4272WD

DATE: 6-3-60

P.D. FILE NO. 18-A65/2.219A

DRAWN N.K.G. CHKD. *ABW*

ENGD. D.C.L. APPD. *ABW*

TELETYPE CORPORATION

4272 WD