

4304WD		
REVISIONS		
ISSUE	DATE	AUTH. NO.
2	9-28-60	CC-106
3	5-5-65	86734-1

- NO. NOTES
- WIRING LEGEND

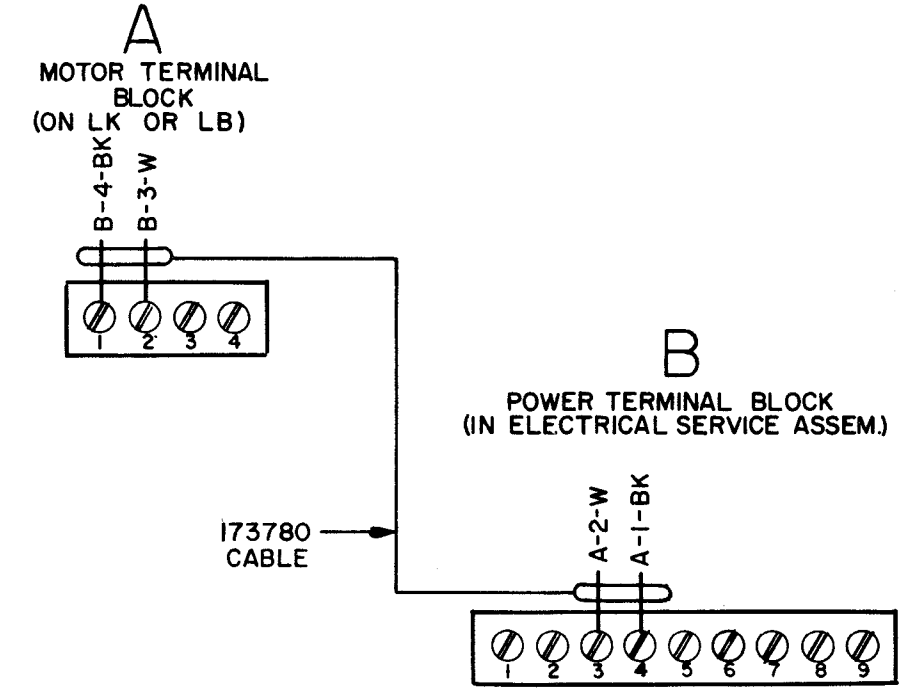
DISTANT TERMINATING AREA
DISTANT TERMINATING DESIGNATION
COLOR CODE
A-2-W
 - COLOR CODE

BK - BLACK	W-R - WHITE-RED
BR - BROWN	W-O - WHITE-ORANGE
R - RED	W-Y - WHITE-YELLOW
O - ORANGE	W-G - WHITE-GREEN
Y - YELLOW	W-BL - WHITE-BLUE
G - GREEN	W-S - WHITE-SLATE
BL - BLUE	W-P - WHITE-PURPLE
S - SLATE	Y-G - YELLOW-GREEN
P - PURPLE	BK-G - BLACK-GREEN
W - WHITE	W-R-G - WHITE-RED-GREEN
W-BK - WHITE-BLACK	W-R-BL - WHITE-RED-BLUE
W-BR - WHITE-BROWN	W-R-Y - WHITE-RED-YELLOW
 - ASSOCIATED CABLE ASSEMBLIES

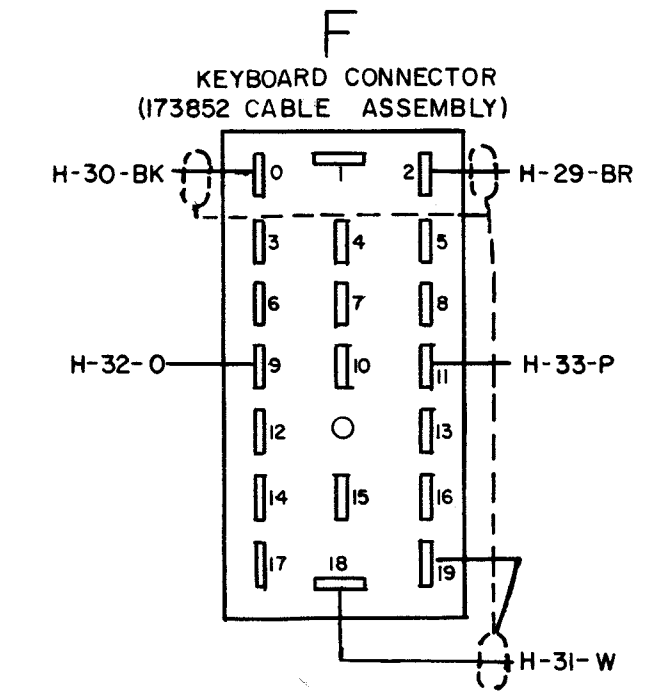
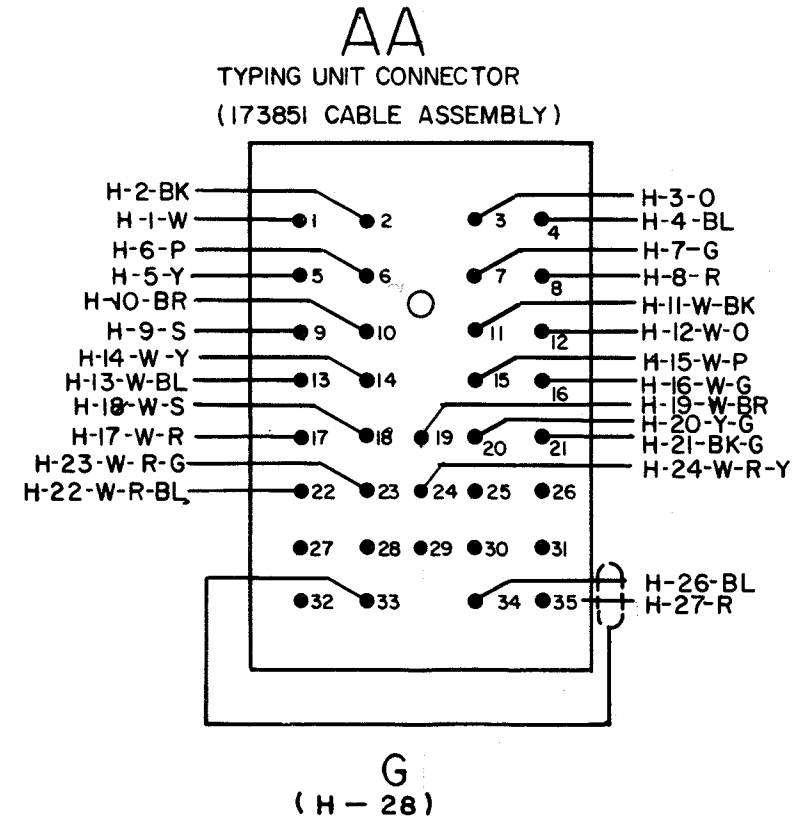
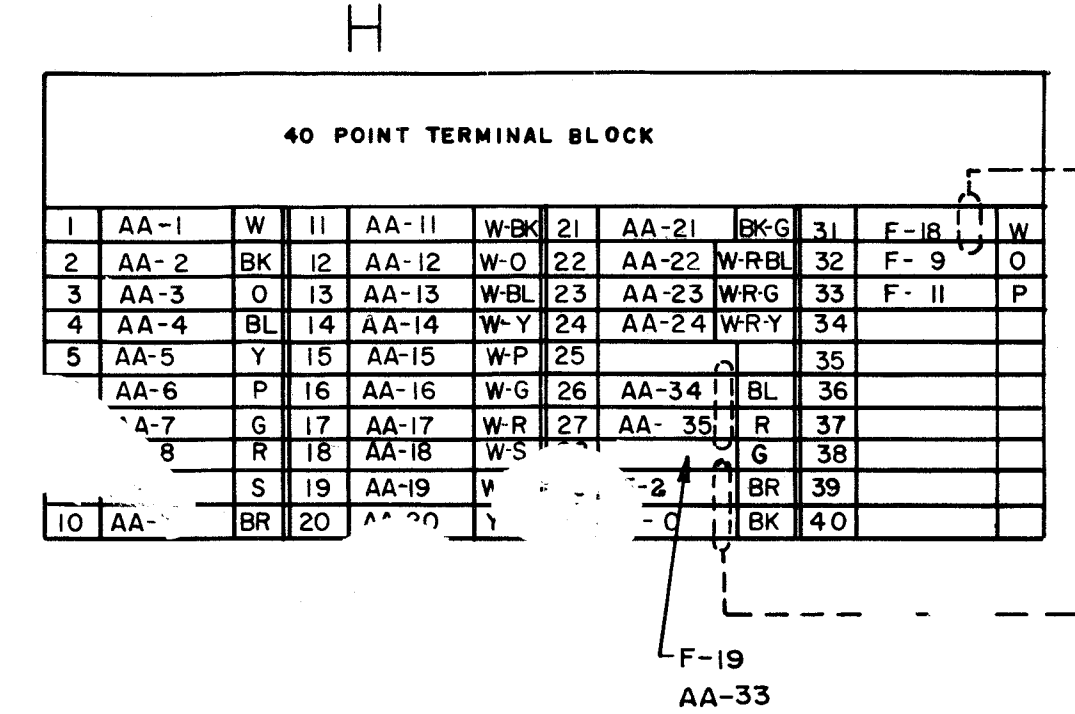
173851
173852
173780

THE 173852 IS NOT NECESSARY WHEN SET IS EQUIPPED WITH LBIO.
 - ALL CONNECTOR VIEWED FROM SOLDER TERMINAL END.
 - FOR SCHEMATIC WIRING DIAGRAM SEE 4269WD.
 - FOR ACTUAL WIRING DIAGRAMS

WD NO.	UNIT
4262 WD	KEYBOARD LK25
4192 WD	TYPING UNIT LP77
4257 WD	COVER LPC206
4270 WD	ELECTRICAL SERVICE ASSEM. 173395



(4)	---	(1)	---	(4)
(8)	---	(5)	---	(8)
(12)	---	(9)	---	(12)
(16)	---	(13)	---	(16)
(20)	---	(17)	---	(20)
(24)	---	(21)	---	(24)
(28)	---	(25)	---	(28)
(32)	---	(29)	---	(32)
(36)	---	(33)	---	(36)
(40)	---	(37)	---	(40)



APPROVALS

D AND R: *DA* E OF M

E NUMBER

PROD. NO 4304 WD

ACTUAL WIRING DIAGRAM FOR CONNECTING 173395 ELECTRICAL SERVICE ASSEMBLY WITH RACK MOUNTING PAGE PRINTER SET

DATE: 8-6-60

P.D. FILE NO. 18-A65/2.28A

DRAWN N.K.G. CHKD. *Phy*

ENGD. D.C.L. APPD. *Phy*

TELETYPE CORPORATION

4304WD