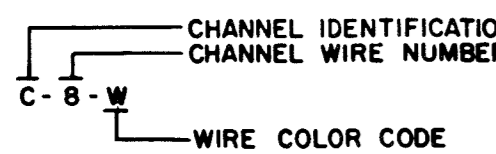
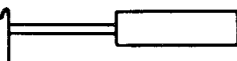
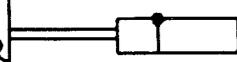

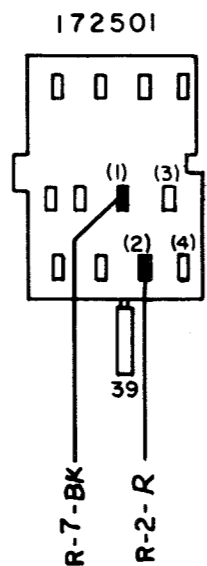
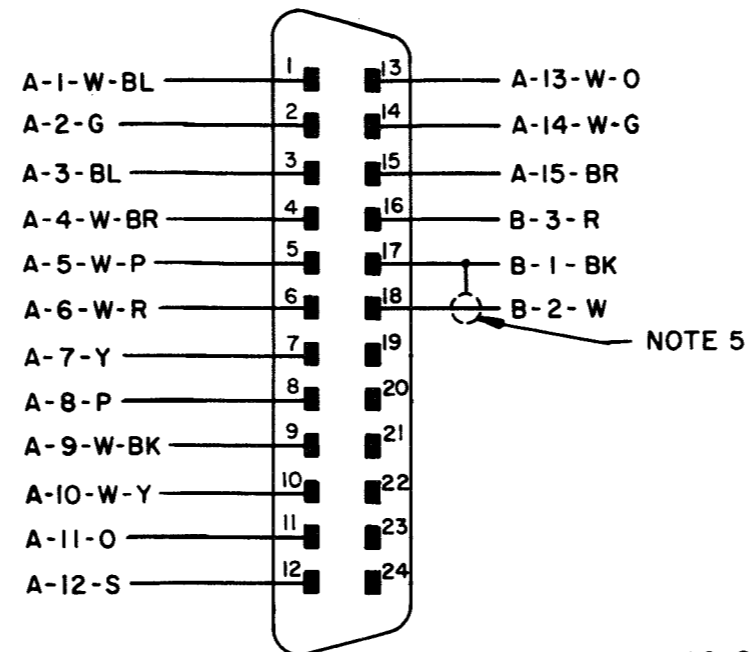


NO.	NOTES
1	CHANNEL LEGEND: 
2	COLOR CODE: BK-BLACK BL-BLUE W-WHITE R-RED Y-YELLOW BR-BROWN P-PURPLE O-ORANGE S-SLATE G-GREEN
3	CONNECTOR VIEWED FROM SOLDERED TERMINAL ENDS.
4	 NORMALLY OPEN CONTACT  NORMALLY CLOSED CONTACT
5	 SHIELDED CABLE
6	ASSOCIATED CABLE ASSEMBLIES: CABLE ASSEMBLY - 152468 (R-D) " " - 153592 (R-C) " " - 158318 (R-E) " " - 198656 (A-B-AG) " " - 164477 (R-F)
7	USED ON LPI55 ONLY.

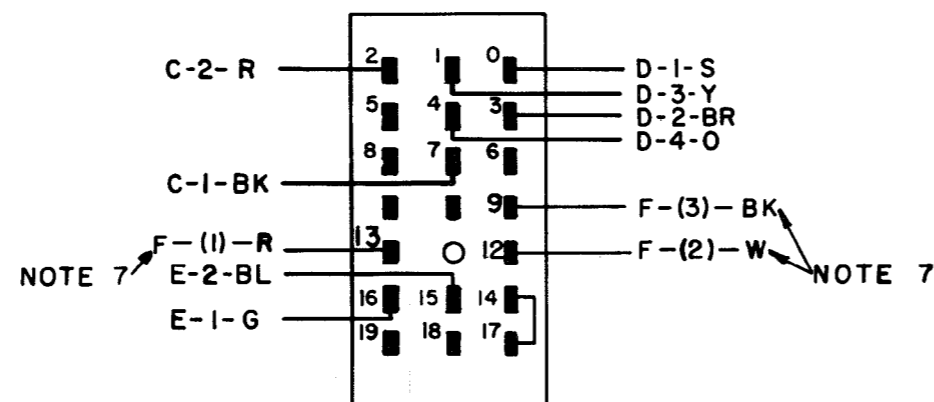
C
STUNT BOX
ARRANGEMENT



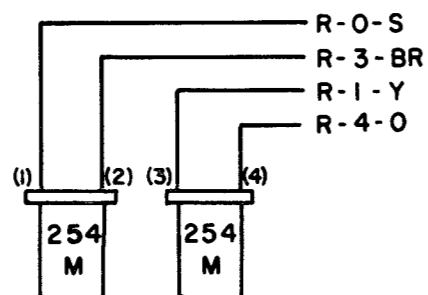
AG
CONNECTOR
142898



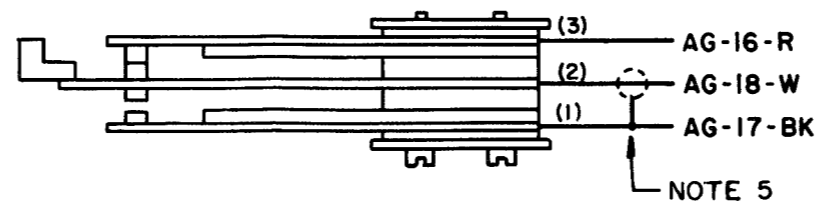
R
PRINTER
CONNECTOR



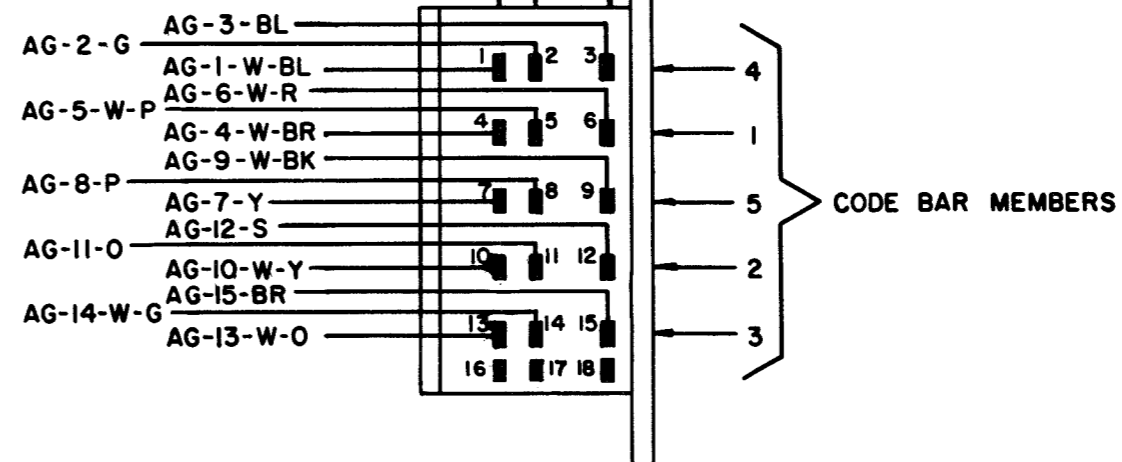
D
SELECTOR MAGNETS



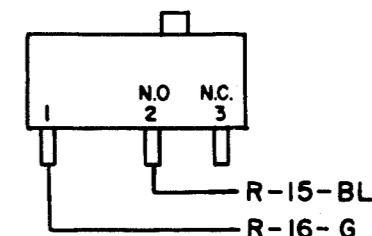
B
UNIVERSAL CONTACTS
163146



A
CODE
SENSING SWITCH
173886



E
PAPER-OUT ALARM
SWITCH



6487 WD

REVISIONS

ISSUE NO.	DATE	AUTHOR. NO.
1	3-4-65	86301
2	3-4-66	89998
3	5-31-66	90956
4	6-19-67	93282
5	6-17-68	95904

LEGEND
S = SPACING
C = COMMON
M = MARKING

ACTUAL
WIRING DIAGRAM
FOR
MODEL 28
TYPING UNITS
LPI15 & LPI55
STUNT BOX
AJR AJB

APPROVALS

R & D <i>[Signature]</i>	E OF M <i>[Signature]</i>
DATE: 6-8-63	
P.D. FILE: 25-A65.219A	
E-NO.	
PROD. NO. 6487 WD	
DRAWN: E.M. CHKD: <i>[Signature]</i>	
ENG: J.C.F.	APPD: <i>[Signature]</i>

TELETYPE
CORPORATION

6487 WD