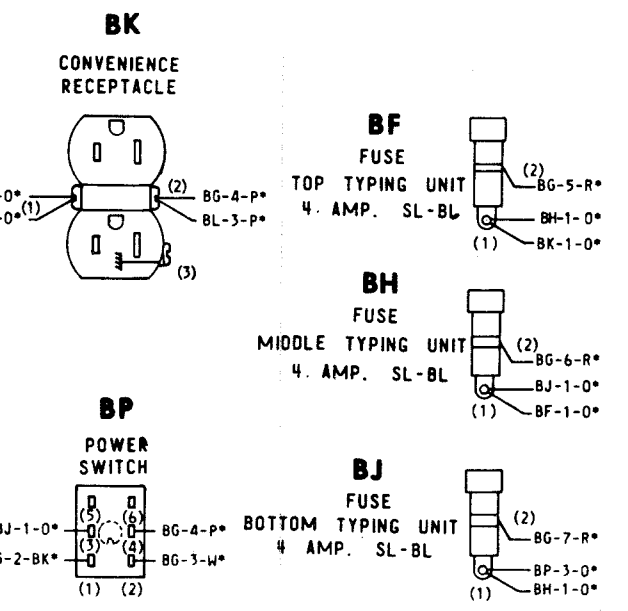
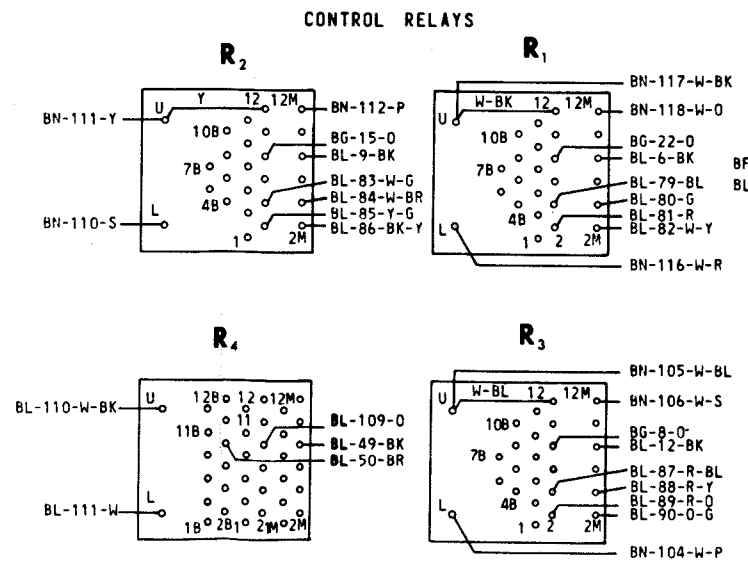
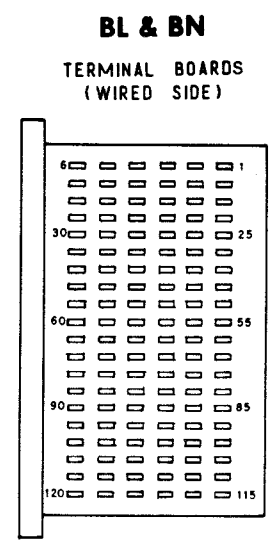
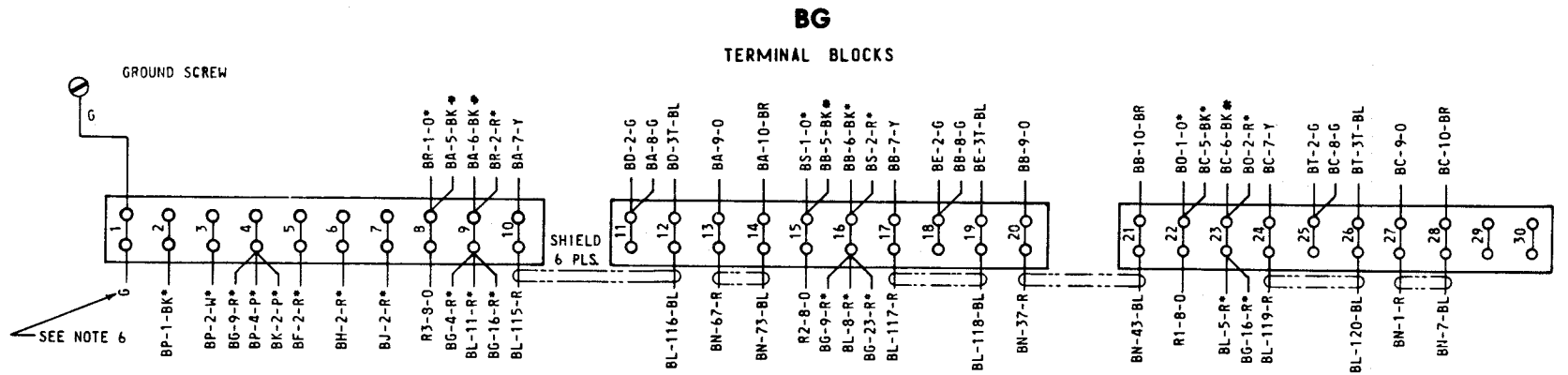
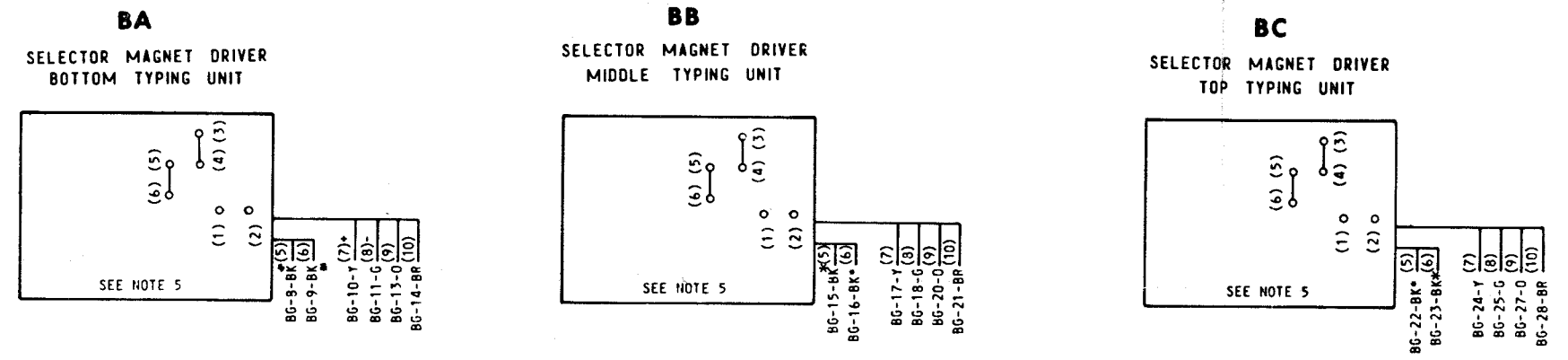
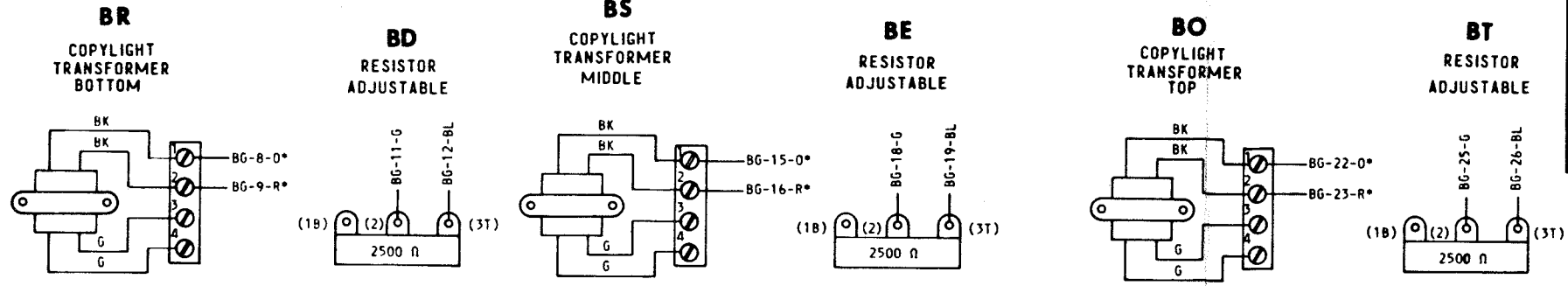


REVISIONS

| ISSUE | DATE | AUTH. NO. |
|-------|--------|-----------|
| 1 | 9-4-64 | 15987-R |
| 2 | 4-2-65 | 86688 |

- NO. NOTES
- SHEET 1: ACTUAL WIRING OF 179376 CABLE ASSEMBLY (PART OF 304230).
SHEET 2: ACTUAL WIRING OF 304224 CABLE ASSEMBLY.
SHEET 3: ACTUAL WIRING OF BL AND BN TERMINAL BOARDS.
SCHEMATIC DIAGRAM - 7087WD
 - WIRING LEGEND:
 - DISTANT TERMINATING AREA
 - DISTANT TERMINATING DESIGNATION
 - WIRE COLOR CODE
 - COLOR CODE:

| | |
|----------|----------|
| BK-BLACK | P-PURPLE |
| BL-BLUE | R-RED |
| BR-BROWN | S-SLATE |
| G-GREEN | W-WHITE |
| O-ORANGE | Y-YELLOW |
 - COMPONENTS VIEWED FROM SOLDER TERMINAL ENDS.
 - a. STRAPPING FOR SELECTOR MAGNET DRIVER INPUT OPTIONS:
 .020 AMP. NEUTRAL OPERATION
 1-2 OPEN 3-4 OPEN
 .060 AMP. NEUTRAL OPERATION
 1-2 STRAPPED 3-4 OPEN
 .020 TO .030 AMP. POLAR OPERATION
 1-2 OPEN 3-4 STRAPPED
 b. FACTORY STRAPPING: 3 TO 4
 - CUSTOMER TO INSTALL GROUND WIRE IN THIS POSITION.
 - INDICATES 18 GA. WIRE.
 INDICATES SHIELDED CABLE. ALL OTHER WIRE 24 GA.
 - INDICATES SPLICE.
 - SL-BL INDICATES SLOW-BLOWING.
 - SPECIFICATION NUMBER: 603115
 - TERMINAL DESIGNATIONS IN PARENTHESIS DO NOT APPEAR ON COMPONENTS.
 - SHIELDS CONNECTED TO THE AR CONNECTOR PLUG ARE ISOLATED FROM ALL OTHER SHIELDS AND ARE CONNECTED TO TERMINAL 52 OF THE BL TERMINAL BOARD.



SHEET 1 OF 3

ACTUAL WIRING DIAGRAM
LBAC255

(WIRING OF ELECTRICAL SERVICE ASSEMBLY 304230)

APPROVALS

| | |
|---------|--------|
| D AND R | E OF M |
|---------|--------|

E-NUMBER

PROD. NO. 7149WD

DATE 6/11/64

P.D. FILE NO. 42-A2/65AA

DRAWN CHKD.

ENGD. P.P.P. APPD. EJC

TELETYPE CORPORATION

7149WD

SEE SHEET 1 FOR NOTES.
ALL LEADS ON THIS SHEET
ARE PART OF 304224 CABLE
ASSEMBLY.

RECEPTACLE CONNECTORS

7149WD

| ISSUE | DATE | AUTH. NO. |
|-------|--------|-----------|
| 1 | 9-4-64 | 15987-R |
| 2 | 4-2-65 | 88688 |

STUNT BOX
(OUTER)

PRINTER
(INNER)

BASE OR
KEYBOARD

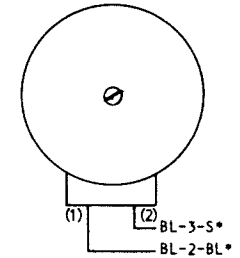
POWER
SWITCHES

COPY
LAMP HOLDERS

COPYRIGHT
TRANSFORMER
TERMINAL
BOARD

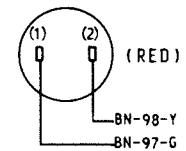
AD

SIGNAL BELL



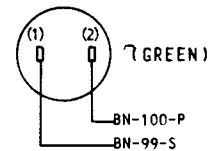
AE

STAND-BY
INDICATOR LAMP



AF

OPERATE
INDICATOR LAMP



SHEET 2 OF 3

ACTUAL
WIRING DIAGRAM
FOR
LBAC255

APPROVALS

D AND R E OF M

E-NUMBER

PRD NO 7149WD

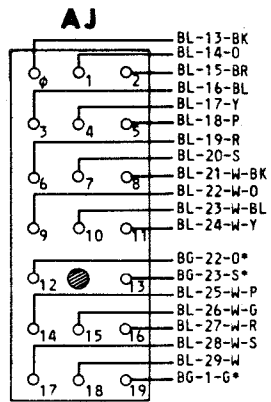
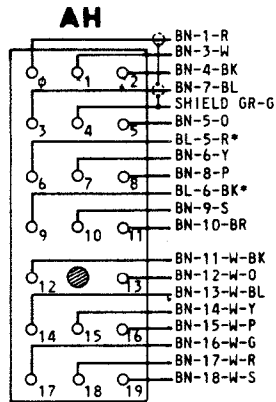
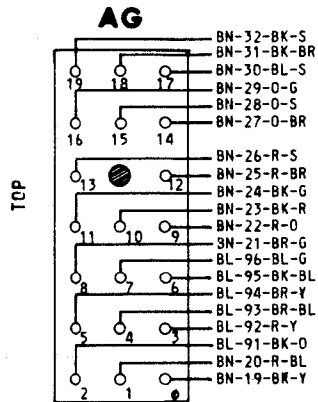
DATE 6-16-64

P.D. FILE NO 42-A2/65AA

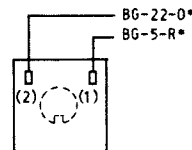
DRAWN CHKD
ENGR P.P.P. APD

TELETYPE
CORPORATION

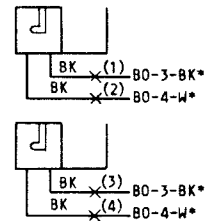
7149WD



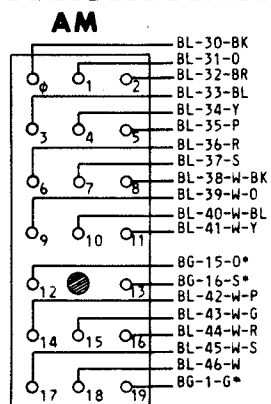
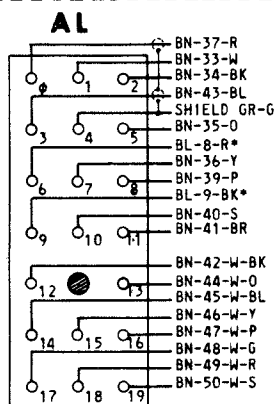
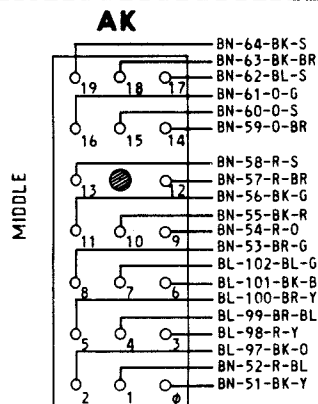
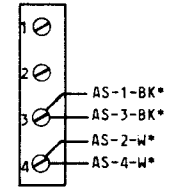
AA



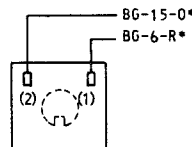
AS



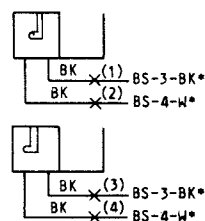
BO



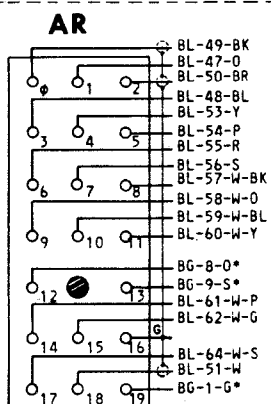
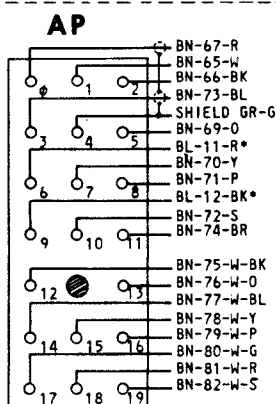
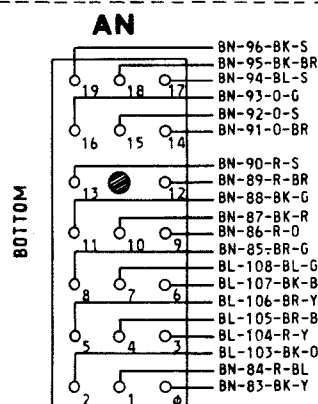
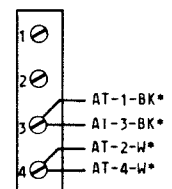
AB



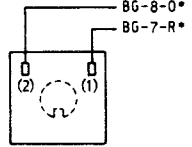
AT



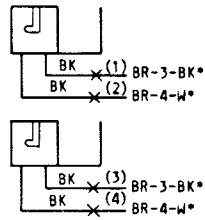
BS



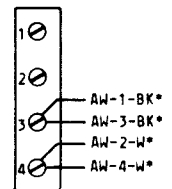
AC



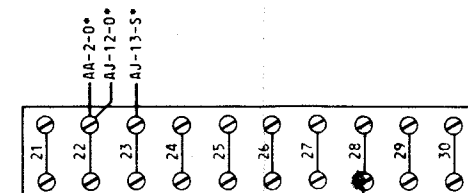
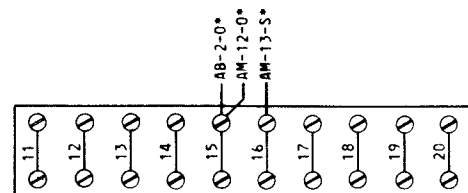
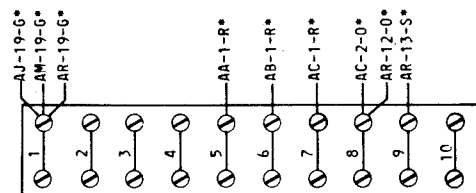
AW



BR



BG
TERMINAL BOARDS
(ON ELECTRICAL SERVICE ASSEMBLY)



SEE SHEET 1 FOR NOTES.
SEE SHEET 2 FOR NUMBERING OF TERMINAL BOARDS.

179376 CABLE ASSEMBLY

7149WD

| BL TERMINAL BOARD LEGEND | | | |
|--------------------------|-------------|-----|--------------|
| NO. | DESTINATION | NO. | DESTINATION |
| 1 | BK-1-D* | 31 | |
| 2 | | 32 | |
| 3 | BK-2-P* | 33 | |
| 4 | | 34 | |
| 5 | BG-23-R* | 35 | |
| 6 | R1-8M-BK | 36 | |
| 7 | | 37 | |
| 8 | BG-16-R* | 38 | |
| 9 | R2-8M-BK | 39 | |
| 10 | | 40 | |
| 11 | BG-9-R* | 41 | |
| 12 | R3-8M-BK | 42 | |
| 13 | | 43 | |
| 14 | | 44 | |
| 15 | | 45 | |
| 16 | | 46 | |
| 17 | | 47 | |
| 18 | | 48 | |
| 19 | | 49 | R4-8M-BK |
| 20 | | 50 | R4-8B-BR |
| 21 | | 51 | |
| 22 | | 52 | |
| 23 | | 53 | |
| 24 | | 54 | |
| 25 | | 55 | |
| 26 | | 56 | |
| 27 | | 57 | |
| 28 | | 58 | |
| 29 | | 59 | |
| 30 | | 60 | |
| | | 61 | R1-4-BL |
| | | 62 | R1-4M-G |
| | | 63 | R1-2-R |
| | | 64 | R1-2M-W-Y |
| | | 65 | R2-4-W-G |
| | | 66 | R2-4M-W-BR |
| | | 67 | R2-2-Y-G |
| | | 68 | R2-2M-BK-Y |
| | | 69 | R3-4-R-BL |
| | | 70 | R3-4M-R-Y |
| | | 71 | R3-2-R-O |
| | | 72 | R3-2M-O-G |
| | | 73 | |
| | | 74 | |
| | | 75 | |
| | | 76 | |
| | | 77 | |
| | | 78 | |
| | | 79 | R1-4-BL |
| | | 80 | R1-4M-G |
| | | 81 | R1-2-R |
| | | 82 | R1-2M-W-Y |
| | | 83 | R2-4-W-G |
| | | 84 | R2-4M-W-BR |
| | | 85 | R2-2-Y-G |
| | | 86 | R2-2M-BK-Y |
| | | 87 | R3-4-R-BL |
| | | 88 | R3-4M-R-Y |
| | | 89 | R3-2-R-O |
| | | 90 | R3-2M-O-G |
| | | 91 | |
| | | 92 | |
| | | 93 | |
| | | 94 | |
| | | 95 | |
| | | 96 | |
| | | 97 | |
| | | 98 | |
| | | 99 | |
| | | 100 | |
| | | 101 | |
| | | 102 | |
| | | 103 | |
| | | 104 | |
| | | 105 | |
| | | 106 | |
| | | 107 | |
| | | 108 | |
| | | 109 | R4-8-O |
| | | 110 | R4-U-W-BK |
| | | 111 | R4-L-W |
| | | 112 | |
| | | 113 | |
| | | 114 | SHIELD GR.-G |
| | | 115 | BG-10-R |
| | | 116 | BG-12-BL |
| | | 117 | BG-17-R |
| | | 118 | BG-19-BL |
| | | 119 | BG-24-R |
| | | 120 | BG-26-BL |

| BN TERMINAL BOARD LEGEND | | | |
|--------------------------|--------------|-----|--------------|
| NO. | DESTINATION | NO. | DESTINATION |
| 1 | BG-27-R | 31 | |
| 2 | SHIELD GR.-G | 32 | |
| 3 | | 33 | |
| 4 | | 34 | |
| 5 | | 35 | |
| 6 | | 36 | |
| 7 | BG-28-BL | 37 | BG-20-R |
| 8 | | 38 | SHIELD GR.-G |
| 9 | | 39 | |
| 10 | | 40 | |
| 11 | | 41 | |
| 12 | | 42 | |
| 13 | | 43 | BG-21-BL |
| 14 | | 44 | |
| 15 | | 45 | |
| 16 | | 46 | |
| 17 | | 47 | |
| 18 | | 48 | |
| 19 | | 49 | |
| 20 | | 50 | |
| 21 | | 51 | |
| 22 | | 52 | |
| 23 | | 53 | |
| 24 | | 54 | |
| 25 | | 55 | |
| 26 | | 56 | |
| 27 | | 57 | |
| 28 | | 58 | |
| 29 | | 59 | |
| 30 | | 60 | |
| | | 61 | |
| | | 62 | |
| | | 63 | |
| | | 64 | |
| | | 65 | |
| | | 66 | |
| | | 67 | BG-13-R |
| | | 68 | SHIELD GR.-G |
| | | 69 | |
| | | 70 | |
| | | 71 | |
| | | 72 | |
| | | 73 | BG-14-BL |
| | | 74 | |
| | | 75 | |
| | | 76 | |
| | | 77 | |
| | | 78 | |
| | | 79 | |
| | | 80 | |
| | | 81 | R2-L-S |
| | | 82 | R2-U-Y |
| | | 83 | R2-12M-P |
| | | 84 | |
| | | 85 | |
| | | 86 | R1-L-W-R |
| | | 87 | R1-U-W-BK |
| | | 88 | R1-12M-W-O |
| | | 89 | |
| | | 90 | |
| | | 91 | |
| | | 92 | |
| | | 93 | |
| | | 94 | |
| | | 95 | |
| | | 96 | |
| | | 97 | |
| | | 98 | |
| | | 99 | |
| | | 100 | |
| | | 101 | |
| | | 102 | |
| | | 103 | |
| | | 104 | R3-L-W-P |
| | | 105 | R3-U-W-BL |
| | | 106 | R3-12M-W-S |
| | | 107 | |
| | | 108 | |
| | | 109 | |
| | | 110 | R2-L-S |
| | | 111 | R2-U-Y |
| | | 112 | R2-12M-P |
| | | 113 | |
| | | 114 | |
| | | 115 | |
| | | 116 | R1-L-W-R |
| | | 117 | R1-U-W-BK |
| | | 118 | R1-12M-W-O |
| | | 119 | |
| | | 120 | |

| ISSUE | DATE | AUTH. NO. |
|-------|--------|-----------|
| 1 | 9-4-64 | 15987-R |
| 2 | 4-2-65 | 86688 |

304224 CABLE ASSEMBLY

| BL TERMINAL BOARD LEGEND | | | |
|--------------------------|-------------|-----|-----------------------|
| NO. | DESTINATION | NO. | DESTINATION |
| 1 | | 31 | AN-1-O |
| 2 | AD-1-BL* | 32 | AM-2-BR |
| 3 | AD-2-S* | 33 | AM-3-BL |
| 4 | | 34 | AM-4-Y |
| 5 | AH-6-R* | 35 | AM-5-P |
| 6 | AH-9-BK* | 36 | AM-6-R |
| 7 | | 37 | AM-7-S |
| 8 | AL-6-R* | 38 | AM-8-W-BK |
| 9 | AL-9-BK* | 39 | AM-9-W-O |
| 10 | | 40 | AM-10-W-BL |
| 11 | AP-6-R* | 41 | AM-11-W-Y |
| 12 | AP-9-BK* | 42 | AM-14-W-P |
| 13 | AJ-φ-9K | 43 | AM-15-W-G |
| 14 | AJ-1-O | 44 | AM-16-W-R |
| 15 | AJ-2-BR | 45 | AM-17-W-S |
| 16 | AJ-3-BL | 46 | AM-18-W |
| 17 | AJ-4-Y | 47 | AR-1-O |
| 18 | AJ-5-P | 48 | AR-3-BL |
| 19 | AJ-6-R | 49 | AR-φ-BK |
| 20 | AJ-7-S | 50 | AR-2-BR |
| 21 | AJ-8-W-BK | 51 | AR-18-W |
| 22 | AJ-9-W-O | 52 | SHIELD GR.-G(NOTE 12) |
| 23 | AJ-10-W-BL | 53 | AR-4-Y |
| 24 | AJ-11-W-Y | 54 | AR-5-P |
| 25 | AJ-14-W-P | 55 | AR-6-R |
| 26 | AJ-15-W-G | 56 | AR-7-S |
| 27 | AJ-16-W-R | 57 | AR-8-W-BK |
| 28 | AJ-17-W-S | 58 | AR-9-W-O |
| 29 | AJ-18-W | 59 | AR-10-W-BL |
| 30 | AM-φ-BK | 60 | AR-11-W-Y |
| | | 61 | AR-14-W-P |
| | | 62 | AR-15-W-G |
| | | 63 | |
| | | 64 | AR-17-W-S |
| | | 65 | |
| | | 66 | |
| | | 67 | |
| | | 68 | |
| | | 69 | |
| | | 70 | |
| | | 71 | |
| | | 72 | |
| | | 73 | |
| | | 74 | |
| | | 75 | |
| | | 76 | |
| | | 77 | |
| | | 78 | |
| | | 79 | |
| | | 80 | |
| | | 81 | |
| | | 82 | |
| | | 83 | |
| | | 84 | BN-2-G |
| | | 85 | |
| | | 86 | |
| | | 87 | |
| | | 88 | |
| | | 89 | |
| | | 90 | |
| | | 91 | AG-2-BK-O |
| | | 92 | AG-3-R-Y |
| | | 93 | AG-4-BR-BL |
| | | 94 | AG-5-BR-Y |
| | | 95 | AG-6-BK-BL |
| | | 96 | AG-7-BL-G |
| | | 97 | AK-2-BK-O |
| | | 98 | AK-3-R-Y |
| | | 99 | AK-4-BR-BL |
| | | 100 | AK-5-BR-Y |
| | | 101 | AK-6-BK-BL |
| | | 102 | AK-7-BL-G |
| | | 103 | AN-2-BK-O |
| | | 104 | AN-3-R-Y |
| | | 105 | AN-4-BR-BL |
| | | 106 | AN-5-BR-Y |
| | | 107 | AN-6-BK-BL |
| | | 108 | AN-7-BL-G |
| | | 109 | |
| | | 110 | |
| | | 111 | |
| | | 112 | |
| | | 113 | |
| | | 114 | BN-2-G |
| | | 115 | |
| | | 116 | |
| | | 117 | |
| | | 118 | |
| | | 119 | |
| | | 120 | |

| BN TERMINAL BOARD LEGEND | | | |
|--------------------------|----------------------|-----|----------------------|
| NO. | DESTINATION | NO. | DESTINATION |
| 1 | AH-φ-R | 31 | AG-18-BK-BR |
| 2 | SHIELD GR.-G(BN-2-G) | 32 | AG-19-BK-S |
| 3 | AH-1-W | 33 | AL-1-W |
| 4 | AH-2-BK | 34 | AL-2-BK |
| 5 | AH-5-O | 35 | AL-5-O |
| 6 | AH-7-Y | 36 | AL-7-Y |
| 7 | AH-3-BL | 37 | AL-φ-R |
| 8 | AH-8-P | 38 | SHIELD GR.-G(BN-2-G) |
| 9 | AH-10-S | 39 | AL-8-P |
| 10 | AH-11-BR | 40 | AL-10-S |
| 11 | AH-12-W-BK | 41 | AL-11-BR |
| 12 | AH-13-W-O | 42 | AL-12-W-BK |
| 13 | AH-14-W-BL | 43 | AL-3-BL |
| 14 | AH-15-W-Y | 44 | AL-13-W-O |
| 15 | AH-16-W-P | 45 | AL-14-W-BL |
| 16 | AH-17-W-G | 46 | AL-15-W-Y |
| 17 | AH-18-W-R | 47 | AL-16-W-P |
| 18 | AH-19-W-S | 48 | AL-17-W-G |
| 19 | AG-φ-BK-Y | 49 | AL-18-W-R |
| 20 | AG-1-R-BL | 50 | AL-19-W-S |
| 21 | AG-8-BR-G | 51 | AK-φ-BK-Y |
| 22 | AG-9-R-O | 52 | AK-1-R-BL |
| 23 | AG-10-BK-R | 53 | AK-8-BR-G |
| 24 | AG-11-BK-G | 54 | AK-9-R-O |
| 25 | AG-12-R-BR | 55 | AK-10-BK-R |
| 26 | AG-13-R-S | 56 | AK-11-BK-G |
| 27 | AG-14-O-BR | 57 | AK-12-R-BR |
| 28 | AG-15-O-S | 58 | AK-13-R-S |
| 29 | AG-16-O-G | 59 | AK-14-O-BR |
| 30 | AG-17-BL-S | 60 | AK-15-O-S |
| | | 61 | AK-16-O-G |
| | | 62 | AK-17-BL-S |
| | | 63 | AK-18-BK-BR |
| | | 64 | AK-19-BK-S |
| | | 65 | AP-1-W |
| | | 66 | AP-2-BK |
| | | 67 | AP-φ-R |
| | | 68 | SHIELD GR.-G(BN-2-G) |
| | | 69 | AP-5-O |
| | | 70 | AP-7-Y |
| | | 71 | AP-8-P |
| | | 72 | AP-10-S |
| | | 73 | AP-3-BL |
| | | 74 | AP-11-BR |
| | | 75 | AP-12-W-BK |
| | | 76 | AP-13-W-O |
| | | 77 | AP-14-W-BL |
| | | 78 | AP-15-W-Y |
| | | 79 | AP-16-W-P |
| | | 80 | AP-17-W-G |
| | | 81 | AP-18-W-R |
| | | 82 | AP-19-W-S |
| | | 83 | AN-φ-BK-Y |
| | | 84 | AN-1-R-BL |
| | | 85 | AN-8-BR-G |
| | | 86 | AN-9-R-O |
| | | 87 | AN-10-BK-R |
| | | 88 | AN-11-BK-G |
| | | 89 | AN-12-R-BR |
| | | 90 | AN-13-R-S |
| | | 91 | AN-14-O-BR |
| | | 92 | AN-15-O-S |
| | | 93 | AN-16-O-G |
| | | 94 | AN-17-BL-S |
| | | 95 | AN-18-BK-BR |
| | | 96 | AN-19-BK-S |
| | | 97 | AE-1-G |
| | | 98 | AE-2-Y |
| | | 99 | AF-1-S |
| | | 100 | AF-2-P |
| | | 101 | |
| | | 102 | |
| | | 103 | |
| | | 104 | |
| | | 105 | |
| | | 106 | |
| | | 107 | |
| | | 108 | |
| | | 109 | |
| | | 110 | |
| | | 111 | |
| | | 112 | |
| | | 113 | |
| | | 114 | |
| | | 115 | |
| | | 116 | |
| | | 117 | |
| | | 118 | |
| | | 119 | |
| | | 120 | |

SHEET 3 OF 3

ACTUAL
WIRING DIAGRAM
LBAC255
(WIRING OF BL AND BN
TERMINAL BOARDS)

APPROVALS
I AND R E OF M
[Signature] *[Signature]*

E-NUMBER
PRG NO 7149WD

DATE: 7-10-64
PL FILE NO. 42-A2-65AA

DRAWN CHKD
ENGD PPP APPD *[Signature]*

TELETYPE CORPORATION
7149WD