

- NO. NOTES**
- CHANNEL LEGEND:**

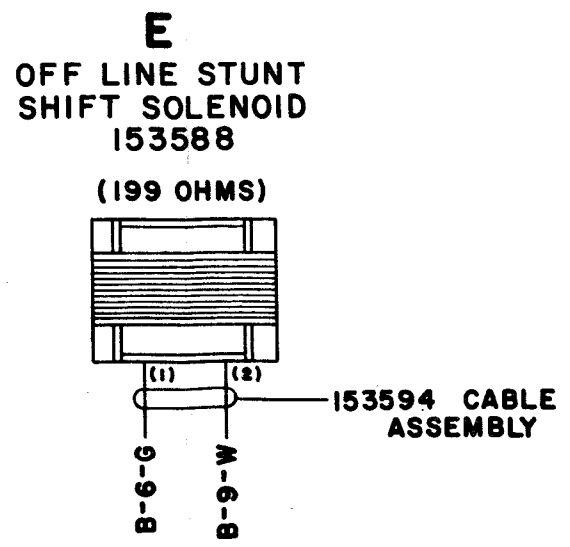
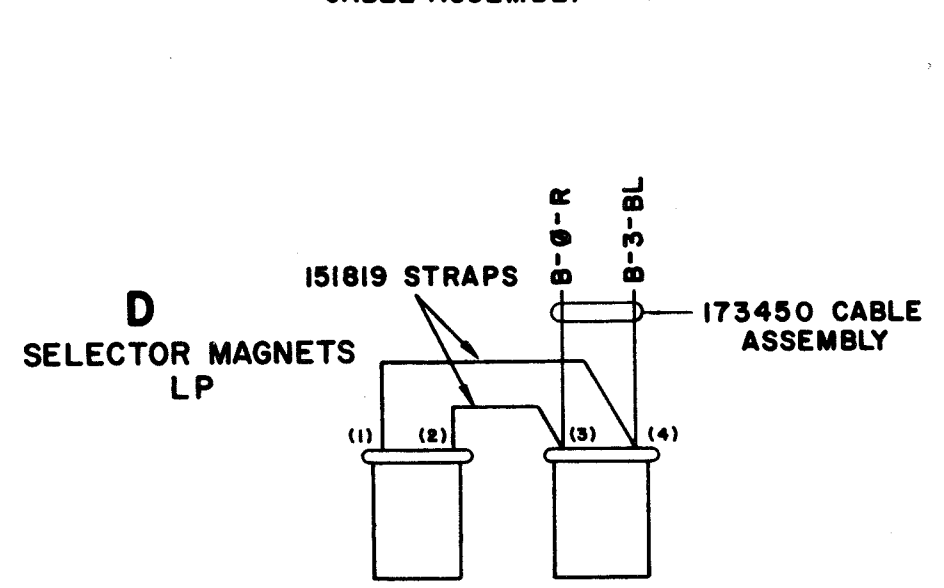
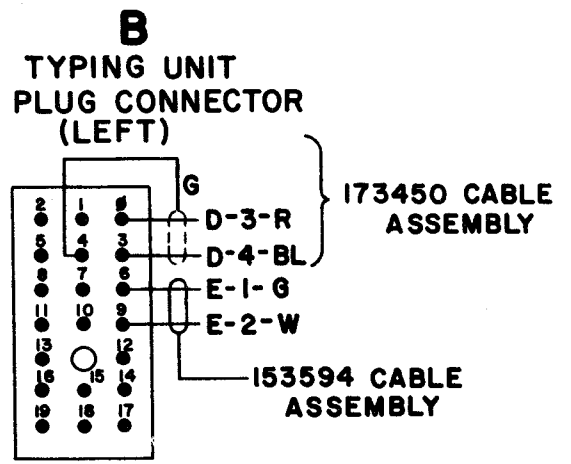
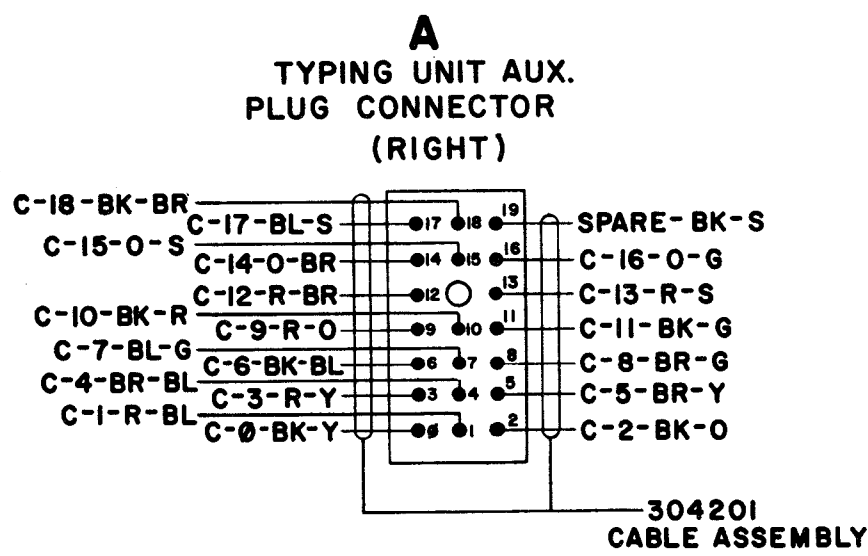
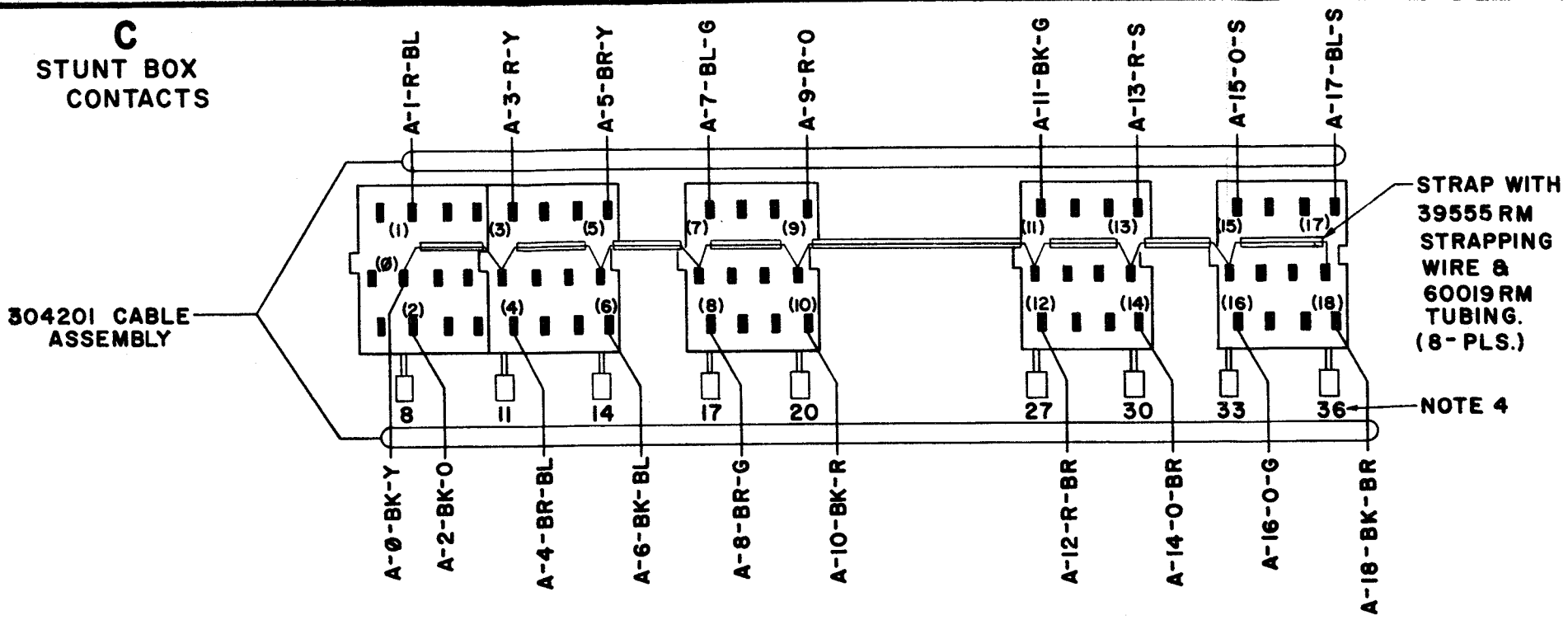
DISTANT TERMINATING AREA

DISTANT TERMINAL DESTINATION

WIRE COLOR

C-3-BL
 - COLOR CODE:**

BK - BLACK	G - GREEN
BR - BROWN	BL - BLUE
R - RED	P - PURPLE
O - ORANGE	S - SLATE
Y - YELLOW	W - WHITE
 - CONNECTORS VIEWED FROM SOLDERED TERMINAL END.**
 - INDICATES NUMBER OF SLOT IN STUNT BOX.**
 - USE 155751 SLEEVES ON EACH TERMINAL OF THE "A" CONNECTOR AND ON TERMINALS 4, 6 & 9 OF THE "B" CONNECTOR.**



APPROVALS

D AND R	E OF M
<i>[Signature]</i>	<i>[Signature]</i>
E. NUMBER	
PROD. NO. 7154 WD	
ACTUAL WIRING DIAGRAM FOR MODEL 28 TYPING UNIT LP124 WITH STUNT BOX "AJU"	
DATE: 6-4-64	
P.D. FILE NO. 42-A2/65AA	
DRAWN. F.C.S.	CHKD. <i>[Signature]</i>
ENGD. P.P.P.	APPD. <i>[Signature]</i>
TELETYPE CORPORATION	
7154 W	