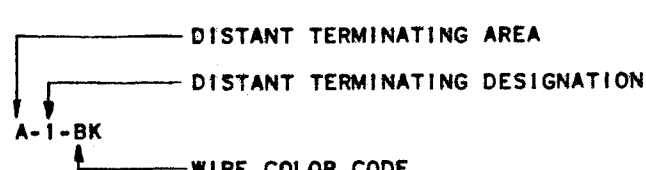
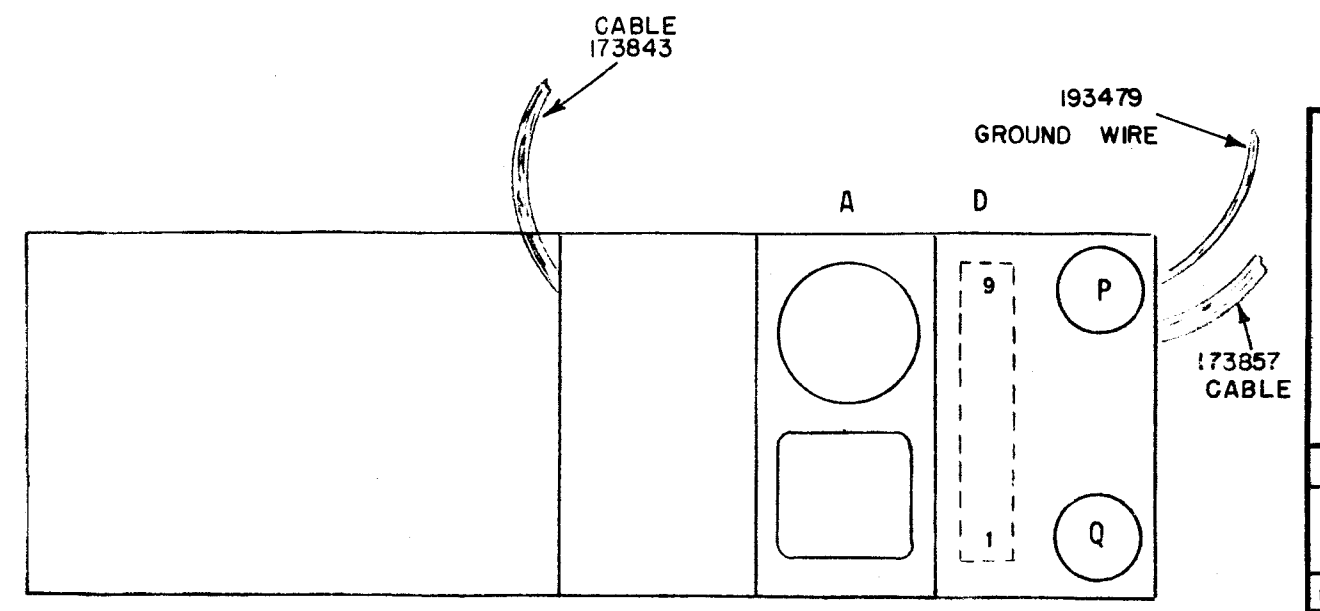
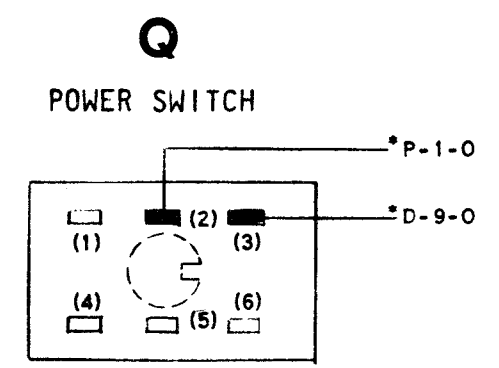
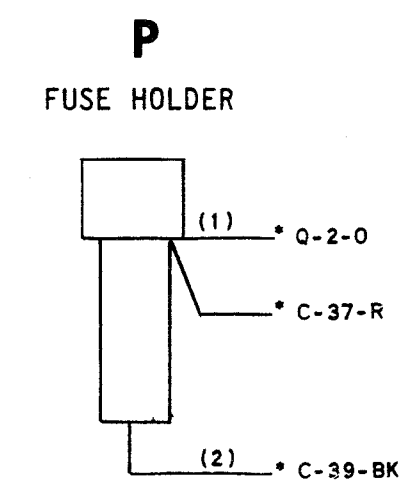
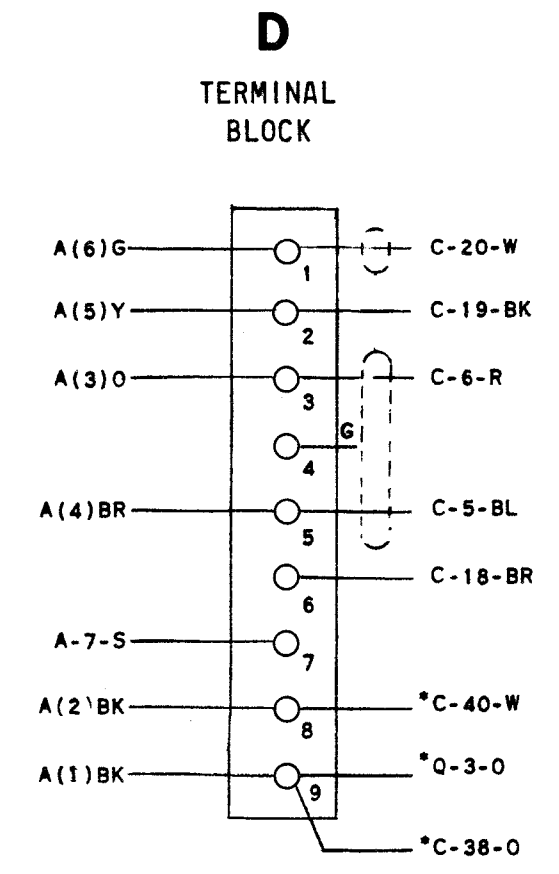
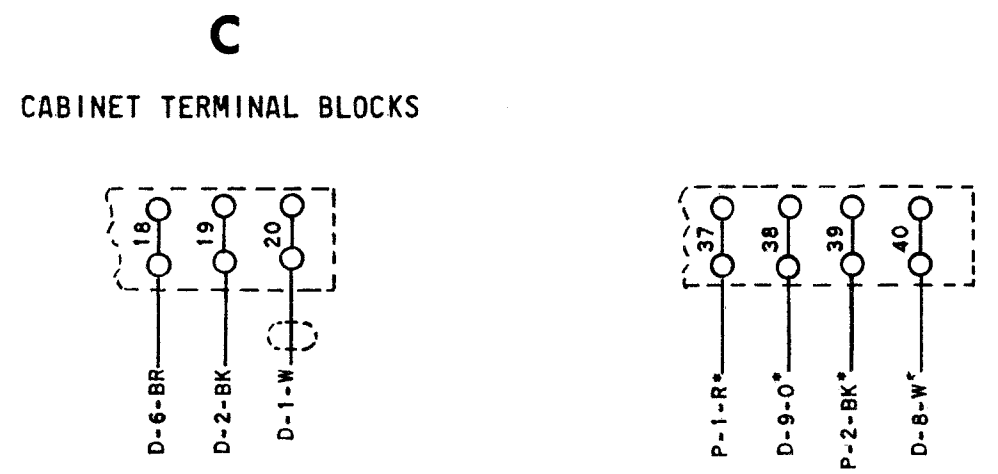
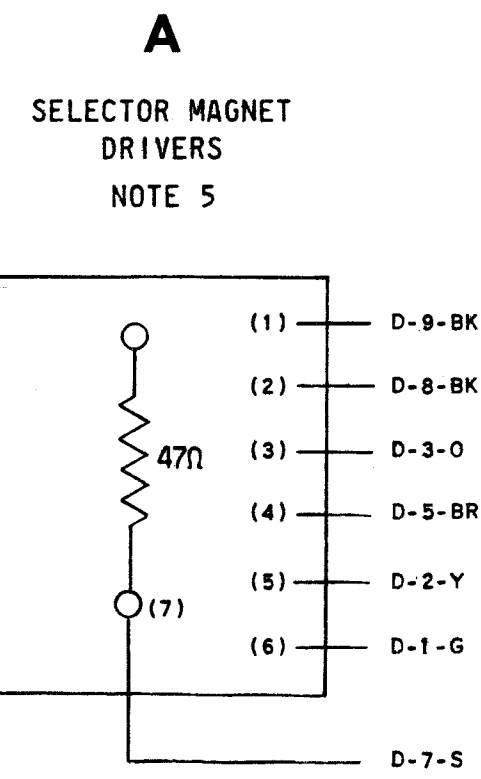


NO.	NOTES
1.	WIRING LEGEND:  DISTANT TERMINATING AREA DISTANT TERMINATING DESIGNATION A-1-BK WIRE COLOR CODE
2.	SEE 7471WD FOR SCHEMATIC WIRING DIAGRAM.
3.	TERMINAL DESIGNATIONS ENCLOSED IN PARENTHESES ARE FOR REFERENCE AND ARE NOT MARKED ON COMPONENTS.
4.	ASSOCIATED CABLES: 173857 CABLE ASSEMBLY 173843 CABLE ASSEMBLY
5.	SELECTOR MAGNET DRIVERS TO BE WIRED FOR POLAR OPTIONS. (REFER TO 4445WD) SELECTOR MAGNET DRIVERS ARE EQUIPPED WITH MOD. KIT 195528 TO ADD BLINDING RESISTOR (47Ω) - (REFER TO 60,6105)
6.	* ASTERISK INDICATES 18 GA.



7470 WD		
REVISIONS		
ISSUE	DATE	AUTH. NO.
1	11-19-64	15866-R

ACTUAL
WIRING DIAGRAM
ELECTRICAL
SERVICE ASSEMBLY
304206
(KSR SET)

APPROVALS
R AND D E OF M

E-NUMBER
PROD. NO. 7470WD
DATE: 9-26-64
R. & D. FILE NO. 22-A2/65AA
DRAWN D.D.G. CHKD. J.M.
ENGD. E.F.D. APPD. C.B.V.

TELETYPE CORPORATION

7470 WD