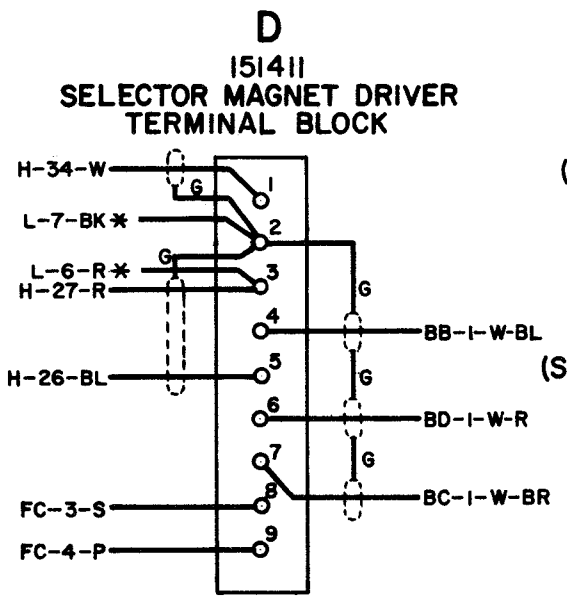
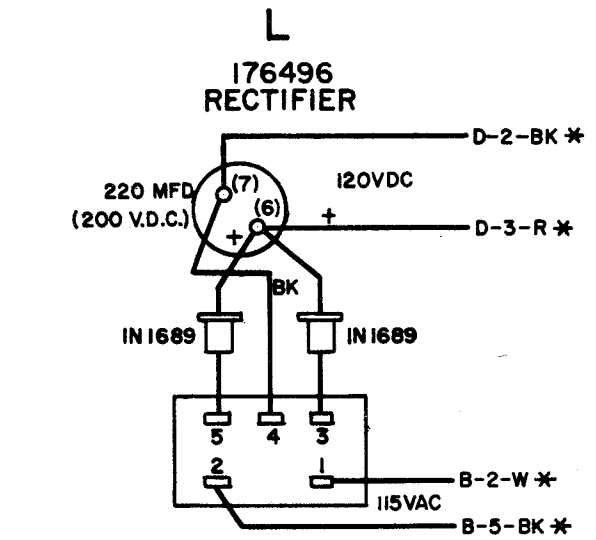
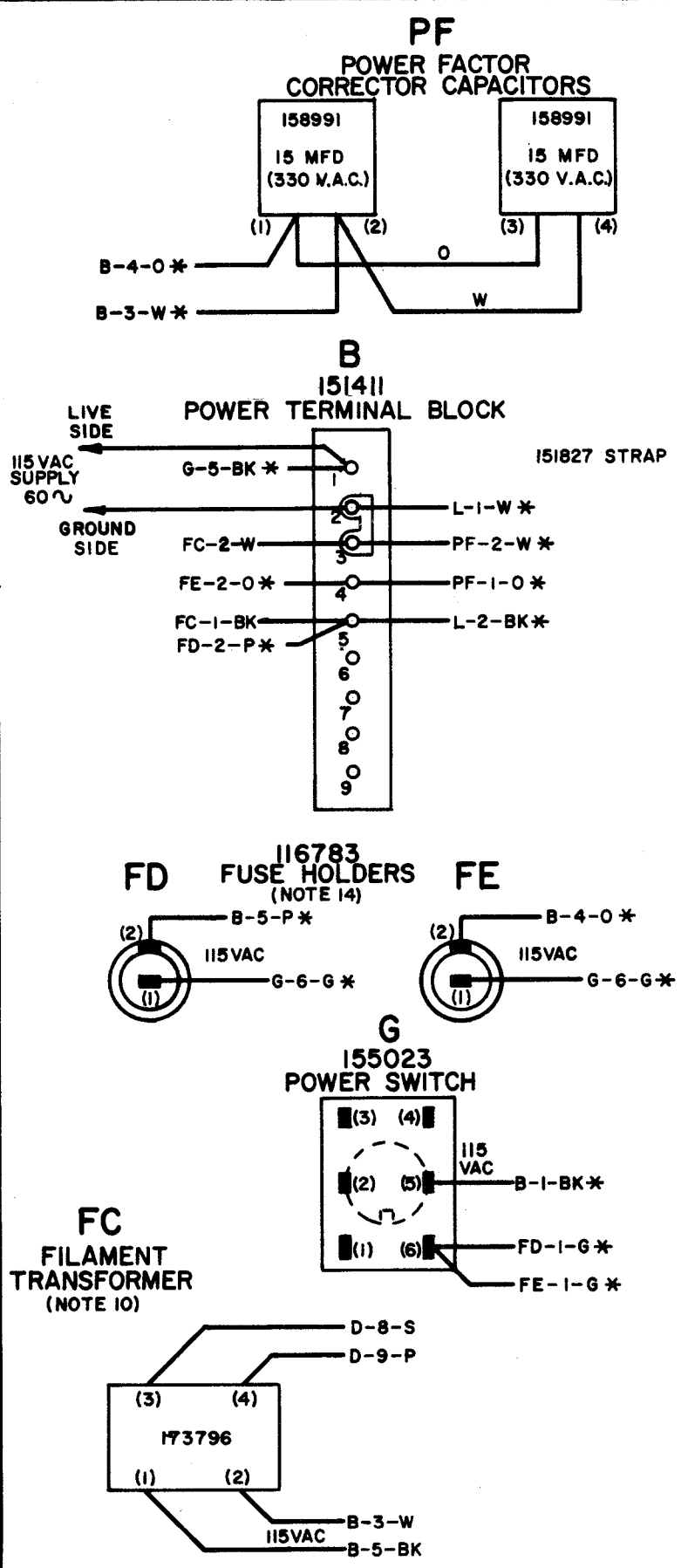
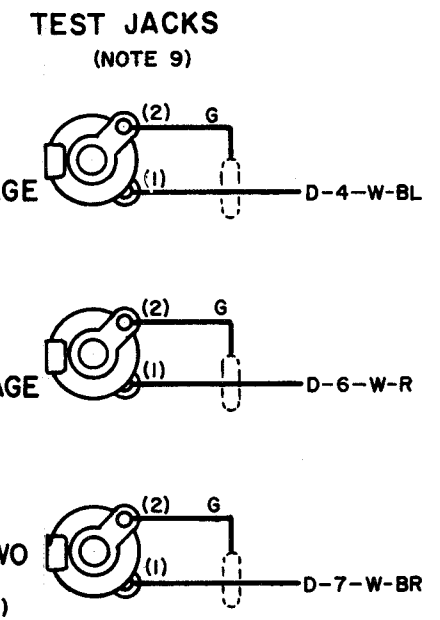
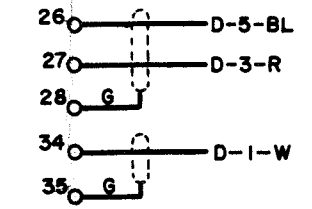


REVISIONS		
ISSUE	DATE	AUTH. NO.
1	1-9-65	16362-R
2	5-5-65	86734-1

- | NO. | NOTES | | | | | | | | | | |
|----------|---|----------|----------|---------|-------|----------|---------|---------|---------|----------|----------|
| 1. | WIRING LEGEND:
 | | | | | | | | | | |
| 2. | COLOR CODE:
<table border="0"> <tr> <td>BK BLACK</td> <td>P PURPLE</td> </tr> <tr> <td>BL BLUE</td> <td>R RED</td> </tr> <tr> <td>BR BROWN</td> <td>S SLATE</td> </tr> <tr> <td>G GREEN</td> <td>W WHITE</td> </tr> <tr> <td>O ORANGE</td> <td>Y YELLOW</td> </tr> </table> | BK BLACK | P PURPLE | BL BLUE | R RED | BR BROWN | S SLATE | G GREEN | W WHITE | O ORANGE | Y YELLOW |
| BK BLACK | P PURPLE | | | | | | | | | | |
| BL BLUE | R RED | | | | | | | | | | |
| BR BROWN | S SLATE | | | | | | | | | | |
| G GREEN | W WHITE | | | | | | | | | | |
| O ORANGE | Y YELLOW | | | | | | | | | | |
| 3. | ALL COMPONENTS VIEWED FROM SOLDER TERMINAL ENDS. | | | | | | | | | | |
| 4. | DENOTES SHIELDED WIRE, 22 AWG, UNLESS OTHERWISE SPECIFIED. | | | | | | | | | | |
| 5. | TERMINAL DESIGNATIONS ENCLOSED IN PARENTHESES ARE FOR REFERENCE AND ARE NOT NECESSARILY MARKED ON COMPONENT. | | | | | | | | | | |
| 6. | ASSOCIATED CABLES:
173764 FOR POWER FACTOR CORRECTORS
173859 FUSE AND POWER SWITCH
153477 RECTIFIER CABLE
310175 SIGNAL CABLE
310176 SELECTOR MAGNET CABLE
310177 MONITOR JACK CABLE | | | | | | | | | | |
| 7. | FOR ASSOCIATED ACTUAL WIRING DIAGRAMS SEE:
7488WD SELECTOR MAGNET DRIVER
4304WD RACK MOUNTED PAGE PRINTER INTERCONNECTING CABLE | | | | | | | | | | |
| 8. | FOR SCHEMATIC WIRING SEE 7529WD. | | | | | | | | | | |
| 9. | USE 155755 INSULATING SLEEVE (6 PLS.) | | | | | | | | | | |
| 10. | ADD 72596RM TERMINAL TO TRANSFORMER LEADS (4 PLS.) | | | | | | | | | | |
| 11. | STAMP "STAGE TWO INPUT" ON CHASSIS OVER LEFT HAND SIDE JACK WITH 1/8 INCH HIGH, BLACK CHARACTERS. | | | | | | | | | | |
| 12. | * DENOTES 18 AWG. ALL OTHER 22 AWG. | | | | | | | | | | |
| 13. | SL-BL DESIGNATES SLOW BLOWING | | | | | | | | | | |
| 14. | USE 4 AMP FUSE (129919 SL-BL) | | | | | | | | | | |



H
 LEADS CONNECTED TO INSIDE OF 40 POINT TERMINAL BLOCK (LEFT SIDE OR FUSE SIDE OF TERMINAL BLOCK AS VIEWED FROM FRONT OF ASSEMBLY)



ACTUAL WIRING DIAGRAM FOR 310174 ELECTRICAL SERVICE ASSEMBLY

APPROVALS

D AND R	E OF M
<i>[Signature]</i>	<i>[Signature]</i>

E-NUMBER
 PROD. NO. 7528WD

DATE: 10-31-64
 P.D. FILE NO. N-8-G
 DRAWN. WPH CHKD. *[Signature]*
 ENGD. BPK APPD. *[Signature]*

TELETYPE CORPORATION
 7528 WD