

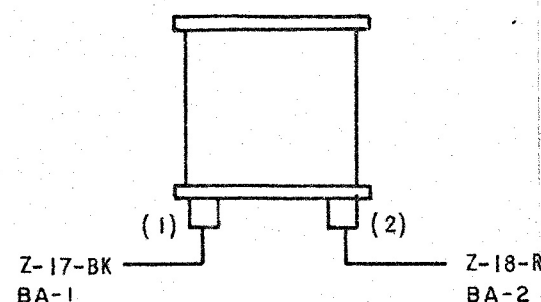
REVISIONS

ISSUE	DATE	AUTH. NO.
1	10-3-66	17905-R
2	12-5-66	92533
3	3-7-75	12528

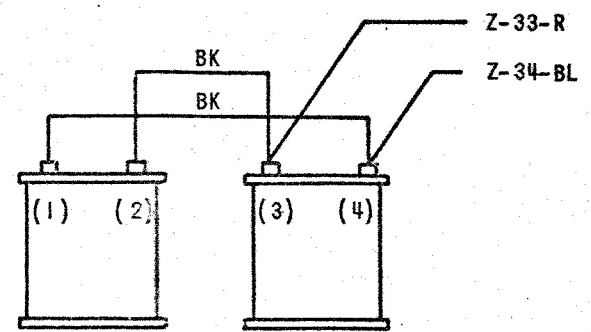
- NO. NOTES
1. WIRING LEGEND:
    - DISTANT TERMINATING AREA
    - DISTANT TERMINATING DESIGNATION
    - A-1-BK
    - WIRE COLOR CODE
  2. WIRE COLOR CODE:
 

BK - BLACK	R - RED
BL - BLUE	O - ORANGE
BR - BROWN	Y - YELLOW
W - WHITE	P - PURPLE
S - SLATE	G - GREEN
  3. CONNECTOR VIEWED FROM WIRING SIDE.
  4. \* ASTERISK DENOTES 18 GA. WIRE.
  5. NUMBERS IN PARENTHESES ARE NOT MARKED ON COMPONENTS.
  6. REFERENCE SPEC. FOR TELETYPE CORPORATION EMPLOYEES ONLY: 6934S & 60,699S
  7. ASSOCIATED SCHEMATIC - 7994WD
  8. ASSOCIATED CABLES:
    - 162207 CABLE ASSEMBLY (BACKSPACE)
    - 162064 CABLE ASSEMBLY (SEL. MAG.)
    - 193756 CABLE ASSEMBLY (PRINT SUPPRESSION)
  9. EARLY UNIT DOES NOT CONTAIN BACK SPACE MAGNET ARC SUPPRESSION.

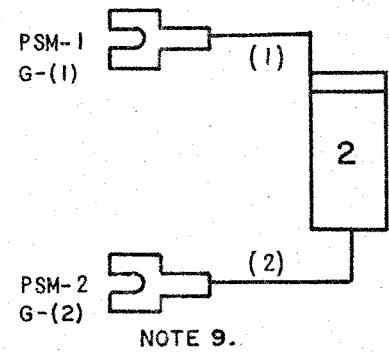
**G**  
BACKSPACE MAGNET  
(ON REPERFORATOR)



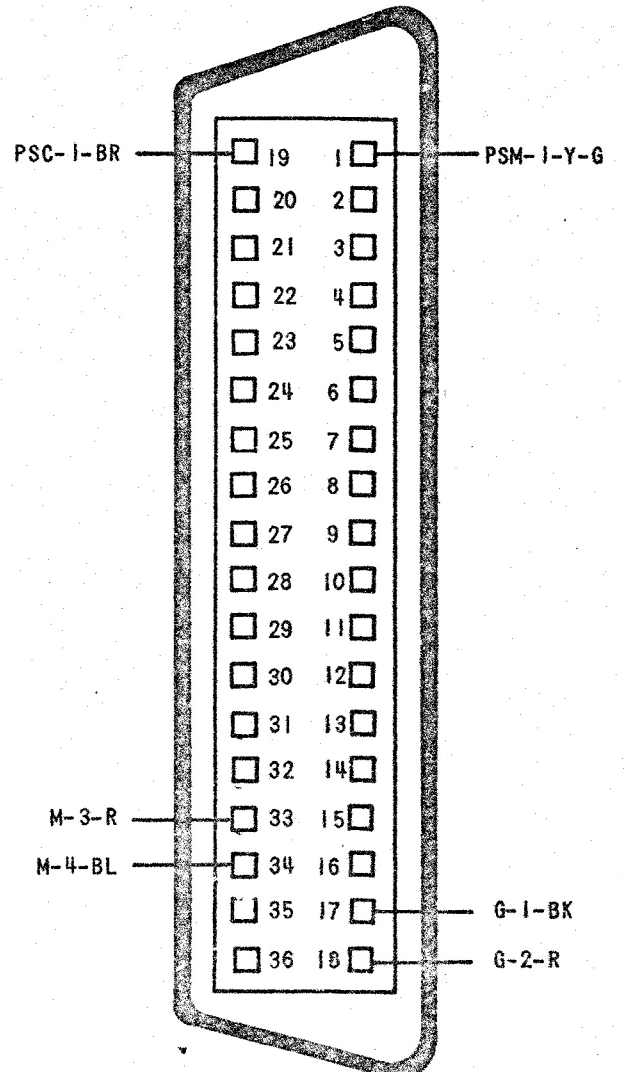
**M**  
REPERFORATOR SELECTOR  
MAGNETS



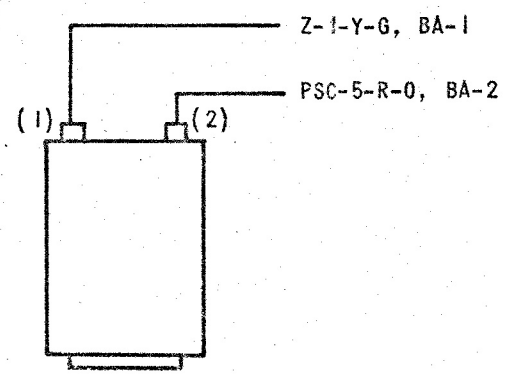
**BA**  
ARC SUPPRESSION NETWORK-QTY. 2  
(178535)



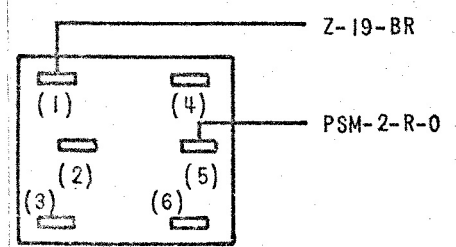
**Z**  
REPERFORATOR CONNECTOR  
(161238)  
(ZA)



**PSM**  
PRINT SUPPRESSION MAGNET



**PSC**  
PRINT SUPPRESSION CONTACT



ACTUAL WIRING DIAGRAM FOR MODEL 35 TYPING REPERFORATOR LPR809

APPROVALS

D AND R	E OF M
<i>[Signature]</i>	<i>[Signature]</i>

E-NUMBER

PROD. NO. 7993WD

DATE: 12-29-65

P.D. FILE NO. 2-35.151AA

DRAWN D.G. CHKD. *[Signature]*

ENGD. R.L.W. APPD. *[Signature]*

TELETYPE CORPORATION

7993 WD