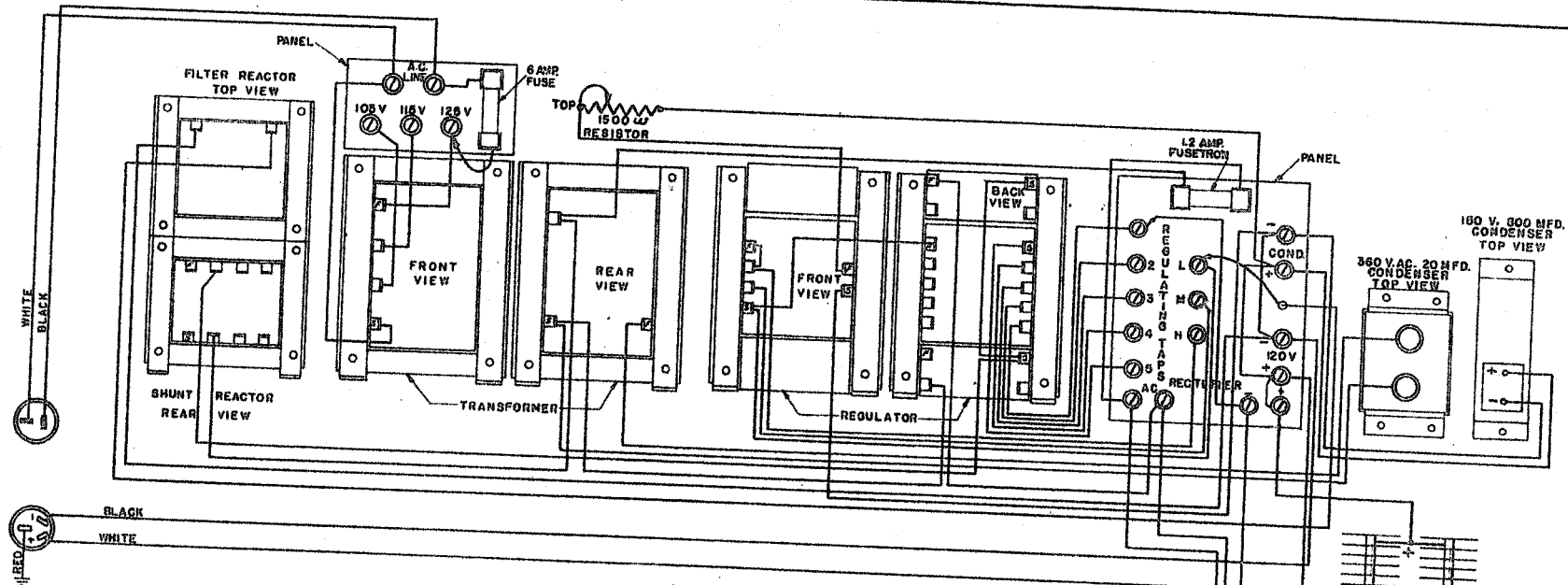
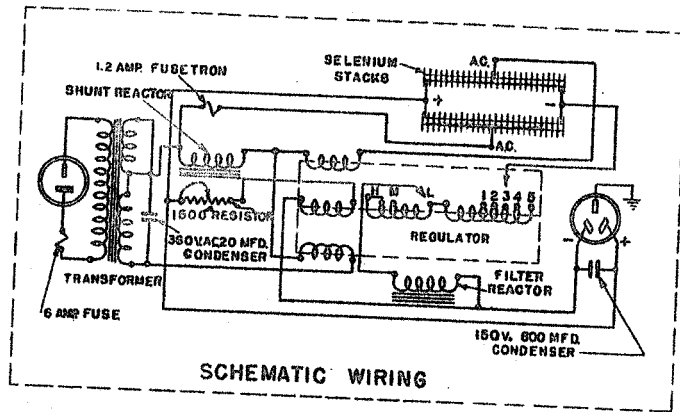


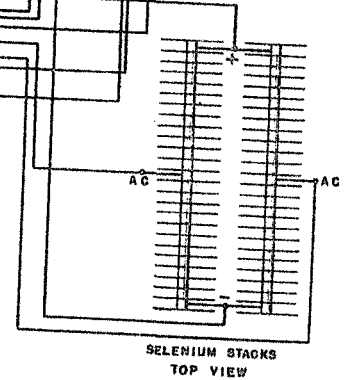
REVISIONS
 ① CHANGED TO
 COMFORM TO
 C.A. STANDARDS
 8-26-61 J.L.T.



ACTUAL WIRING



SCHEMATIC WIRING



SELENIUM STACKS TOP VIEW

RTTY ELECTRONICS
 TELETYPE=Sales-Service-Parts
 PO Box 20101 El Sobrante, Ca.
 94820. (510)222-3102
 mr_rtty@pacbell.net

TELETYPE CORPORATION
 WD-1959-A
 2-23-60

WIRING DIAGRAM FOR REC-13

DRAWN A.T.B.
 TRACED
 CHECKED H.K.
 ENGR'D. G.L.
 APPROVED F.E.