

NOTES

- BASE WIRING SHOWN WITHOUT CONTROL RELAY. WHEN CONTROL RELAY IS USED, WIRES SHOWN CONNECTED TO "A" AND "B" ON SWITCH ARE REMOVED, SPLICED TOGETHER AND TAPED. WIRE LOOPS AT SWITCH AND CONTROL RELAY COIL ARE CUT AND CONNECTED TO RESPECTIVE UNITS. WIRE LOOP AT CONTROL RELAY CONTACTS IS CUT, "a" IS CONNECTED TO "e" FOR "BREAK OPER." AND TO "c" FOR "MAKE OPER.". "r" IS CONNECTED TO "d" IN EITHER CASE.
- FOR "BREAK OPER." INVERT POWER SWITCH TO MAKE "ON" AND "OFF" DESIGNATIONS ON COVER AGREE WITH OPERATION OF SWITCH.
- TO OPERATE PRINTER WITHOUT LINE RELAY MOVE YELLOW WIRE FROM TERMINAL 62 TO 61; MOVE WHITE WIRE FROM TERMINAL 63 TO 66; REMOVE AND TAPE GREEN WIRE GOING TO LINE RELAY FROM TERMINAL 61.
- FOR .020 AMP. SIGNAL LINE OPERATION, CONNECT THIS LEAD TO OTHER TERMINAL OF RESISTOR.
- RECOMMENDED FUSETRON OR FUSTAT (AND ALTERNATE FUSE) PROTECTION

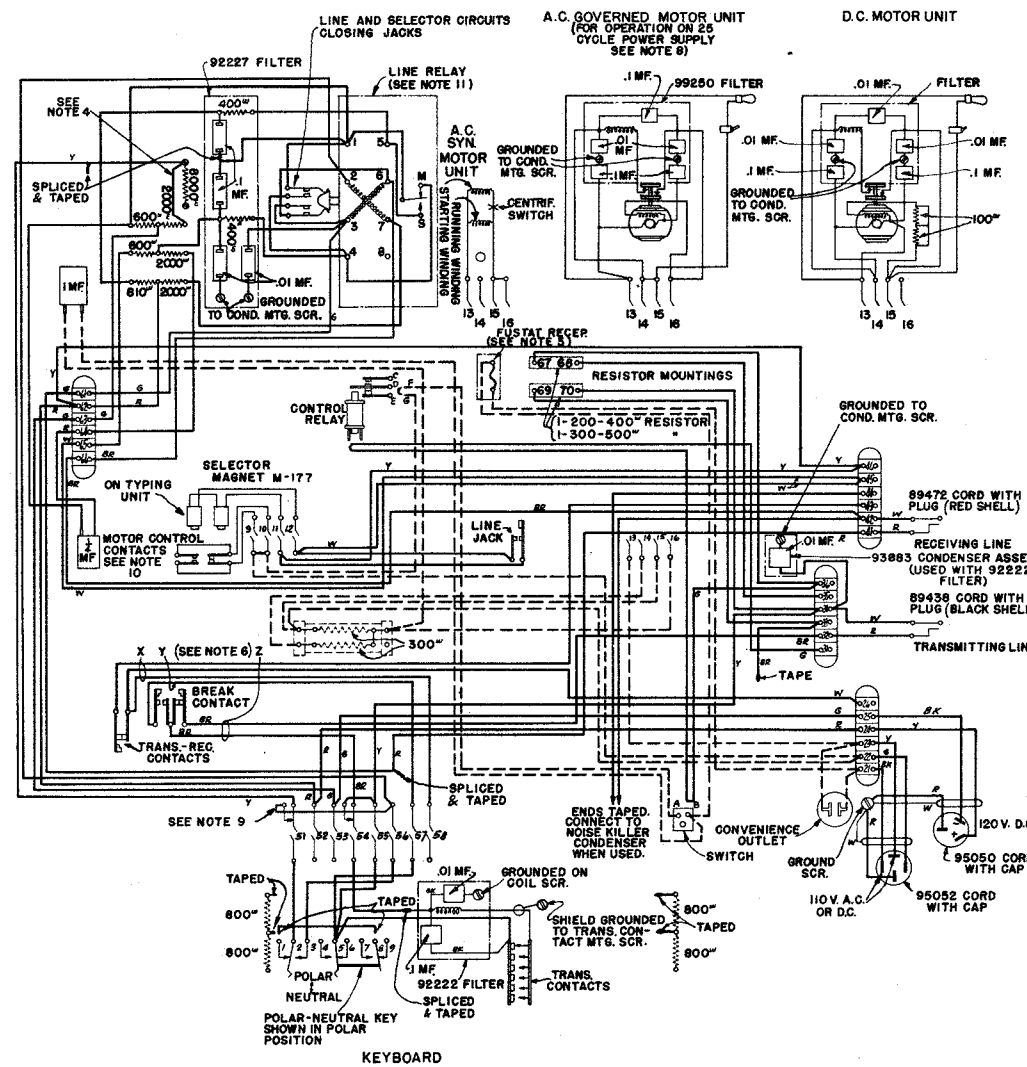
| MOTOR | FUSETRON OR FUSTAT | FUSE |
|-------------------------|--------------------|--------|
| 110 V. AC-60 CYCLE SYN. | * 3.2 AMP. | 3 AMP. |
| 110 V. AC-60 CYCLE GOV. | 1.60 AMP. | 3 AMP. |
| 110 V. DC GOV. | .8 AMP. | 3 AMP. |
| 110 V. AC-25 CYCLE GOV. | 1.4 AMP. | 3 AMP. |

* A 3.2 AMP FUSETRON IS FURNISHED WITH NEW IS PTR. BASES
- TO DISABLE SEND-RECEIVE BREAK MECHANISM:
 - SPLICE AND TAPE WIRES MARKED "X".
 - TAPE WIRE MARKED "Y".
 - SPLICE AND TAPE WIRES MARKED "Z".
- EQUIPMENT SHOWN DOTTED IS UNDERNEATH UNITS.
- WHEN A.C. SERIES MOTOR IS TO BE DRIVEN FROM 25 CYCLE POWER SUPPLY, A 25 OHM RESISTOR SHOULD BE CONNECTED IN THE POWER LEADS.
- WHEN POLAR SIGNALS ARE USED, REMOVE JUMPER BETWEEN BACK CONTACT NO. 51 AND SLIP CONNECTION CONTACT NO. 56 ON BASE.
- CONTACTS SHOWN BETWEEN TERMINALS 9 AND 10 ARE PRESENT ON TYPING UNIT ONLY WHEN MOTOR CONTROL ON FIGURES "H", OR FIGURES "M" IS USED. WHEN MOTOR CONTROL IS USED REMOVE STRAP BETWEEN 9 AND 10.
- RY-28 RELAY (W.E. 215-H) - 85 OHMS PER WINDING. (FOR .060 AMPERE SIGNALING ONLY)
RY-30 RELAY (W.E. 265-A) - 136 OHMS PER WINDING. (FOR .060 OR .020 AMPERE SIGNALING)
- COLOR CODE:

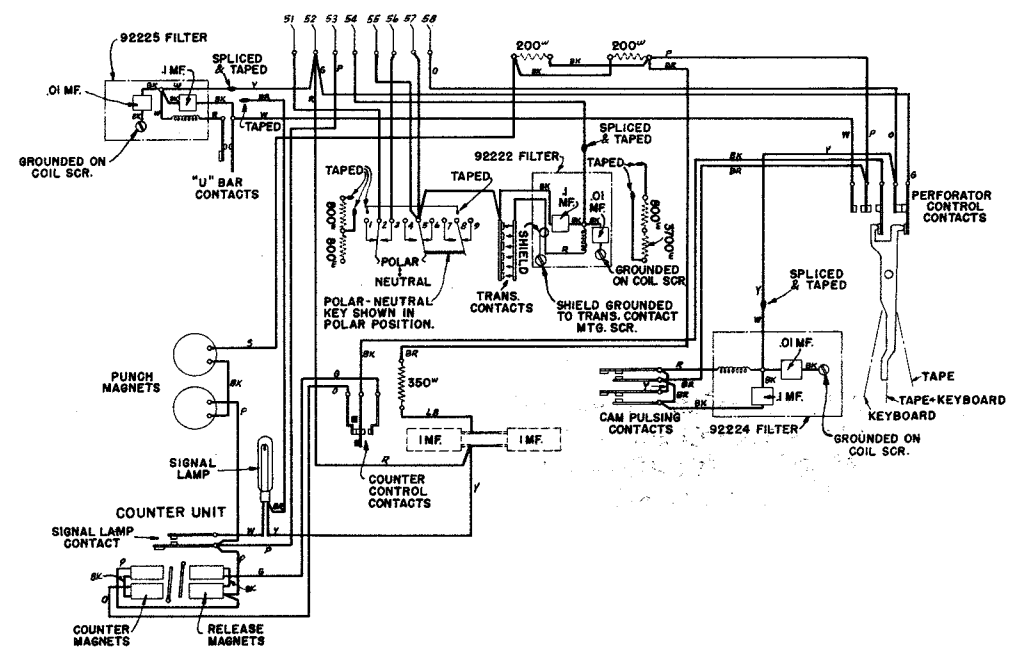
| | | | |
|-----------|------------|-----------------|------------|
| W - WHITE | Y - YELLOW | S - SLATE | BK - BLACK |
| R - RED | O - ORANGE | BR - BROWN | |
| G - GREEN | P - PURPLE | LB - LIGHT BLUE | |
- ASSOCIATED CABLES:

| | | |
|-----------------------|-------------------------------|---|
| 74574 BASE (LINE) | 74789 A.C. MOTOR UNIT | 92814 BASE |
| 74573 BASE (POWER) | 74572 KEYBOARD & PERF. TRANS. | 99881 PERFORATOR & COUNTER (PERF. TRANS.) |
| 74575 LINE RELAY UNIT | 74625 SELECTOR MAGNET | 83895 RESISTOR (PERF. TRANS.) |
| 74571 D.C. MOTOR UNIT | 74789 MOTOR CONTROL CONTACTS | |
- ALL WIRES ARE NO. 18 DELTABESTON COTTON COVERED FIXTURE WIRE, EXCEPT MOTOR LEADS.
- THIN LINES INDICATE WIRES NOT IN CABLE.

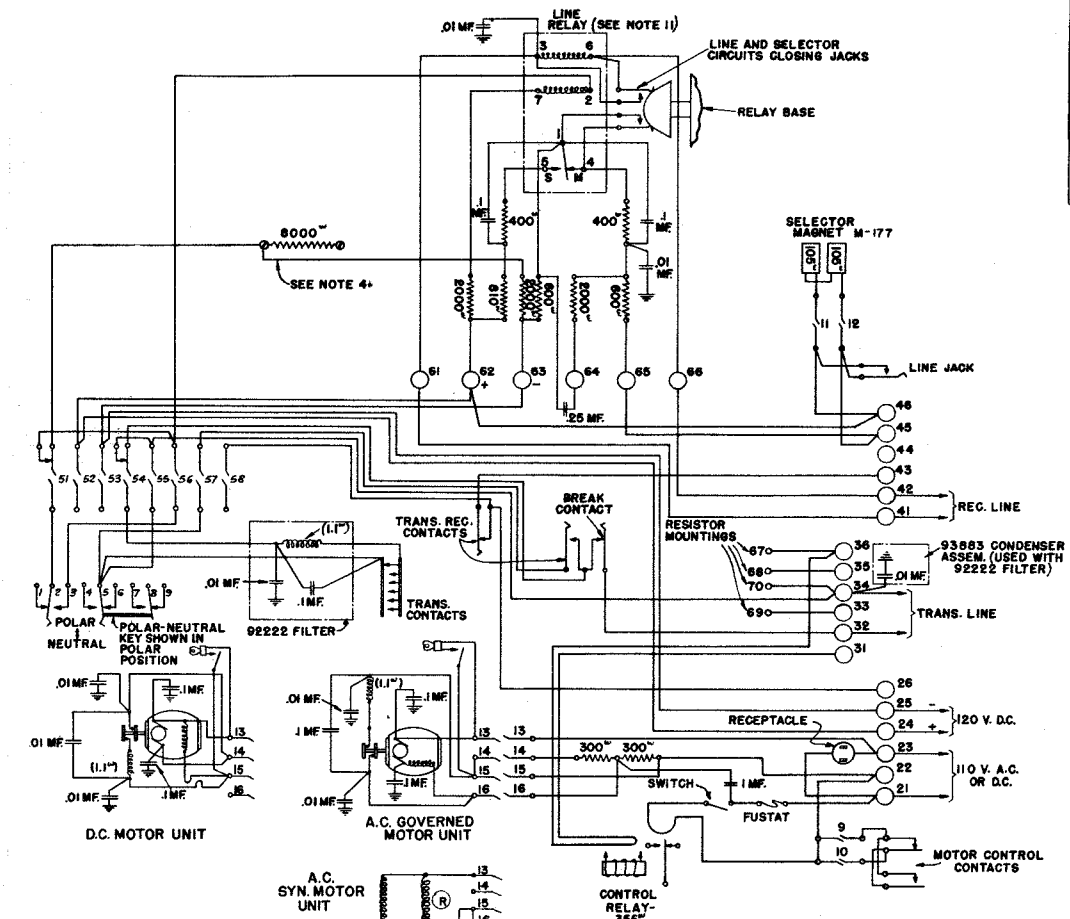
RTTY ELECTRONICS
TELETYPE=Sales-Service-Parts
PO Box 20101 El Sobrante, Ca.
94820. (510)222-3102
mr_rtty@pacbell.net



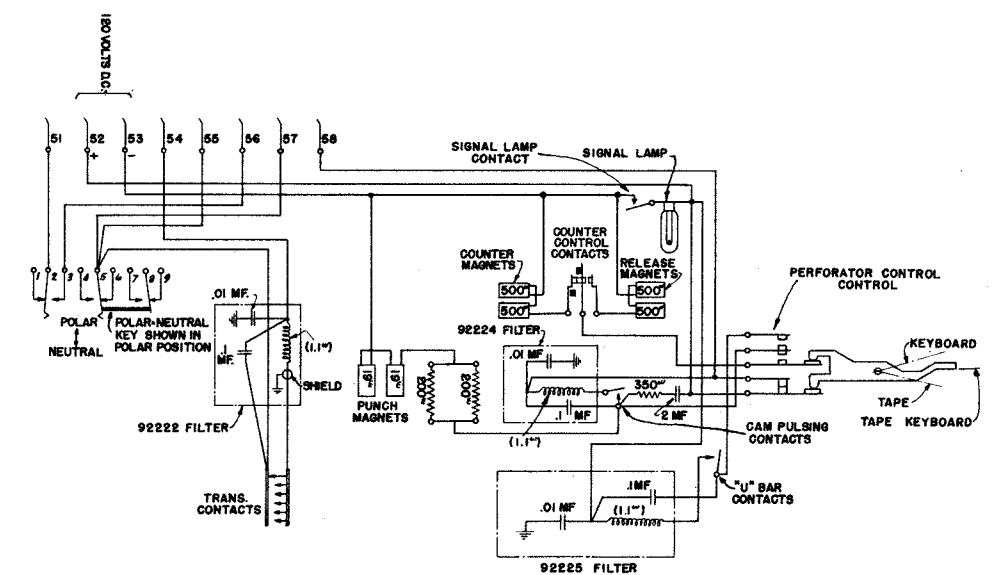
ACTUAL WIRING 15 PRINTER SET WITH KEYBOARD



ACTUAL WIRING - 15 TYPE PERFORATOR TRANSMITTER
(CHARACTER COUNTER UNIT MOUNTED ON PUNCH ASSEMBLY TO THE LEFT OF KEYBOARD)



SCHEMATIC WIRING - 15 PRINTER SET WITH KEYBOARD



SCHEMATIC WIRING - 15 TYPE PERFORATOR TRANSMITTER

- REVISIONS
- REDRAWN 1-17-61 J.J.R.
 - ADDED INFO. FOR 25 CYCLE MOTOR ADDED. 2-6-61 J.J.R.
 - NOTE: SHIELD & TAPE LIMITED TO ONE PLACE 7-2-61 G.A.M.
 - NOTE: CONDENSER IN A.C. MOTOR UNIT CORRECTED. 8-12-61
 - NOTE 5 CHANGED. 8-27-61 J.J.R.
 - 82-66 & 82-67 ADDED. 8-31-61 J.J.R.
 - FILTER PART NO. UNLIMITED. GOK CONTACT CHANG. CHANGED FROM .1 MF TO .01 MF. 8-12-63 J.J.R.

TELETYPE CORPORATION
WD-1986-N
11-4-1960

WIRING DIAGRAM MODEL 15 PRINTER WITH KEYBOARD AND PERFORATOR TRANSMITTER (INCLUDING RADIO FILTERS)
BP-3, BP-22, BP-23, BP-99, BP-107, BP-97, BP-46
BK-2, BK-24
PEX-20, PEX-27

DRAWN H.C.A. & K.S. TRACED CHECKED J.M.S. ENG'R D. J.M.S. APPROVED H.T.S. 6/10