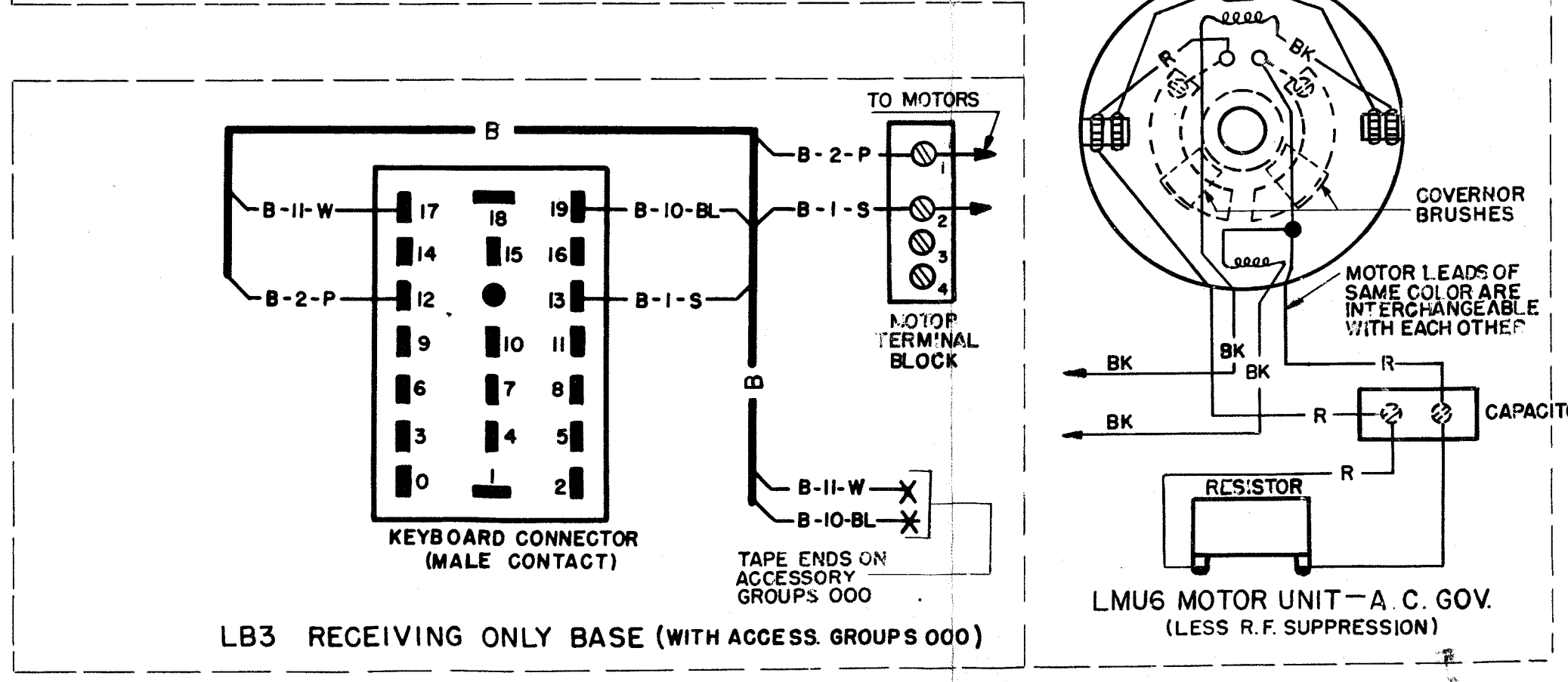
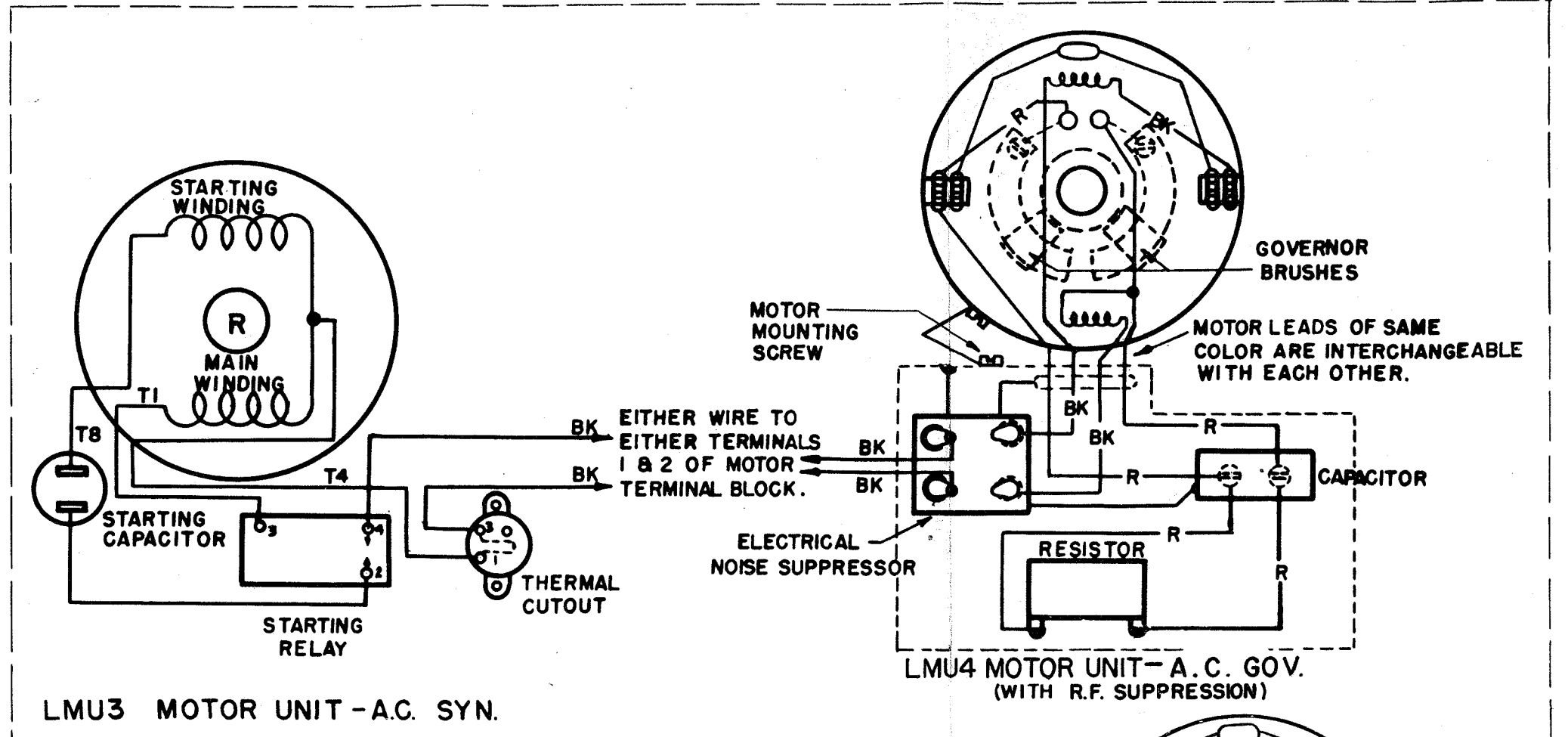
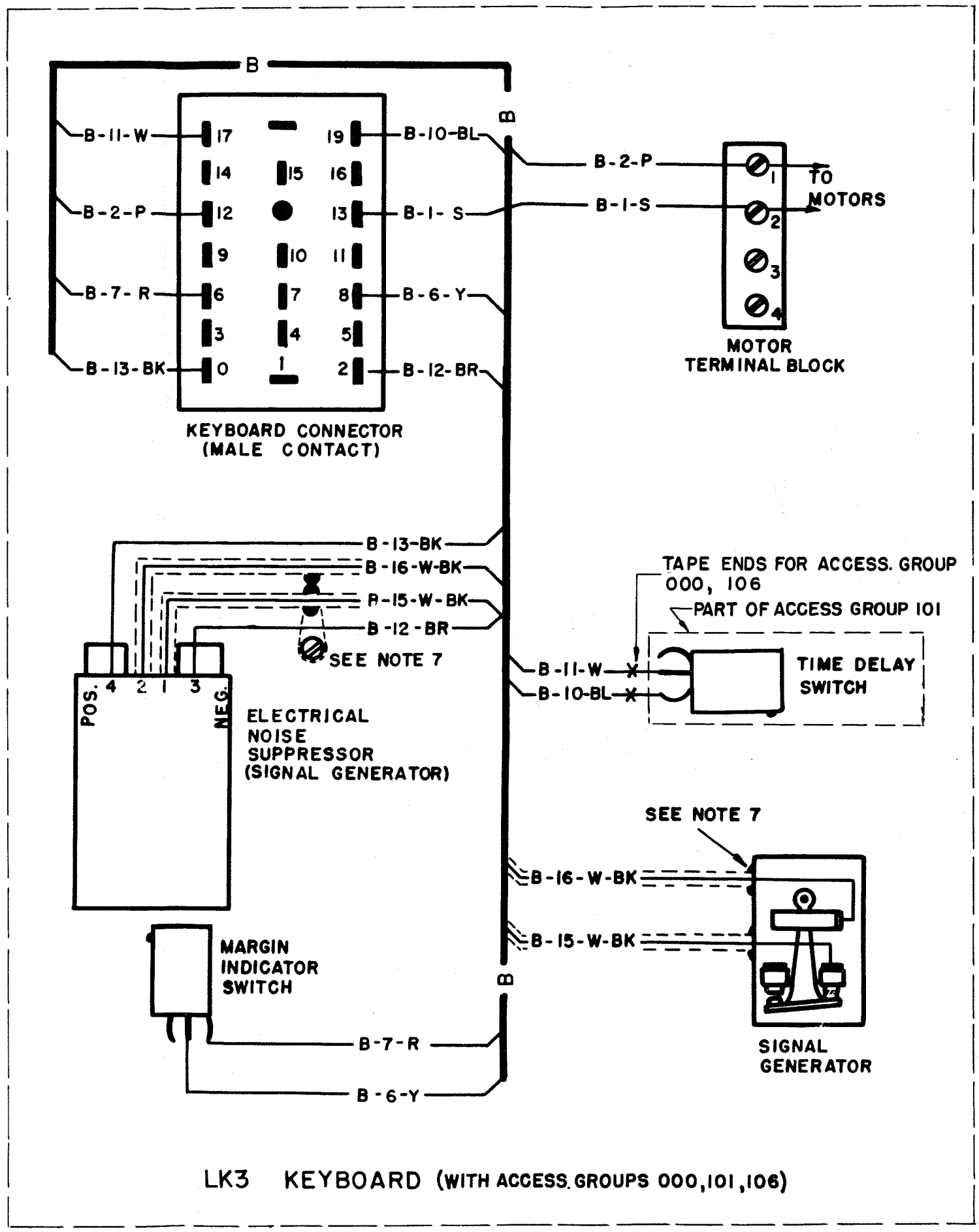


NO.	NOTES
1	WIRING CHANNEL DESIGNATED BY "B" DOES NOT REPRESENT CABLES, BUT ASSISTS IN TRACING CONNECTIONS.
2	CHANNEL LEGEND: 
3	POWER CIRCUITS WIRED FOR 115V A.C. OPERATION ONLY.
4	COLOR CODE: BK - BLACK      BL - BLUE W - WHITE      R - RED Y - YELLOW     BR - BROWN P - PURPLE     O - ORANGE S - SLATE      W-BK-WHITE BLACK W-BL-WHITE BLUE
5	DENOTES TAPED OR SPLICED AND TAPED WIRES. DENOTES SHIELDED WIRES
6	CONNECTOR VIEWED FROM SOLDER TERMINAL ENDS.
7	SHIELDING TO PROTRUDE THROUGH SIGNAL GENERATOR BOX UP TO 1/32 MAX. AFTER SIGNAL GENERATOR ELECTRICAL NOISE SUPPRESSOR IS INSTALLED SOLDER SHIELDED WIRES TO 151365 GROUNDING LUG.

RTTY ELECTRONICS  
TELETYPE=Sales-Service-Parts  
PO Box 20101 El Sobrante, Ca.  
94820. (510)222-3192  
mr\_rtty@pacbell.net



REVISIONS	
(A)	6-12-53 28-3668
<b>2862 WD A</b> 4-21-53	
ACTUAL WIRING DIAGRAM - MODEL 28	
KEYBOARD LK3 ACCESSORY GROUPS 000, 101, 106 REC. ONLY BASE LB3 ACCESSORY GROUPS 000.	
MOTOR UNITS LMU 3, 4, 6	
DRAWN: RLC	APPROVED
ENGRD: B.G.	<i>AB</i>
CHECKED: <i>AB</i>	
FILE 1:30.65.156	
TELETYPE CORPORATION	