

2874 WD

REVISIONS

ISSUE	DATE	AUTH. NO.
E4	5-8-57	28-7615
B5	3-28-62	69768-10
E6	4-17-62	73132
7	3 22 68	97526 RC

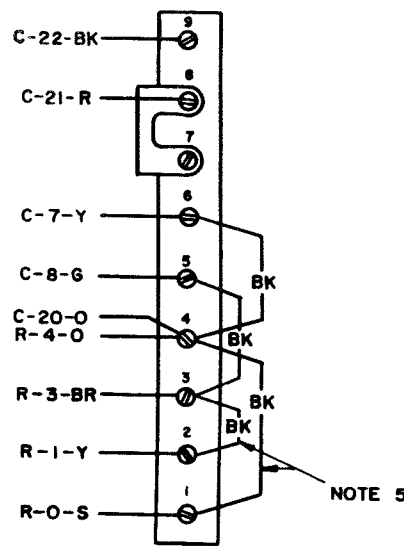
- NO. NOTES
1. WIRING LEGEND:
 2. COLOR CODE:

BK-BLACK	R-RED
BR-BROWN	G-GREEN
BL-BLUE	S-SLATE
W-WHITE	P-PURPLE
Y-YELLOW	O-ORANGE
 3. UNIT WIRED FOR 115 VOLTS 50 TO 60 CYCLE AC POWER INPUT ONLY.
 4. PLUGS VIEWED FROM SOLDERED TERMINAL ENDS.
 5. CIRCUITS SHOWN FOR .060 AMP. NEUTRAL SIGNAL LINE OPERATION. FOR .020 AMP. OPERATION, REMOVE AND ADD CONNECTIONS AS FOLLOWS:

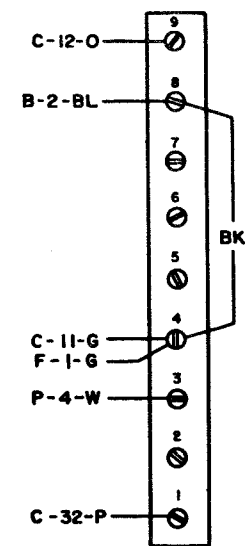
SIGNAL LINE CURRENT	CONNECTIONS REMOVED	CONNECTIONS ADDED
.020 AMP.	A1-A4, A2-A3	A1-A2*

*PLACE TWO STRAPS IN PARALLEL
 6. THE SPARE LEADS FROM THE KEYBOARD (OR REC. ONLY BASE) AND TYPING UNIT CONNECTOR PLUGS ARE TERMINATED IN THE RIGHT AND LEFT ENDS OF THE ELECTRICAL SERVICE UNIT RESPECTIVELY.
 7. REMOVE THIS STRAP WHEN ASSOCIATED KEYBOARD OR REC-ONLY BASE IS EQUIPPED WITH AN ELECTRICAL BREAK SWITCH.
 8. FOR SCHEMATIC WIRING DIAGRAM, SEE 2875WD.

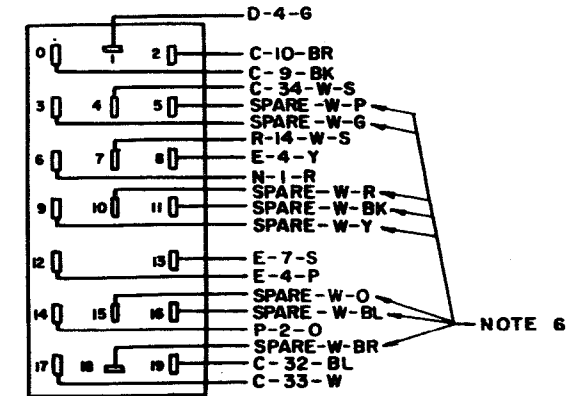
A SELECTOR MAGNET TERMINAL BLOCK



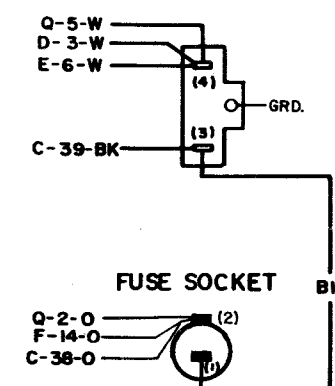
D MOTOR CONTROL TERMINAL BLOCK



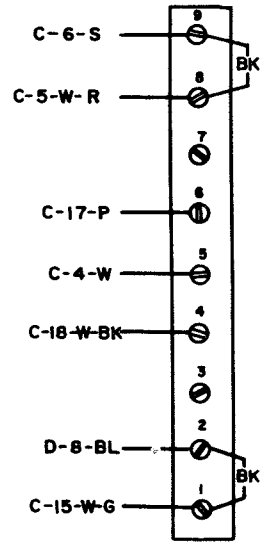
F KEYBOARD FOR RECEIVING ONLY BASE CONNECTOR PLUG



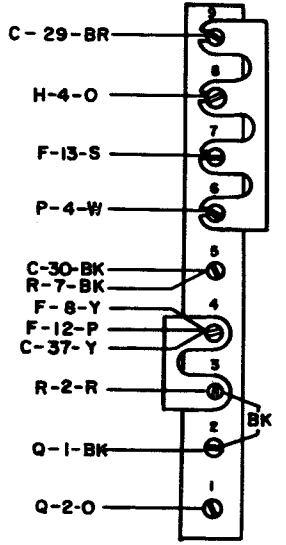
P CONVENIENCE RECEPTACLE



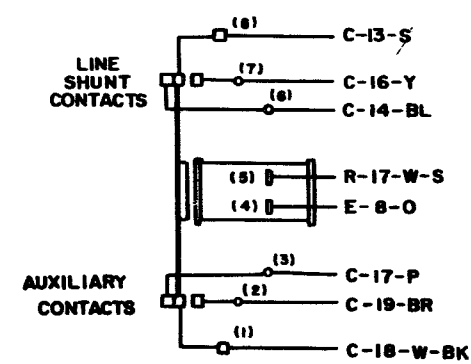
B LINE TEST KEY TERMINAL BLOCK



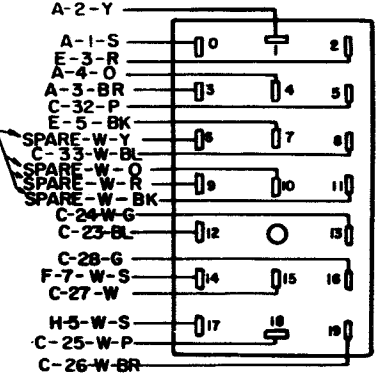
E POWER TERMINAL BLOCK



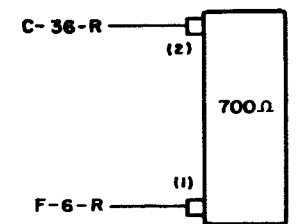
H LINE SHUNT RELAY



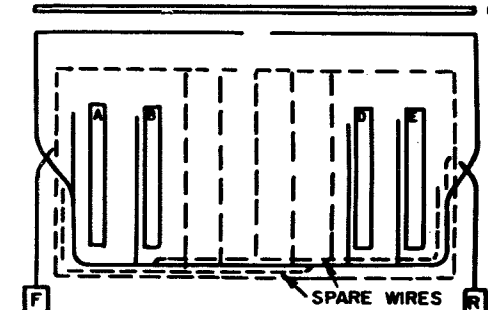
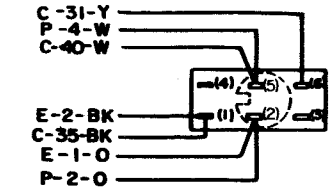
R TYPING UNIT CONNECTOR PLUG



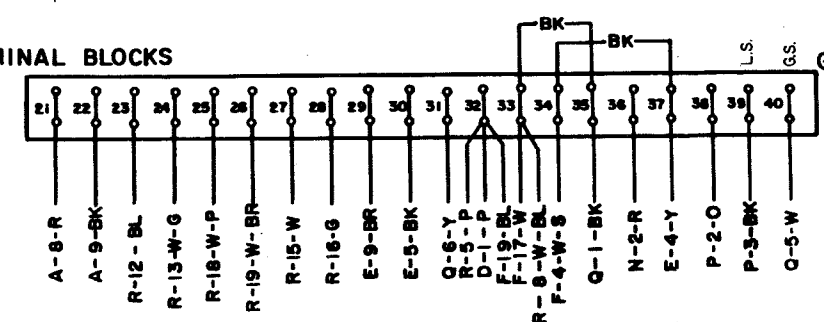
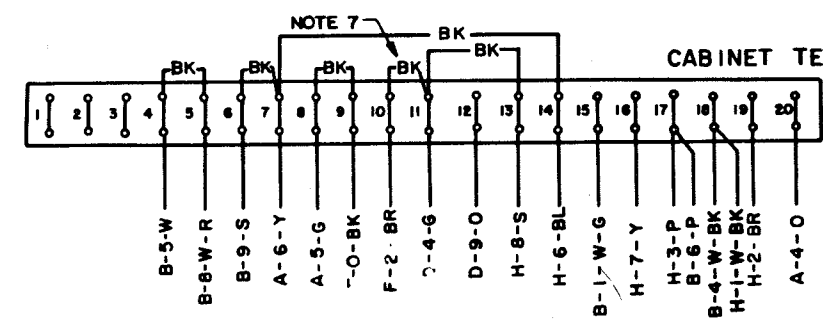
N MARGIN INDICATOR LAMP RESISTOR



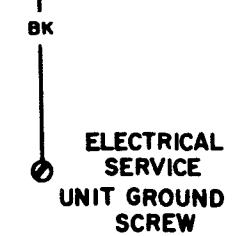
Q POWER SWITCH



CABLE ROUTING (BOTTOM VIEW)



TO CABINET GROUND SCREW



RTTY ELECTRONICS
 TELETYPE-Sales-Service-Parts
 PO Box 20101 El Sobrante, Ca.
 94820. (510)222-3102
 mr_rtty@pacbell.net

ACTUAL WIRING DIAGRAM FOR MODEL 28 ELECTRICAL SERVICE UNIT LESU7/184

APPROVALS

D AND R	E OF M
---------	--------

E-NUMBER
 PROD. NO. 2874WD
 DATE 2-20-54
 P.D. FILE NO. 2-30.65.156A
 DRAWN N.A.R. CHKD.
 ENGD. G.A.O. APPD.

TELETYPE CORPORATION

2874 WD