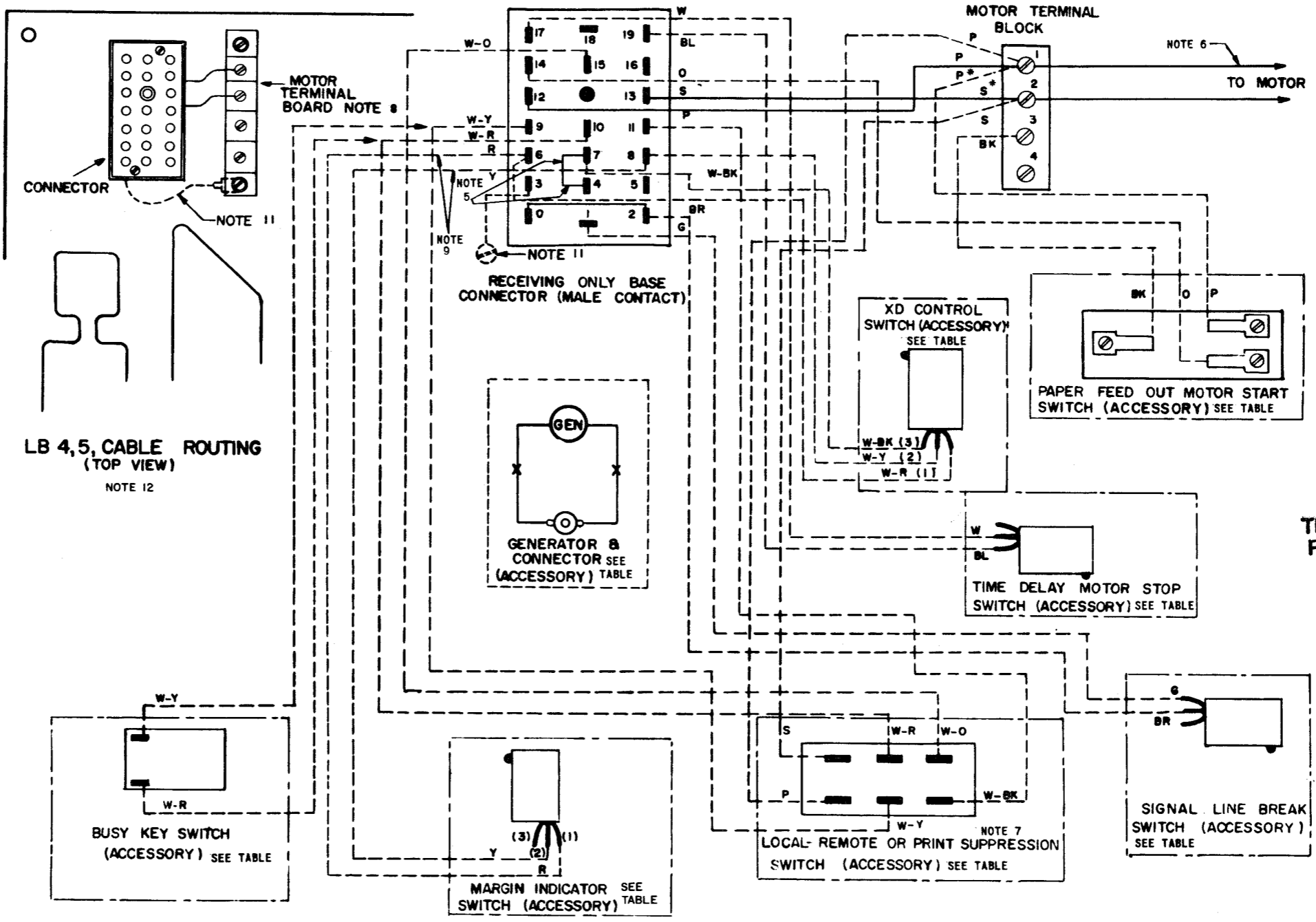


REVISIONS

ISSUE	DATE	AUTH. NO.
1/2	11-5-54	28-4597
2/3	1-26-55	28-4871
2/4	2-2-55	28-4911
5	2-16-55	28-4911-1
6	3-2-55	28-5054
7	3-11-55	28-5096
8	5-16-55	28-5395
9	9-3-55	28-5728
10	6-29-56	28-6799
11	8-31-56	28-6879
12	9-4-56	28-6905
13	12-14-56	28-7261
14	2-19-57	28-7414
15	3-24-59	28-10789
16	9-9-59	28-11778
17	9-14-59	28-11694
18	2-5-60	28-12554
19	10-4-61	71140
20	10-30-61	71425
21	10-1-63	77302
22	12-13-63	79185
23	3-31-65	86474
24	2-16-67	92028
25	3-15-68	95297

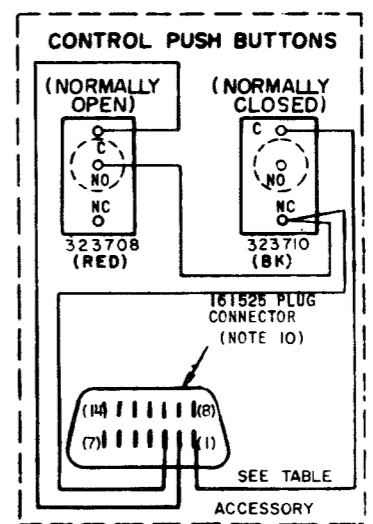
RTTY ELECTRONICS
 TELETYPE=Sales-Service-Parts
 PO Box 20101 El Sobrante, Ca.
 94820. (510)222-3102
 mr_rtty@pacbell.net

- NO. NOTES
- POWER CIRCUITS WIRED FOR 115V AC OR DC OPERATION.
 - WIRE COLOR CODE:
 BK-BLACK P-PURPLE
 BL-BLUE R-RED
 BR-BROWN Y-YELLOW
 W-WHITE G-GREEN
 S-SLATE O-ORANGE
 - CONNECTOR AND SWITCHES VIEWED FROM SOLDER TERMINAL ENDS.
 - DENOTES BASIC WIRING.
 - - - - - DENOTES LEADS FURNISHED WITH ACCESSORY GROUP
 - STRAP NECESSARY FOR OPERATION WITH LESU 7.
 - WHEN THE PAPER-FEED OUT MOTOR START SWITCH IS SUPPLIED, MOTOR LEAD CONNECTS TO TERMINAL 3 OF MOTOR TERMINAL BLOCK INSTEAD OF TERMINAL 1.
 - LOCAL-REMOTE SWITCH SHOULD HAVE A SLOT IN SWITCH TO THE LEFT OR TOWARD THE "LOCAL" SIDE.
 - WHEN BUSY SWITCH ACCESSORY IS USED CONNECT LEADS TO TERMINALS 9 & 10.
 - WHEN WIRING LB4/249 & LB200**/252 CONNECT RED WIRE TO TERMINAL 17 AND YELLOW WIRE TO 19.
 - 161525 PLUG CONNECTOR PART OF 164133 CABLE ASSEMBLY - MATES WITH 161526 RECEPTACLE ON 163965 PLATE ASSEMBLY IN LESU45 (LB8/253).
 - 195269 STRAP CONNECTED FROM TERMINAL 3 TO COVER MOUNTING SCREW OF MOTOR TERM. BOARD FOR 179613 R.F. SUPPRESSION MODIFICATION KIT.
 - FOR ACCESSORY CABLE ROUTING SEE ASSOCIATED SPECIFICATION.
 - FOR SCHEMATIC SEE ASSOCIATED LESU WD.
 - * DENOTES 18 GA. WIRE.



LB 4,5, CABLE ROUTING (TOP VIEW)
 NOTE 12

ACCESSORY GROUP NUMBER	X-D CONTROL SWITCH 154794	BUSY KEY SWITCH 156359	GENERATOR FOR TACHOMETER 154749	PAPER FEED OUT MOTOR START SWITCH 152334	LOCAL-REMOTE SWITCH ASSEMBLY 152342	MARGIN INDICATOR SWITCH ASSEMBLY 152343	SIGNAL LINE BREAK SWITCH ASSEMBLY 152344	TIME DELAY MOTOR STOP SWITCH ASSEM. 152338	PRINT-SUPPRESSION SWITCH ASSEM. 154681	JACK ASSEMBLY FOR TACHOMETER 97143	323708-323710 CONTROL PUSH BUTTONS & 164133 CABLE ASSEMBLY (LBB ONLY)
133					X	X					
146											
160									X		
161											
180				X							
202	X		X							X	
207	X										
218		X									
249						X					
252						X					
253						X			X		X
259						X			X		



ACTUAL WIRING DIAGRAM FOR MODEL 28 RECEIVING ONLY BASE LB4, 5, 8, 12, 29, 200 ACCESSORY GROUPS 133, 146, 160, 161, 180, 202, 207, 218, 249, 252, 253, 259

28B 28B1

APPROVALS

D AND R	E OF M
---------	--------

E-NUMBER

PROD. NO. 2883WD

DATE 9-1-54

P.D. FILE NO. 1-30.65-11A

DRAWN J.G.W.	CHKD.
ENGD. R.J.R.	APPD.

TELETYPE CORPORATION

25 2883WD