

NOTES

1. **WIRING LEGEND:**

2. **COLOR CODE**

BK - BLACK	W-BK - WHITE - BLACK
BR - BROWN	W-BR - WHITE - BROWN
R - RED	W-R - WHITE - RED
O - ORANGE	W-O - WHITE - ORANGE
Y - YELLOW	W-Y - WHITE - YELLOW
G - GREEN	W-G - WHITE - GREEN
BL - BLUE	W-BL - WHITE - BLUE
P - PURPLE	W-P - WHITE - PURPLE
W - WHITE	W-S - WHITE - SLATE
S - SLATE	

3. UNIT WIRED FOR 115 VOLTS, 50 TO 60 CYCLE A.C. POWER INPUT ONLY.

4. PLUGS VIEWED FROM SOLDER TERMINAL ENDS

5. CIRCUITS SHOWN FOR 0.60 AMP. NEUTRAL SIGNAL LINE OPERATION. FOR .020 AMP. OPERATION REMOVE AND ADD CONNECTIONS AS TABULATED BELOW:

SIGNAL LINE CURRENT	CONNECTION REMOVED	CONNECTIONS ADDED
.020 AMP	A1-A4, A2-A3 D4-D5, D5-D7, D6-D8	A1-A2* D6-D7

*PLACE TWO STRAPS IN PARALLEL.

6. THE SPARE LEADS FROM THE KEYBOARD (OR REC. ONLY BASE) AND TYPING UNIT CONNECTOR PLUGS ARE TERMINATED IN THE RIGHT AND LEFT ENDS OF THE ELECTRICAL SERVICE UNIT RESPECTIVELY.

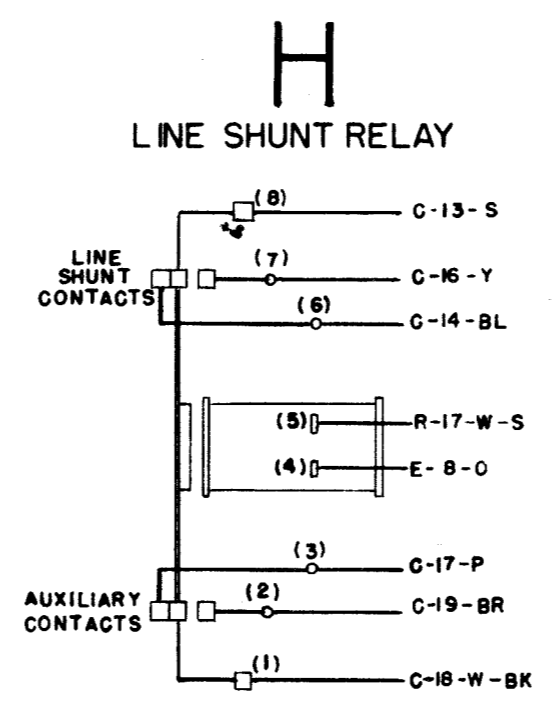
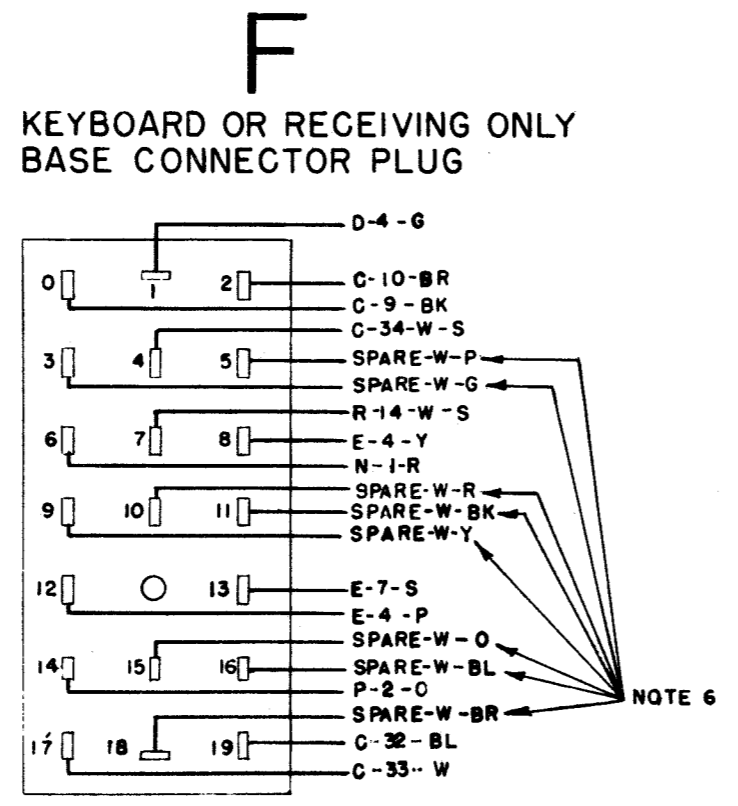
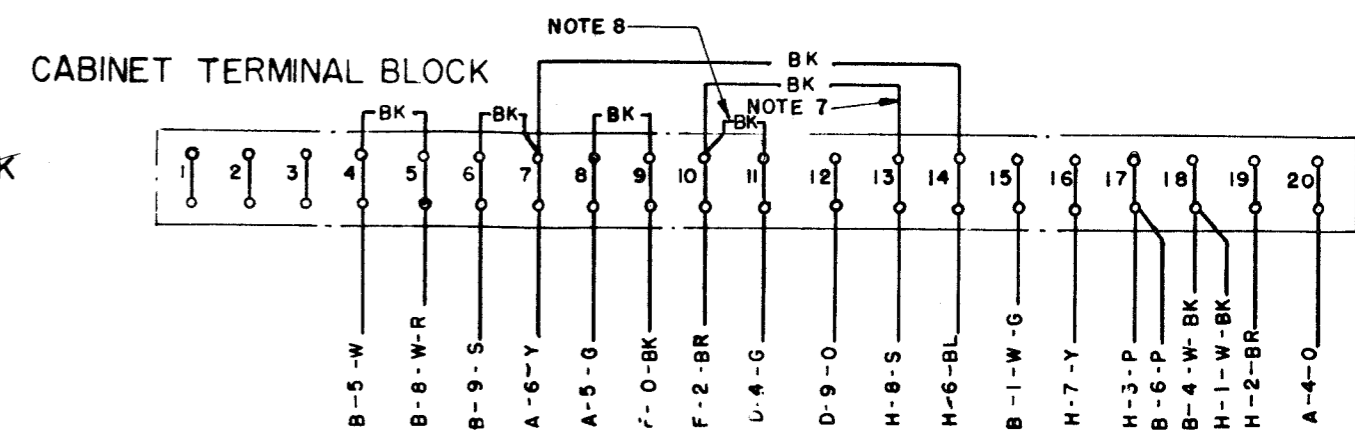
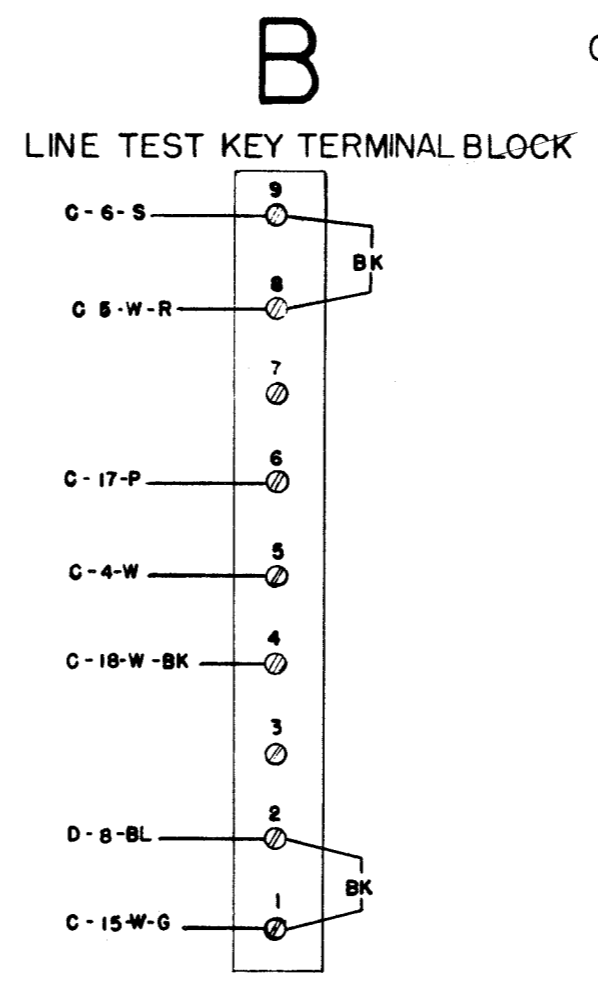
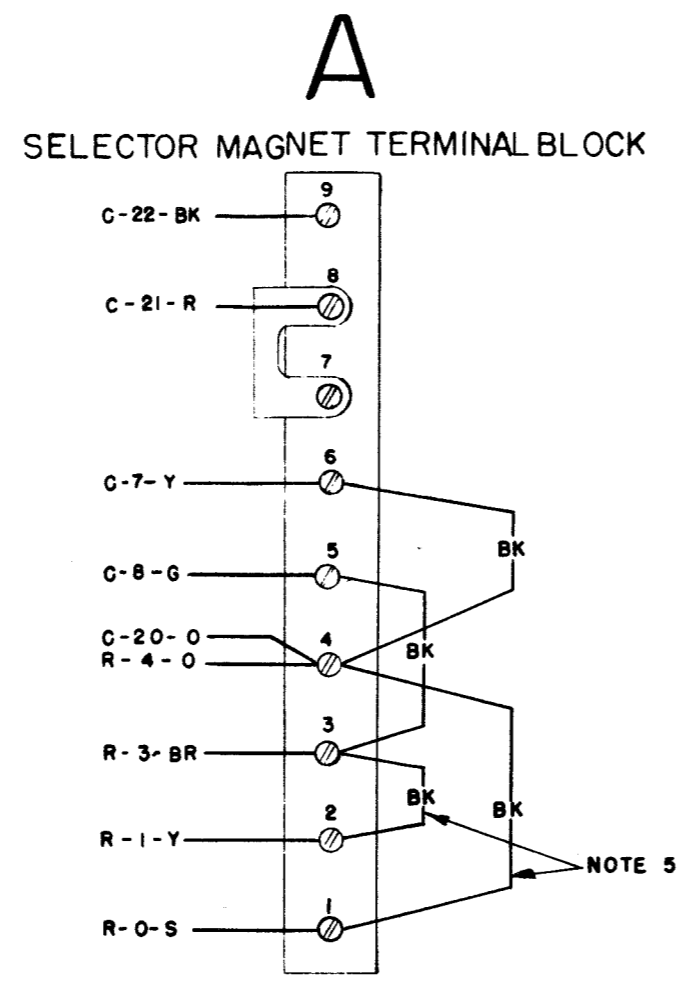
7. LINE SHUNT RELAY SHOWN CONTROLLED BY MOTOR CONTROL CONTACTS AND SHUNTING SELECTOR MAGNETS AND KEYBOARD SIGNAL GENERATOR CONTACTS.

a. IF KEYBOARD SHUNTING IS NOT DESIRED, REMOVE THE BLACK STRAP CONNECTED BETWEEN TERMINALS C-10 AND C-13 AND CONNECT TERMINALS C-9 AND C-13.

b. FOR DIRECT CONTROL OF THE LINE SHUNT RELAY FROM THE POWER SWITCH, REMOVE STRAP BETWEEN TERMINALS C-34 AND C-37 AND CONNECT TERMINALS C-34 AND C-35; TERMINAL C-13 MAY THEN BE CONNECTED TO EITHER TERMINALS C-9, C-10, C-11, OR C-15 TO OBTAIN THE DESIRED SHUNTING OF THE SIGNAL LINE CIRCUIT.

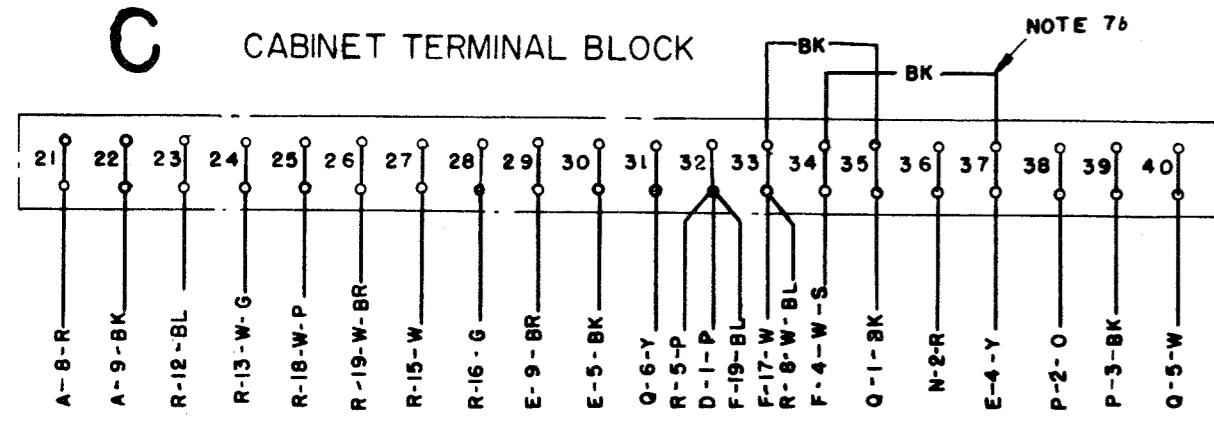
8. REMOVE THIS STRAP WHEN ASSOCIATED KEYBOARD OR REC. ONLY BASE IS EQUIPPED WITH AN ELECTRICAL BREAK SWITCH.

RTTY ELECTRONICS
 TELETYPE Sales-Service-Parts
 PO Box 20101 El Sobrante, Ca.
 94320. (510)222-3102
 mr_rity@pacbell.net

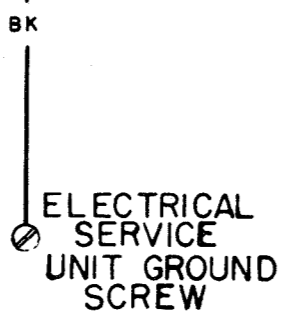


ISSUE	DATE	AUTH. NO.
A	7-8-55	28-5583
B	1-26-56	28-6213
C	5 8 57	28-7615
D	3-28-62	69768-10

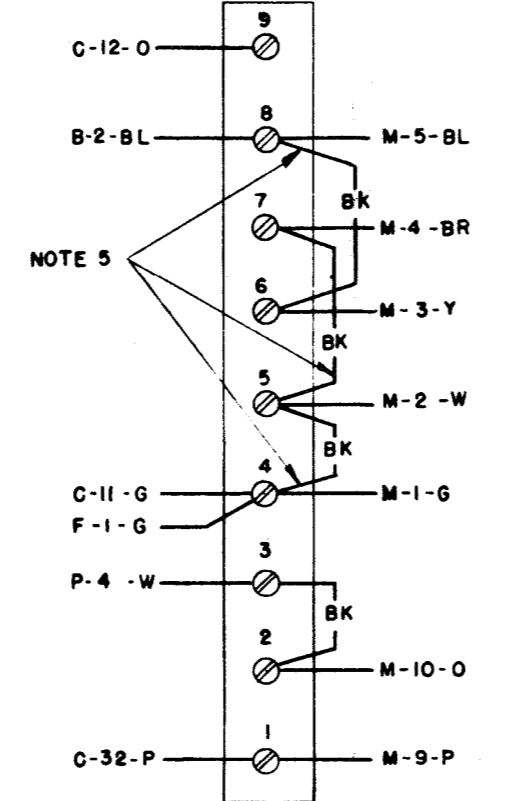
C CABINET TERMINAL BLOCK



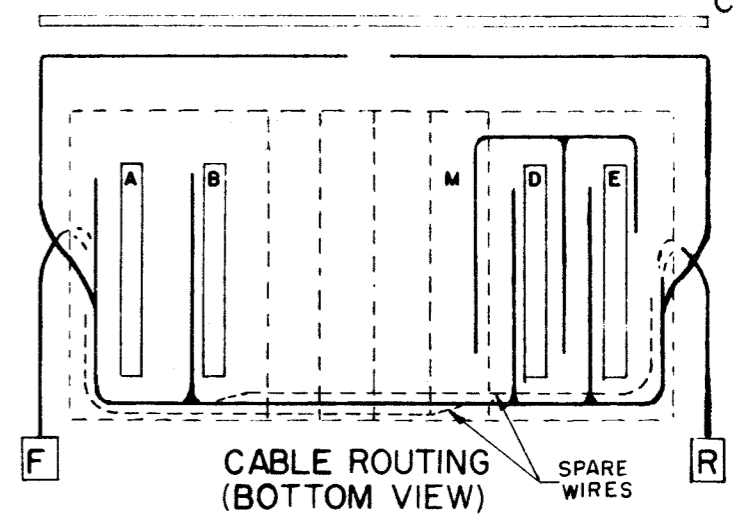
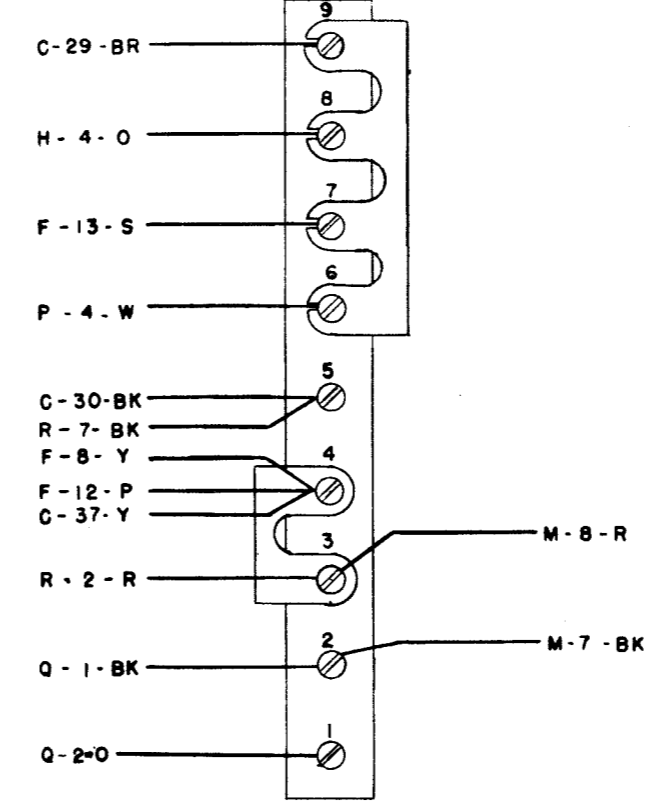
TO CABINET GROUND SCREW



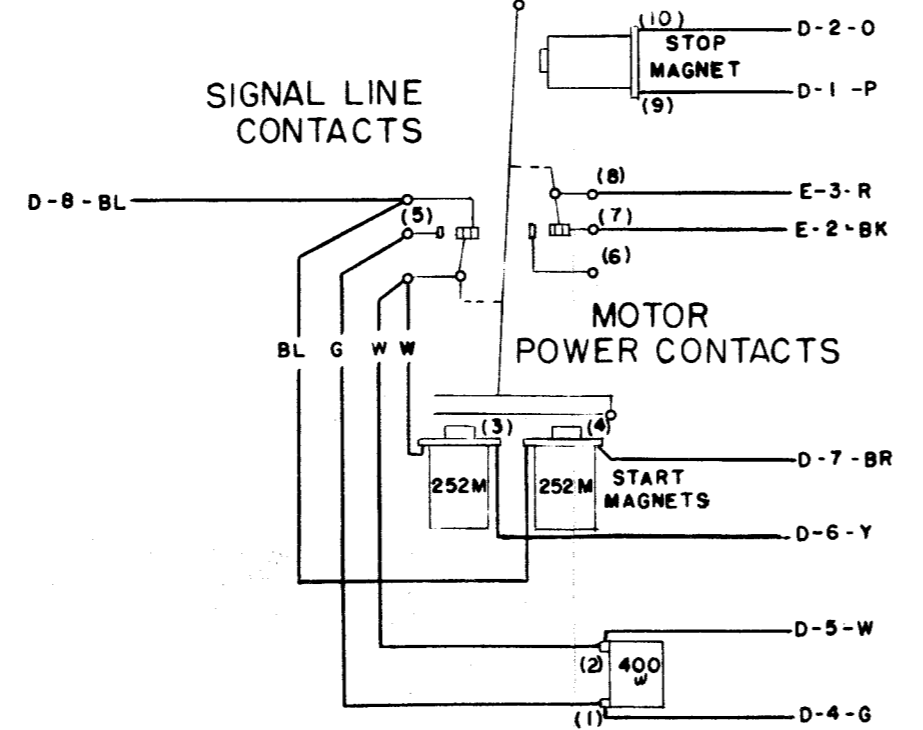
D MOTOR CONTROL TERMINAL BLOCK



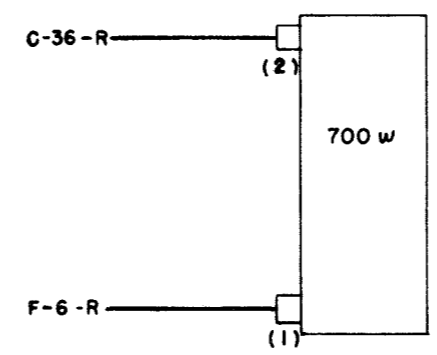
E POWER TERMINAL BLOCK



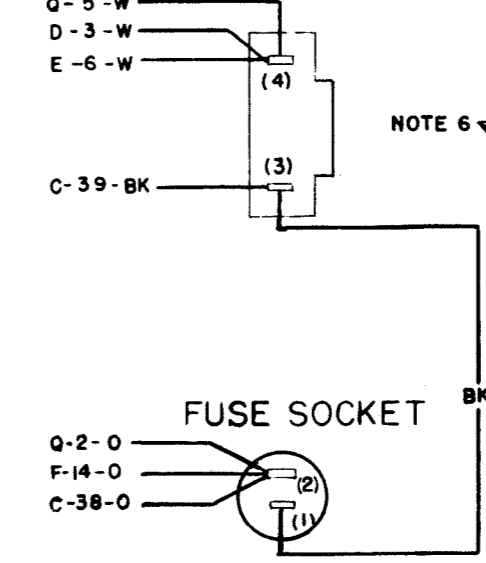
M ELEC. MOTOR CONTROL ASSEM 152336 & 153251



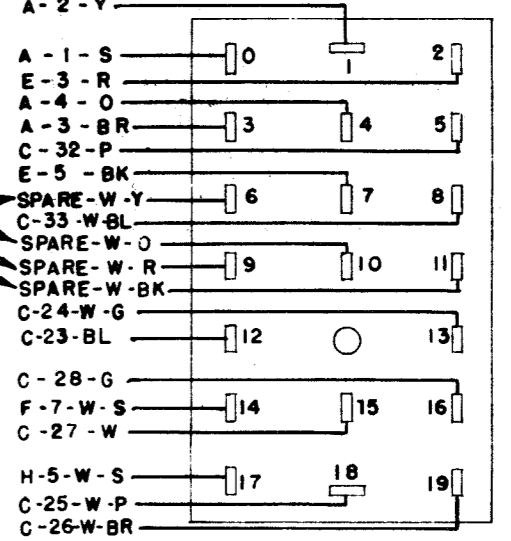
N MARGIN INDICATOR LAMP RESISTOR



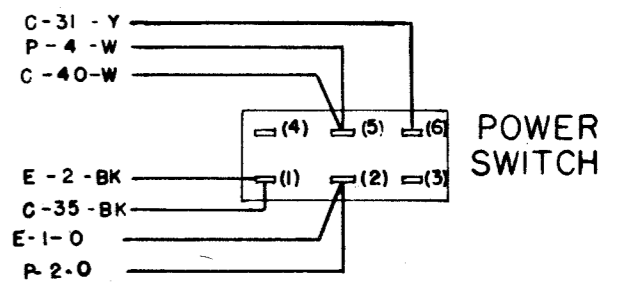
P CONVENIENCE RECEPTACLE



R TYPING UNIT CONNECTOR PLUG A-2-Y



Q



FOR SCHEMATIC SEE 2893 WD

ACTUAL WIRING DIAGRAM
 MODEL 28
 ELECTRICAL SERVICE UNIT
 LESU 7/147,191
 WITH ELEC. MOTOR CONTROLS
 153251(147) & 152336(191)

DATE: 1-24-55
 P.D. FILE NO. 1.30.65.156A
 DRAWN: U.S. ENG. CHKD: *RDG*
 ENGD: BMR APPD: *BMR*

TELETYPE CORPORATION
 2892WD