

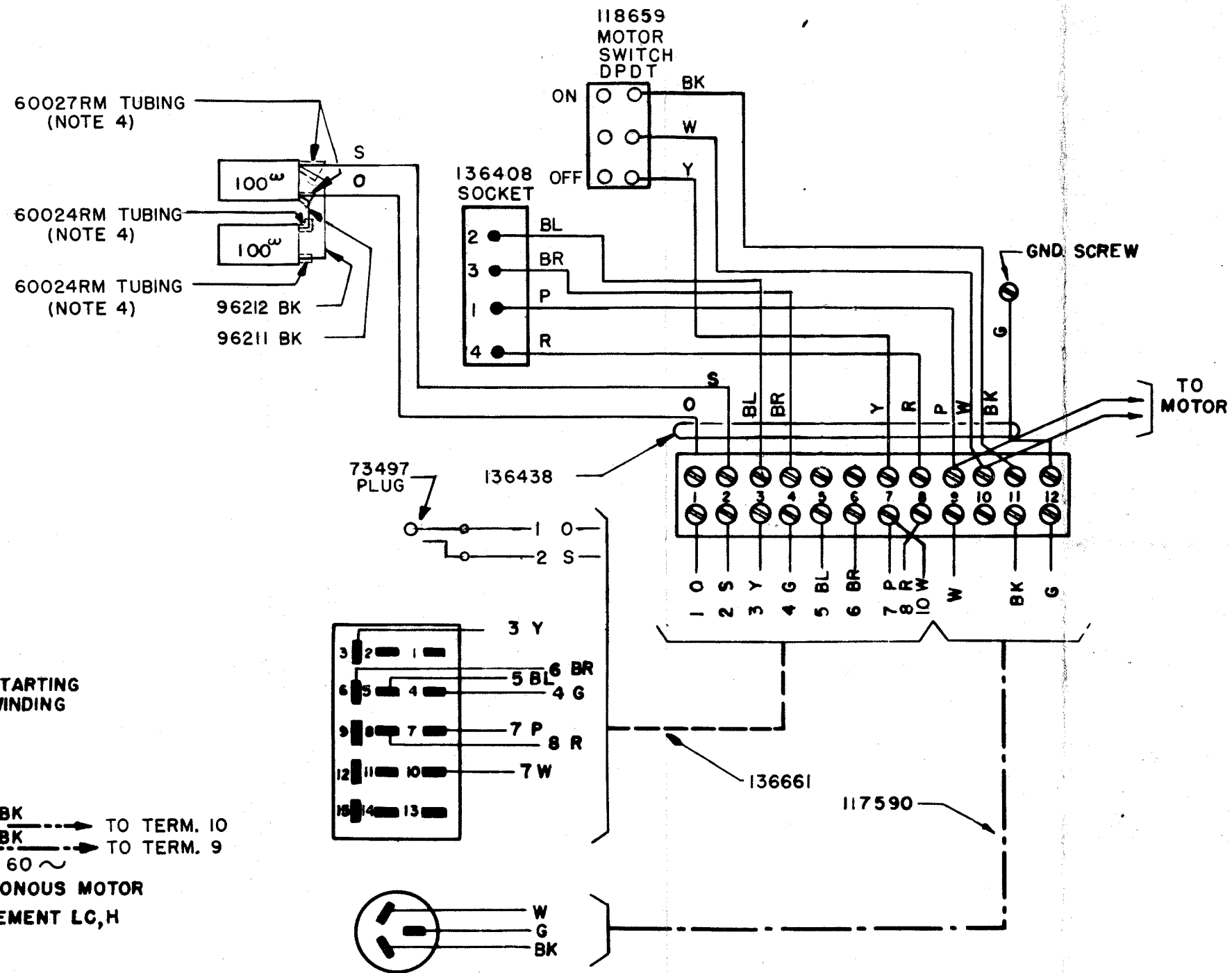
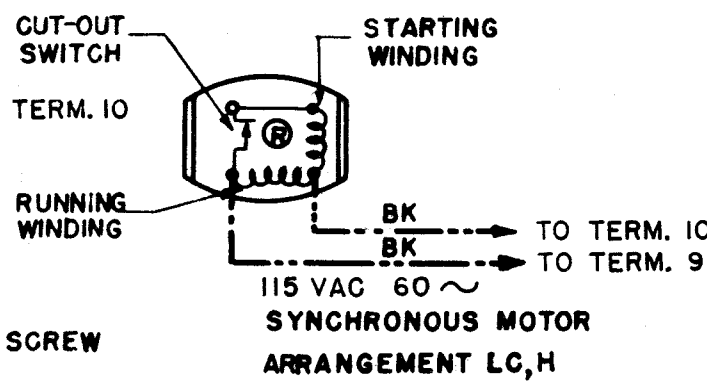
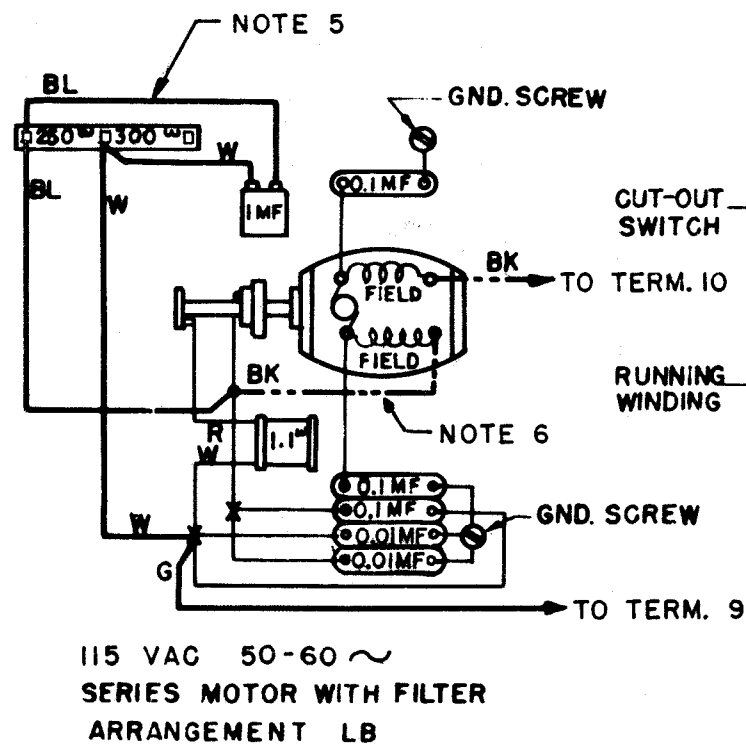
NOTES

- 1 WIRE CABLE CODES AND SYMBOLS:

W	WHITE	BL	BLUE	BK	BLACK
G	GREEN	R	RED	Y	YELLOW
O	ORANGE	BR	BROWN	S	SLATE
P	PURPLE				

—* DENOTES WIRES TO BE TAPED, OR SPLICED AND TAPED.
- 2 ASSOCIATED CABLES:

—————	106896	CABLE
—————	117590	CABLE (POWER)
-----	136661	CABLE
—————	136438	CABLE
-----		MOTOR LEADS
- 3 CONNECTORS ARE SHOWN FROM PRONG AND SLOT ENDS.
- 4 60024RM TUBING CUT TO 3/4" LENGTHS - 2 PLACES.
60027RM TUBING CUT TO 3/4" LENGTHS - 2 PLACES.
- 5 COVER LEADS AT GOVERNOR RESISTOR TERMINALS WITH HIGH TEMPERATURE TUBING. 60278RM FOR NO.22 WIRE, 60279RM FOR NO.18 WIRE, AND 60280RM FOR MOTOR LEADS.
- 6 CUT LEAD TO 5" LENGTH, SKIN, TWIST, AND TIN 3/8".



REVISIONS	
A	9-20-55 61821
B	
C	
D	
E	
F	
G	
H	

RTTY ELECTRONICS
TELETYPE Sales-Service-Parts
PO Box 20101 El Sobrante, Ca.
94820. (510)222-3102
mr_rtty@pacbell.net

3146 WD
4-11-55
ACTUAL
WIRING DIAGRAM
TYPING
REPERFORATOR
FPR 74
MOTOR ARR'G'T.M. LB, LC
DRAWN: V. W. APPROVED
ENGR'D:
CHECKED:
FILE: 6-A2AA
TELETYPE
CORPORATION