

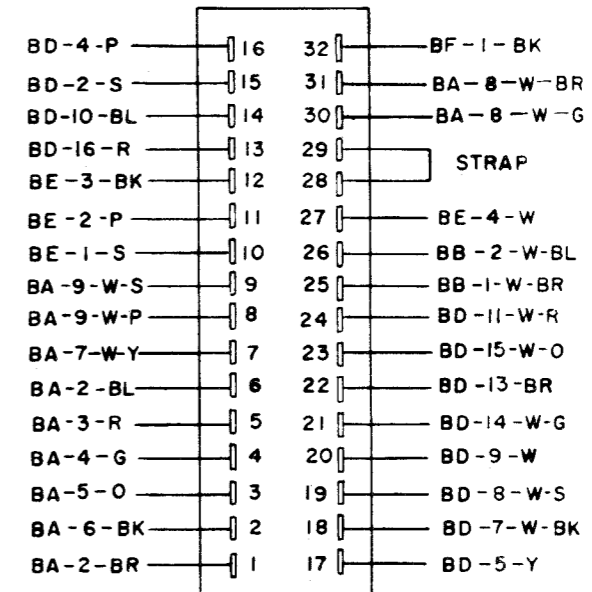
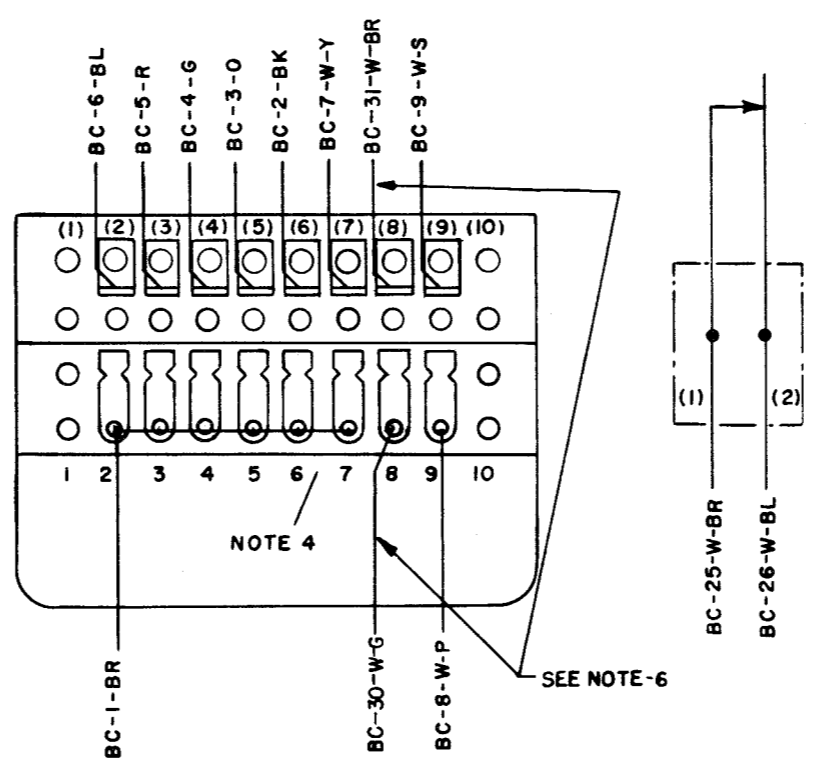
REVISIONS

| ISSUE | DATE    | AUTH. NO. |
|-------|---------|-----------|
| 2     | 4-13-57 | TP-1523   |
| 3     | 9-17-57 | TP-2350   |
| 4     | 12-6-57 | TP-2854   |
| 5     | 7-7-58  | 28-9566   |
| 6     | 4-16-58 | 28-10909  |
| 7     | 9-14-58 | 28-11662  |
| 8     | 1-5-60  | 28-12339  |
| 9     | 8-6-62  | 77-45     |
| 10    | 8-17-63 | 875C6     |

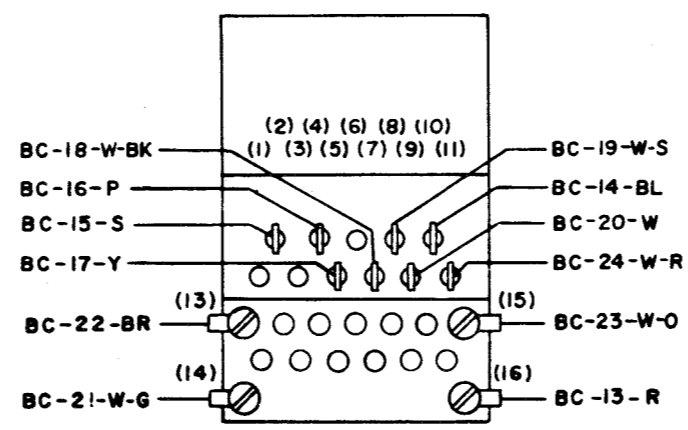
- NO. NOTES
- WIRING LEGEND:
  - COLOR CODE:

|            |            |                    |
|------------|------------|--------------------|
| BK - BLACK | P - PURPLE | W-BK - WHITE BLACK |
| BL - BLUE  |            | W-BL - WHITE BLUE  |
| BR - BROWN |            | W-BR - WHITE BROWN |
| G - GREEN  |            | W-G - WHITE GREEN  |
| O - ORANGE |            | W-O - WHITE ORANGE |
| W - WHITE  |            | W-R - WHITE RED    |
| Y - YELLOW |            | W-Y - WHITE YELLOW |
| R - RED    |            | W-P - WHITE PURPLE |
| S - SLATE  |            | W-S - WHITE SLATE  |
  - CONNECTOR, BLOCKS AND MAGNETS ARE VIEWED FROM SOLDER TERMINAL ENDS.
  - STRAP WITH #18 GAGE BARE WIRE AS INDICATED.
  - THIS WIRING DIAGRAM IS USED WITH 159809 CABLE ONLY.
  - LAXD 1 & 4 ONLY, OMIT ON LAXD 2 (TAPE AND TIE ENDS TO CABLE)

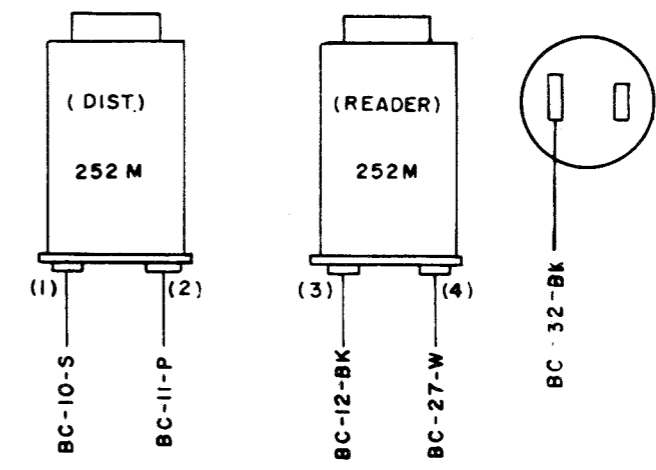
BA DISTRIBUTOR BLOCK BB LAST CHARACTER SWITCH TRANS-DISTR. CONNECTOR BC



BD TRANSMITTER BLOCK



BE MAGNETS BF LINE SHUNT CONNECTOR



RTTY ELECTRONICS  
 TELETYPE=Sales-Service-Parts  
 PO Box 20101 El Sobrante, Ca.  
 94820. (510)222-3102  
 mr\_rtty@pacbell.net

APPROVALS

|                    |                    |
|--------------------|--------------------|
| D AND R            | E OF M             |
| <i>[Signature]</i> | <i>[Signature]</i> |
| E. NUMBER          |                    |
| PROD. NO. 3277 WD  |                    |

ACTUAL WIRING DIAGRAM

FOR LAXD 1 LAXD 2 LAXD 4

LAXD1 = 28 F & G

DATE: 2-18-57

P.D. FILE NO 1-58.65AA

DRAWN E.K.S. CHKD R.D.

ENGD A.A.H. APPD *[Signature]*

TELETYPE CORPORATION

3277WD