

RTTY ELECTRONICS
 TELETYPE=Sales-Service-Parts
 PO Box 20101 El Sobrante, Ca.
 94820. (510)222-3102
 mr_rtty@pacbell.net

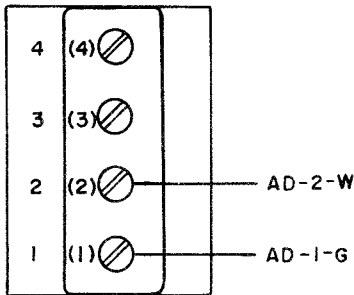
3279 WD

REVISIONS

ISSUE	DATE	AUTH. NO.
A	1-15-58	TP-3003
B	1-2-59	28-10428
C	4-16-59	28-10910

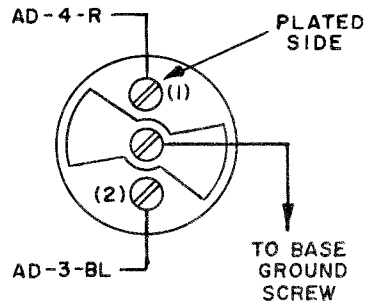
AA

MOTOR TERMINAL BOARD



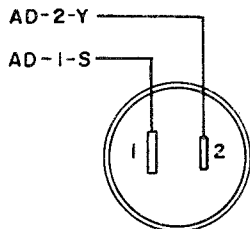
AB

AC CONNECTOR



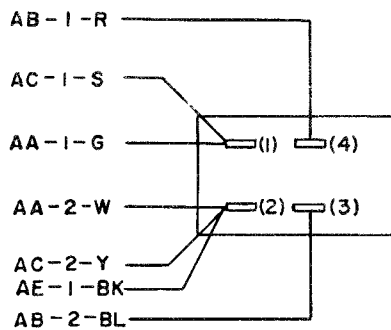
AC

CAPACITOR CONNECTOR



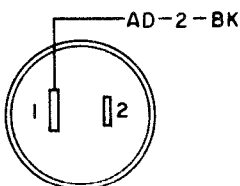
AD

POWER SWITCH



AE

LINE SHUNT CONNECTOR



FOR SCHEMATIC SEE 3281 WD

APPROVALS

D AND R *[Signature]* E OF M *[Signature]*

E. NUMBER

PROD. NO. 3279 WD

ACTUAL
 WIRING DIAGRAM

MODEL 28
 REPERFORATOR-
 TRANSMITTER BASE
 LRXB 1,2,3,4,5

DATE: 2-11-57

P.D. FILE NO. 1-116.65AA

DRAWN. E.K.S. CHKD. R.D.

ENGD. A.A.H. APPD. *[Signature]*

TELETYPE
 CORPORATION

3279 WD