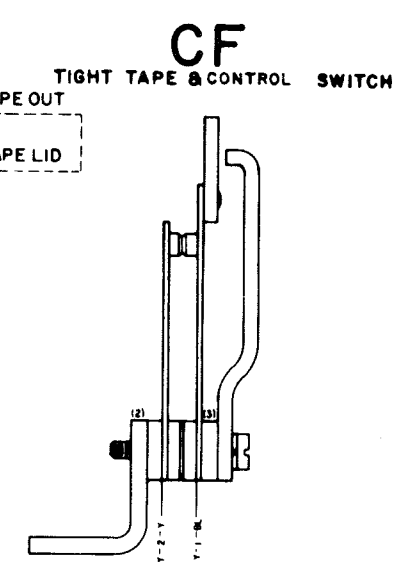
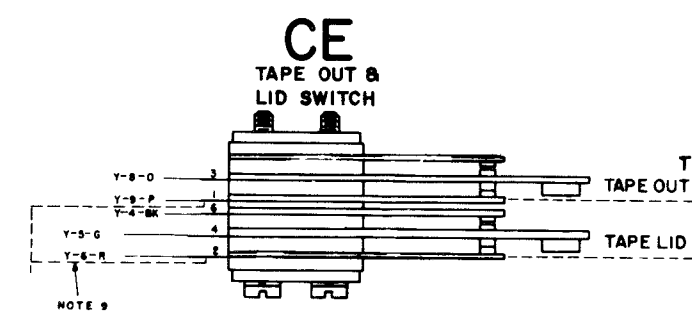
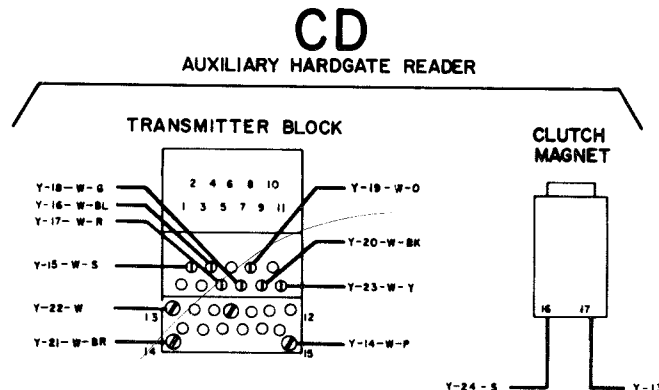
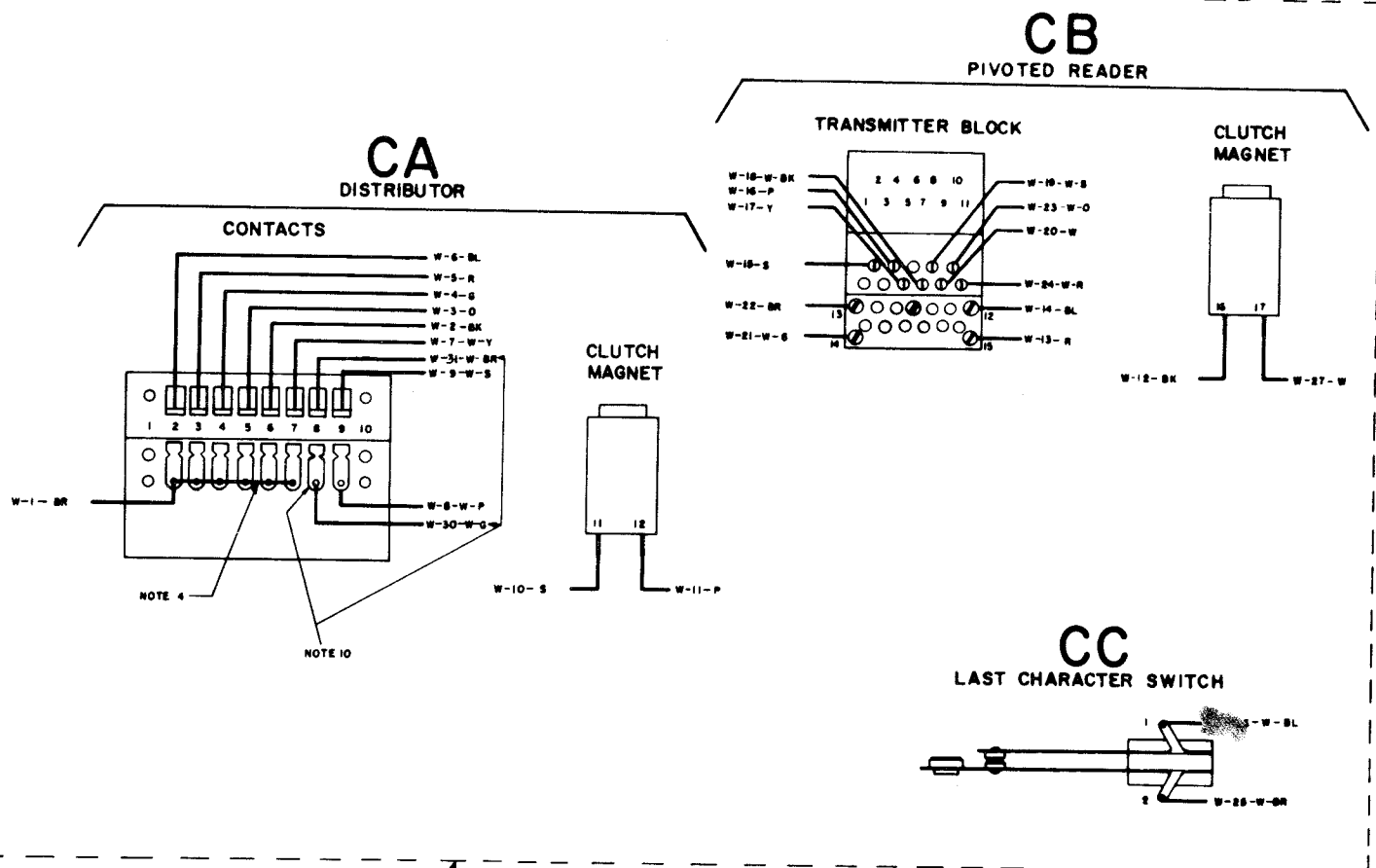
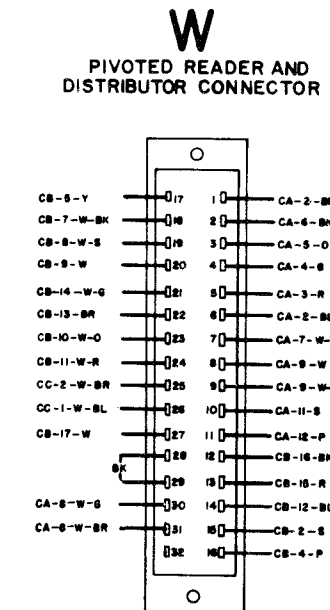
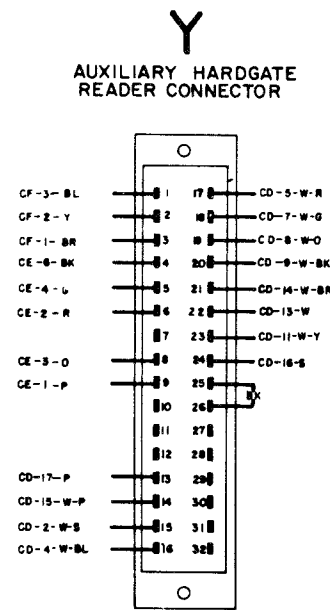


- NO. NOTES
1. WIRING LEGEND
- A-1-W-BL
- DISTANT TERMINATING AREA
DISTANT TERMINAL DESIGNATION
- WIRE COLOR CODE
2. COLOR CODE
- | | |
|------------|--------------------|
| BK - BLACK | W-BK - WHITE-BLACK |
| BR - BROWN | W-BR - WHITE-BROWN |
| R - RED | W-R - WHITE-RED |
| O - ORANGE | W-O - WHITE-ORANGE |
| Y - YELLOW | W-Y - WHITE-YELLOW |
| G - GREEN | W-G - WHITE-GREEN |
| BL - BLUE | W-BL - WHITE-BLUE |
| P - PURPLE | W-P - WHITE-PURPLE |
| W - WHITE | W-S - WHITE-SLATE |
| S - SLATE | |
3. CONNECTORS VIEWED FROM BOLDER TERMINAL ENDS.
4. STRAP WITH #20 GAGE WIRE 39522RM AS INDICATED.
5. ASSOCIATED CABLE - 159852 - 159857 (LCXD1)
6. ASSOCIATED SCHEMATIC WIRING DIAGRAM NO. 3289WD.
7. FOR LAXD3 WIRING, REFER TO DOTTED INCLOSURE.
8. ASSOCIATED CABLE - 159849 (LAXD3)
9. TAPE LID CONTACTS, ENCLOSED BY DOTTED LINE, NOT INCLUDED ON THE LCXD3 TAPE AND YE BACK ALONG THE CABLE THE Y-4-BK, Y-5-G, AND Y-6-R WIRES ON LCXD3.
10. CAB TERMINALS NOT INCLUDED ON THE LCXD3 TAPE AND TIE BACK ALONG THE CABLE THE W-31-WBR AND W-30-W-G WIRES AT THIS END.



RTTY ELECTRONICS
TELETYPE=Sales-Service-Parts
PO Box 20101 El Sobrante, Ca.
94820. (510)222-3102
mr_rtty@pacbell.net

3288 WD

REV	DATE	AUTH. NO.
1	8-11-57	W-1188
2	8-21-57	W-1188
3	8-21-57	W-1188
4	8-21-57	W-1188
5	8-21-57	W-1188
6	8-21-57	W-1188
7	8-21-57	W-1188
8	8-21-57	W-1188
9	8-21-57	W-1188
10	8-21-57	W-1188

LCXD1=28B
LAXD3=28C

APPROVALS

DATE 2-16-57

P O FILE NO. 6 00-0000

TELETYPE CORPORATION

3288 WD