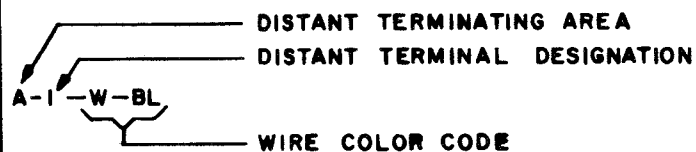


ISSUE	DATE	AUTH. NO.
A	3-13-59	28-108
B	10-3-61	71116

WIRING LEGEND:

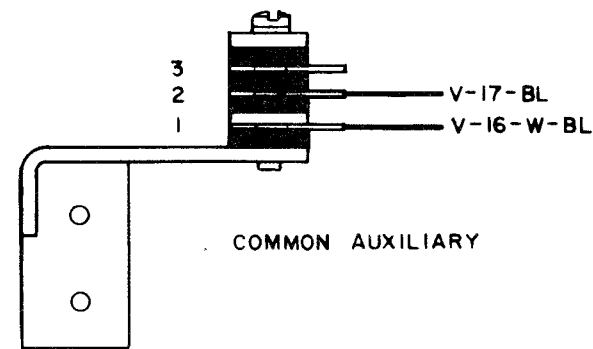


COLOR CODE:

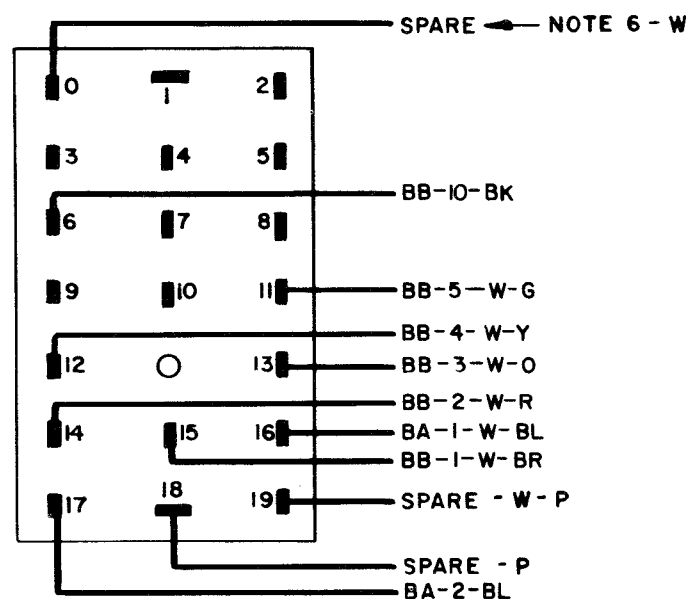
BK - BLACK	W - BK	WHITE - BLACK
BR - BROWN	W - BR	WHITE - BROWN
R - RED	W - R	WHITE - RED
O - ORANGE	W - O	WHITE - ORANGE
Y - YELLOW	W - Y	WHITE - YELLOW
G - GREEN	W - G	WHITE - GREEN
BL - BLUE	W - BL	WHITE - BLUE
P - PURPLE	W - P	WHITE - PURPLE
W - WHITE	W - S	WHITE - SLATE
S - SLATE		

- 3 CONNECTOR VIEWED FROM SOLDER TERMINAL SIDE.
- 4 CODE READING CONTACTS ARE STRAPPED WITH 39603RM COPPER WIRE.
- 5 ASSOCIATED CABLE 158257
- 6 SPARE LEADS ARE TERMINATED AT THE AUXILIARY CONTACTS, AND ARE RESERVED FOR UNIVERSAL CONTACT ASSEMBLY.

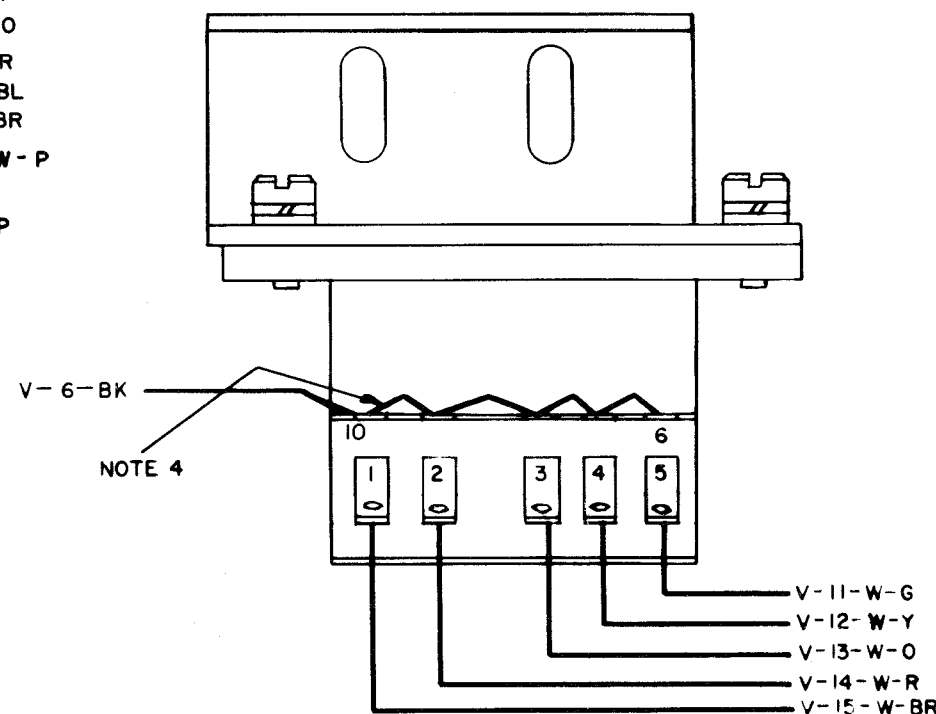
BA  
AUXILIARY CONTACTS



V  
PERFORATOR CONNECTOR



BB  
CODE READING CONTACTS



RTTY ELECTRONICS  
TELETYPE=Sales-Service-Parts  
PO Box 20101 El Sobrante, Ca.  
94820. (510)222-3102  
mr\_rtty@pacbell.net

ACTUAL  
WIRING DIAGRAM  
LPE-2  
CODE READING  
CONTACT ASSEM.

APPROVALS

D AND R E O M

*[Signatures]*

E-NUMBER  
PROD. NO. 3309WD

DATE: 3-25-56

P.D. FILE NO. 24-A65AA

DRAWN R.W.D. CHKD. *[Signature]*

ENGD J.M. APPD. *[Signature]*

TELETYPE  
CORPORATION

3309 WD