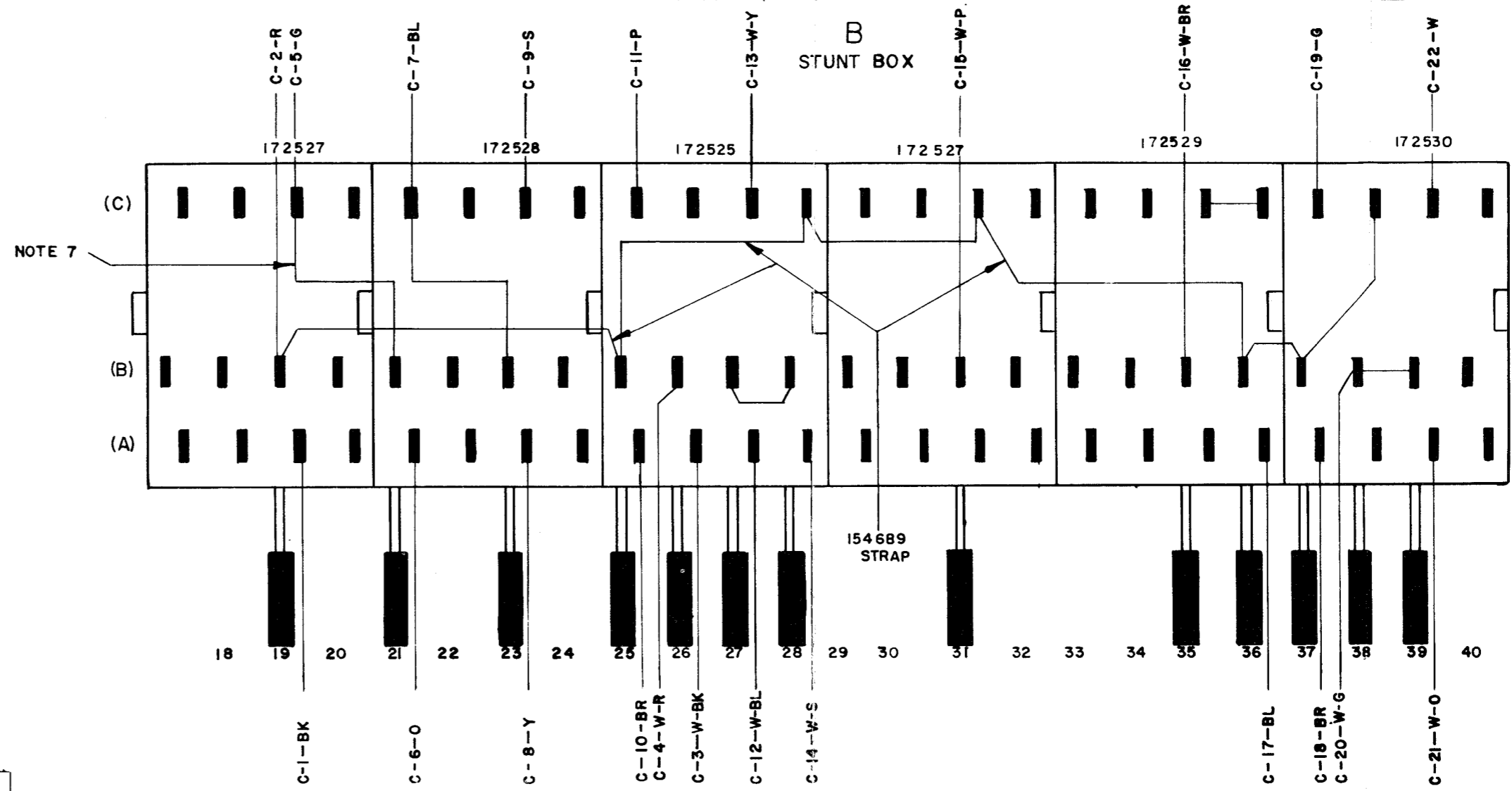
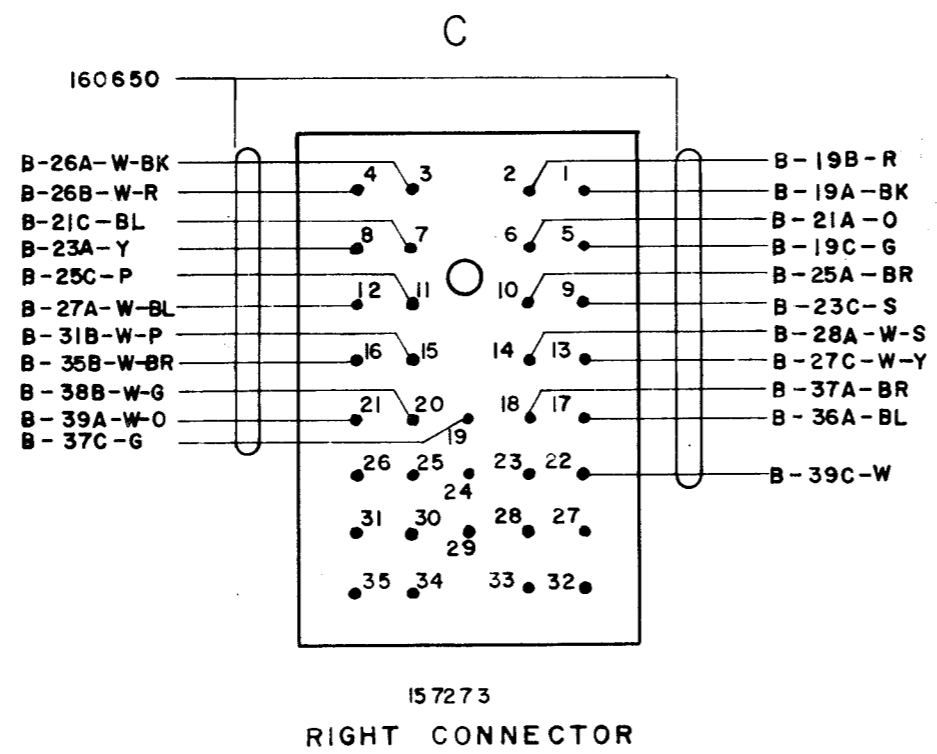
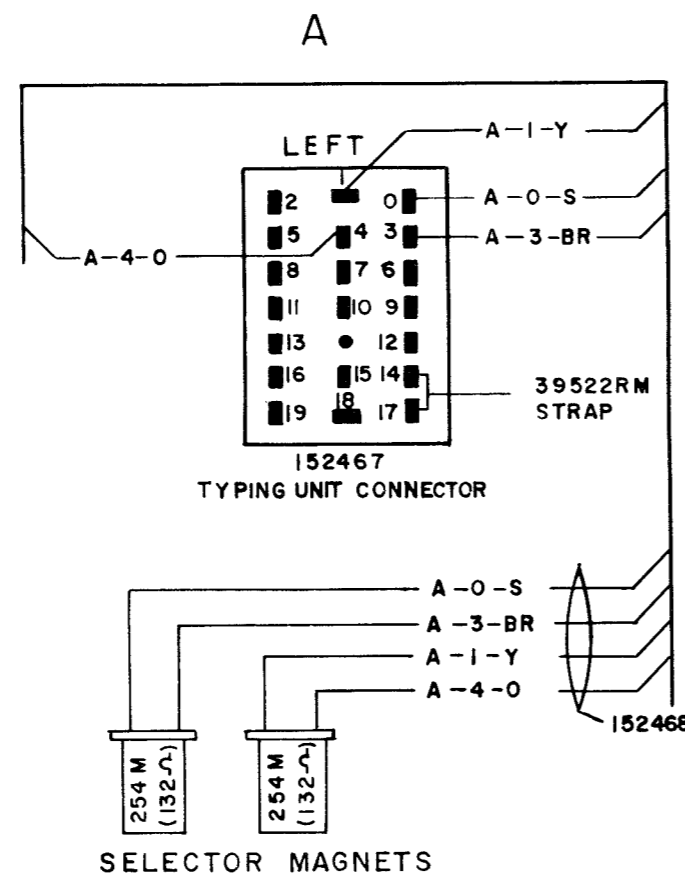


NO.	NOTES																		
1	<p>DISTANT TERMINATING AREA DISTANT TERMINAL DESIGNATION C-8-W-BL WIRE COLOR CODE</p>																		
2	<p>COLOR CODE:</p> <table border="0"> <tr> <td>BK - BLACK</td> <td>G - GREEN</td> </tr> <tr> <td>W - WHITE</td> <td>W-BK - WHITE BLACK</td> </tr> <tr> <td>Y - YELLOW</td> <td>W-Y - WHITE YELLOW</td> </tr> <tr> <td>P - PURPLE</td> <td>W-P - WHITE PURPLE</td> </tr> <tr> <td>S - SLATE</td> <td>W-S - WHITE SLATE</td> </tr> <tr> <td>BL - BLUE</td> <td>W-BL - WHITE BLUE</td> </tr> <tr> <td>R - RED</td> <td>W-BR - WHITE BROWN</td> </tr> <tr> <td>BR - BROWN</td> <td>W-O - WHITE ORANGE</td> </tr> <tr> <td>O - ORANGE</td> <td>W-G - WHITE GREEN</td> </tr> </table>	BK - BLACK	G - GREEN	W - WHITE	W-BK - WHITE BLACK	Y - YELLOW	W-Y - WHITE YELLOW	P - PURPLE	W-P - WHITE PURPLE	S - SLATE	W-S - WHITE SLATE	BL - BLUE	W-BL - WHITE BLUE	R - RED	W-BR - WHITE BROWN	BR - BROWN	W-O - WHITE ORANGE	O - ORANGE	W-G - WHITE GREEN
BK - BLACK	G - GREEN																		
W - WHITE	W-BK - WHITE BLACK																		
Y - YELLOW	W-Y - WHITE YELLOW																		
P - PURPLE	W-P - WHITE PURPLE																		
S - SLATE	W-S - WHITE SLATE																		
BL - BLUE	W-BL - WHITE BLUE																		
R - RED	W-BR - WHITE BROWN																		
BR - BROWN	W-O - WHITE ORANGE																		
O - ORANGE	W-G - WHITE GREEN																		
3	X DENOTES DEAD-ENDED LEADS																		
4	CONNECTOR VIEWED FROM SOLDERED TERMINAL ENDS																		
5	<p>TRANSFER CONTACT NORMALLY CLOSED CONTACT</p>																		
6	<p>ASSOCIATED LESU MUST BE EQUIPPED WITH AC-DC CONVERSION ASSEMBLY FOR DC OPERATION OF SIGNAL BELL CONTACTS.</p> <p>152021 FOR LESU 5 152624 FOR LESU 7</p>																		
7	LEADS NOT IDENTIFIED ARE: 39555 RM STRAPPING WIRE 6 0019 RM TUBING																		

RTTY ELECTRONICS
TELETYPE Sales-Service-Parts
PO Box 20101 El Sobrante, Ca.
94820 (510)222-3102
mr_rtty@pacbell.net



3461 WD		
REVISIONS		
ISSUE	DATE	AUTH. NO.
A	10-14-60	28-13541
B		
C		

[Signature]
3461 WD.
CASE: 2537-3

WIRING DIAGRAM MODEL 28
TYPING UNIT LP 40
STUNT BOX AFC
DATE: 11-6-57
PD FILE: 1-30 65.125A
DRAWN F.H.S. CHKD <i>[initials]</i>
ENGD T.D.C. APPD <i>[initials]</i>
TELETYPE CORPORATION
3461 WD