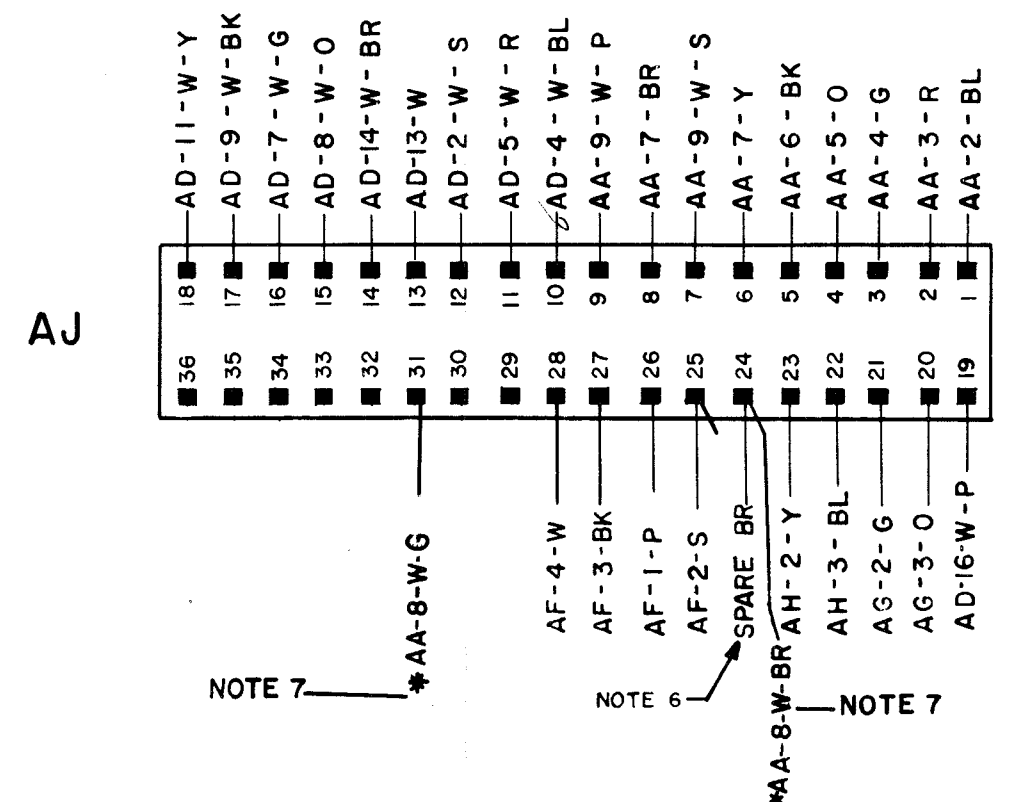
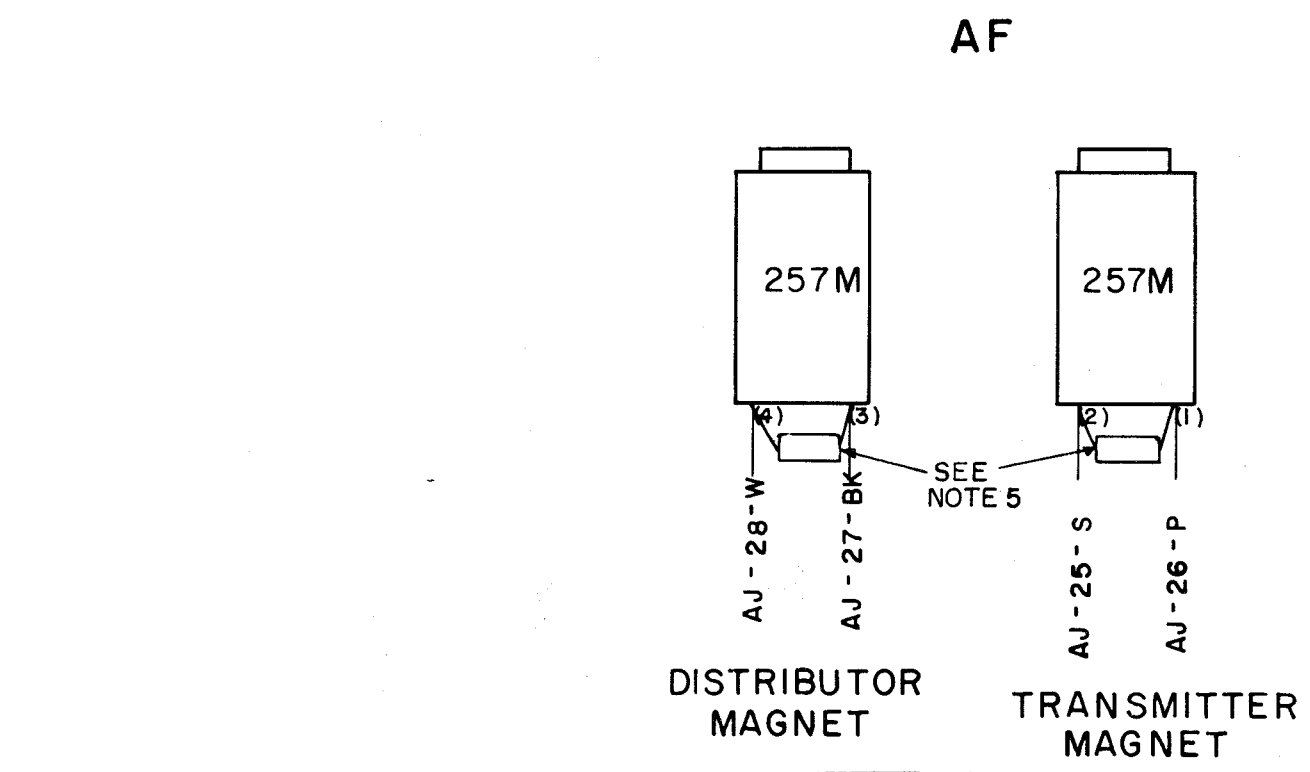
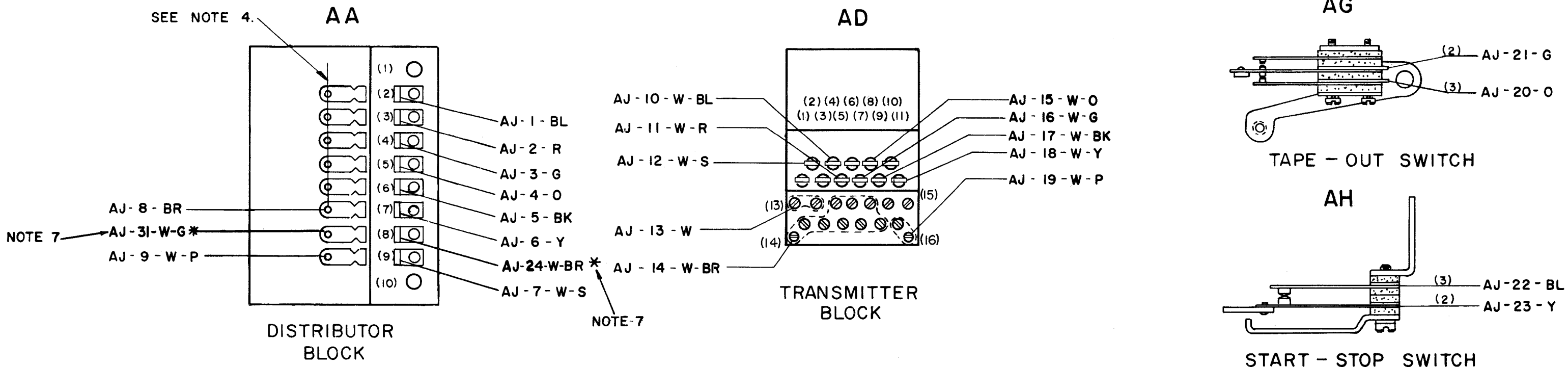


ISSUE	DATE	AUTH. NO.
1	4-1-57	28-10893
2	5-12-59	28-11150
3	6-19-59	28-11150
4	7-31-61	72310
5	2-28-62	72599
6	4-2-62	72995
7	3-18-65	86581
8	4-1-65	86580
9	8-18-65	87498
10	10-13-65	88989

- NO. NOTES
- WIRING LEGEND
 - COLOR CODE

BK - BLACK	W-S - WHITE	SLATE
BL - BLUE	W-BL WHITE BLUE	
BR - BROWN	W-BR WHITE BROWN	
G - GREEN	W-O WHITE ORANGE	
O - ORANGE	W-R WHITE RED	
R - RED	W-P WHITE PURPLE	
Y - YELLOW	W-Y WHITE YELLOW	
W - WHITE	W-BK WHITE BLACK	
S - SLATE	W-G WHITE GREEN	
P - PURPLE		
 - CONNECTOR VIEWED FROM SOLDER TERMINAL END.
 - STRAP WITH #18 GAUGE WIRE AS INDICATED
 - ONE NETWORK 165027 IS WIRED TO THE DISTRIBUTOR MAGNET ON THE LBXD-6,23. TWO NETWORKS 165027, ONE WIRED TO THE DISTRIBUTOR MAGNET AND ONE TO THE XTR MAGNET, ARE USED ON THE LBXD-7,19,29
 - TERMINALS AJ24 AND AJ31 USED ON LBXD7 FOR DISTRIBUTOR AUXILIARY B CONTACT BY 178957 MODIFICATION KIT.
 - ASTERISK (*) INDICATES 178958 CABLE ASSEMBLY. UNSOLDER THE SPARE BROWN WIRE OF 161349 CABLE FROM TERMINAL 24 OF CONNECTOR AJ ON LBXD 29. INSERT THE UNSOLDERED BROWN WIRE INTO THE TUBING OF THE 178958 CABLE
 - ASSOCIATED CABLES:
161349-LBXD 6,7,19,23,29,
178958-LBXD 29



ACTUAL WIRING DIAGRAM FOR LBXD 6, 7, 19, 23, 29

LBXD = 286

RTTY ELECTRONICS
TELETYPE=Sales-Service-Parts
PO Box 20101 El Sobrante, Ca.
94820. (510)222-3102
mr_rtty@pacbell.net

DATE: 4-23-58
P.D. FILE NO 3-61/5016A
DRAWN C.D.S. CHKD. J.P.K.
ENGD. W.F.K. APPD. G.W.K.
TELETYPE CORPORATION
3536WD