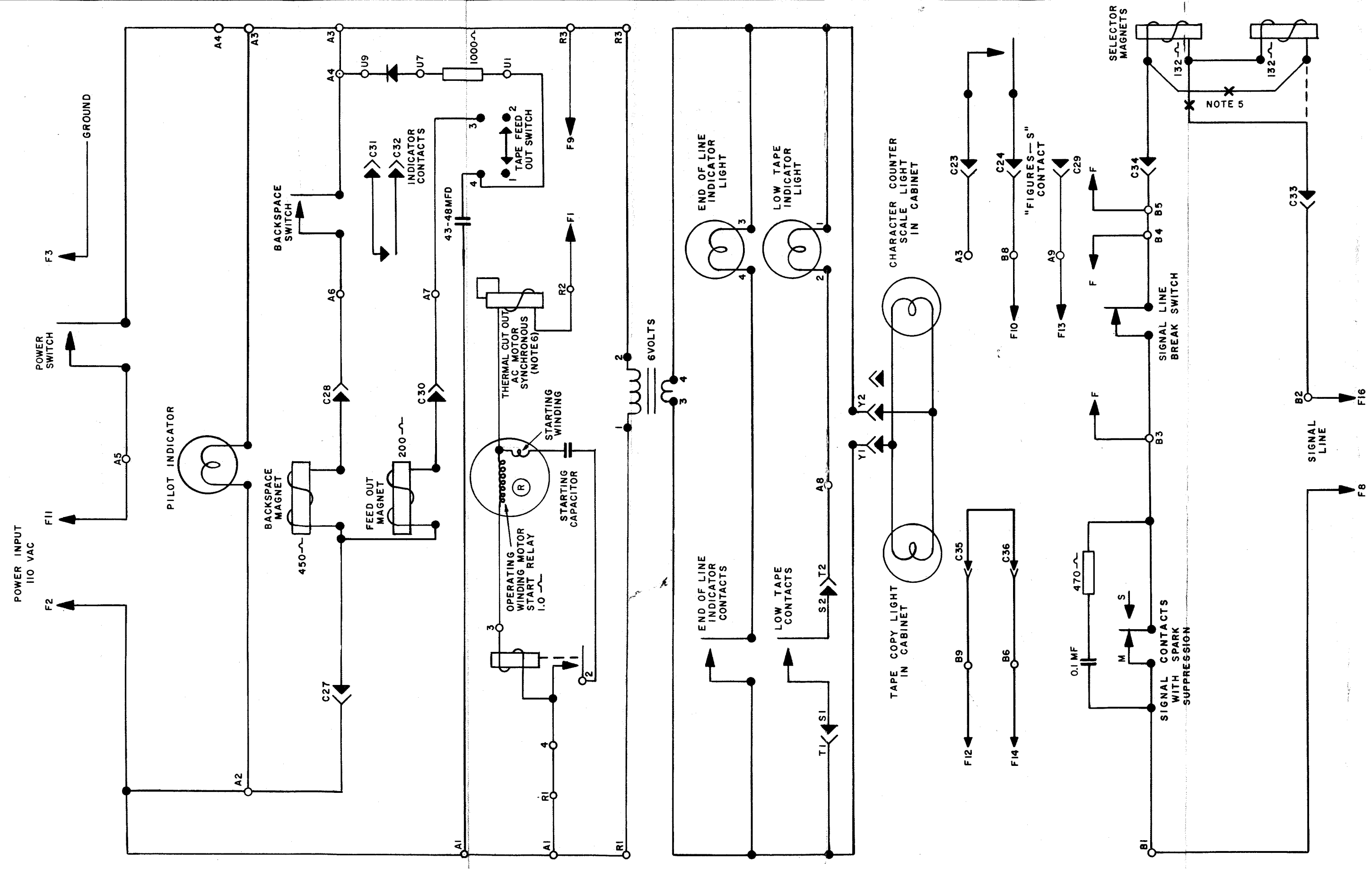


- FOR ACTUAL WIRING DIAGRAMS OF INDIVIDUAL UNITS SEE WD NUMBERS OF COMPONENT UNITS.
3574WD MODEL 28 SEND-RECEIVE BASE LTRK-1
2900WD MOTOR UNITS — LMU 3, 4, 6
- LEGEND
 - A POWER TERMINAL STRIP ON LTRK (LOWER)
 - B LINE TERMINAL STRIP ON LTRK (UPPER)
 - U AUXILIARY TERMINAL STRIP ON LTRK (REAR)
 - R MOTOR TERMINAL STRIP ON LTRK
 - ◁ C 36 POINT CONNECTOR
 - ▲ F 20 POINT CONNECTOR
 - ◄ S LOW TAPE CONTACT (PLUG)
 - ◁ T LOW TAPE CONTACT (RECEPTACLE)
- ALL APPARATUS IS SHOWN IN UN OPERATED OR DE-ENERGIZED POSITIONS.
- RESISTANCE VALUES IN OHMS (—)
CAPACITANCE VALUES IN MICROFARADS (MFD)
- CIRCUITS SHOWN FOR .060 AMP. NEUTRAL SIGNAL LINE OPERATION. FOR .020 AMP. LINE CURRENT, ADD DASHED LINE (---) CONNECTION AND OMIT CONNECTIONS MARKED (*).
- USE SYNCHRONOUS MOTOR ON REGULATED 60~ (±1%) AC POWER ONLY.

RTTY ELECTRONICS
 TELETYPE-Sales-Service-Parts
 PO Box 20101 El Sobrante, Ca.
 94820. (510)222-3102
 mr_rtty@pacbell.net



3575 WD		
REVISIONS		
ISSUE	DATE	AUTH. NO.
A	8-7-59	28-11555
B	10-1-59	28-11795

SCHEMATIC WIRING DIAGRAM MODEL 28
 SEND RECEIVE TYPING REPERFORATOR KEYBOARD LTRK I
 TYPING REPERFORATOR LPR 9
 CABINET LSRC 200

APPROVALS
 D AND R: [Signature]
 E OF M: [Signature]

E-NUMBER
 PROD. NO.

DATE NOV. 13, 1958
 RD. FILE NO. 5-28.65 AA
 DRAWN R.G.K. CHKD. [Signature]
 ENGD. G.W. APPD. [Signature]

TELETYPE CORPORATION
 3575WD