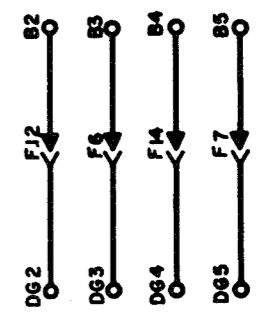
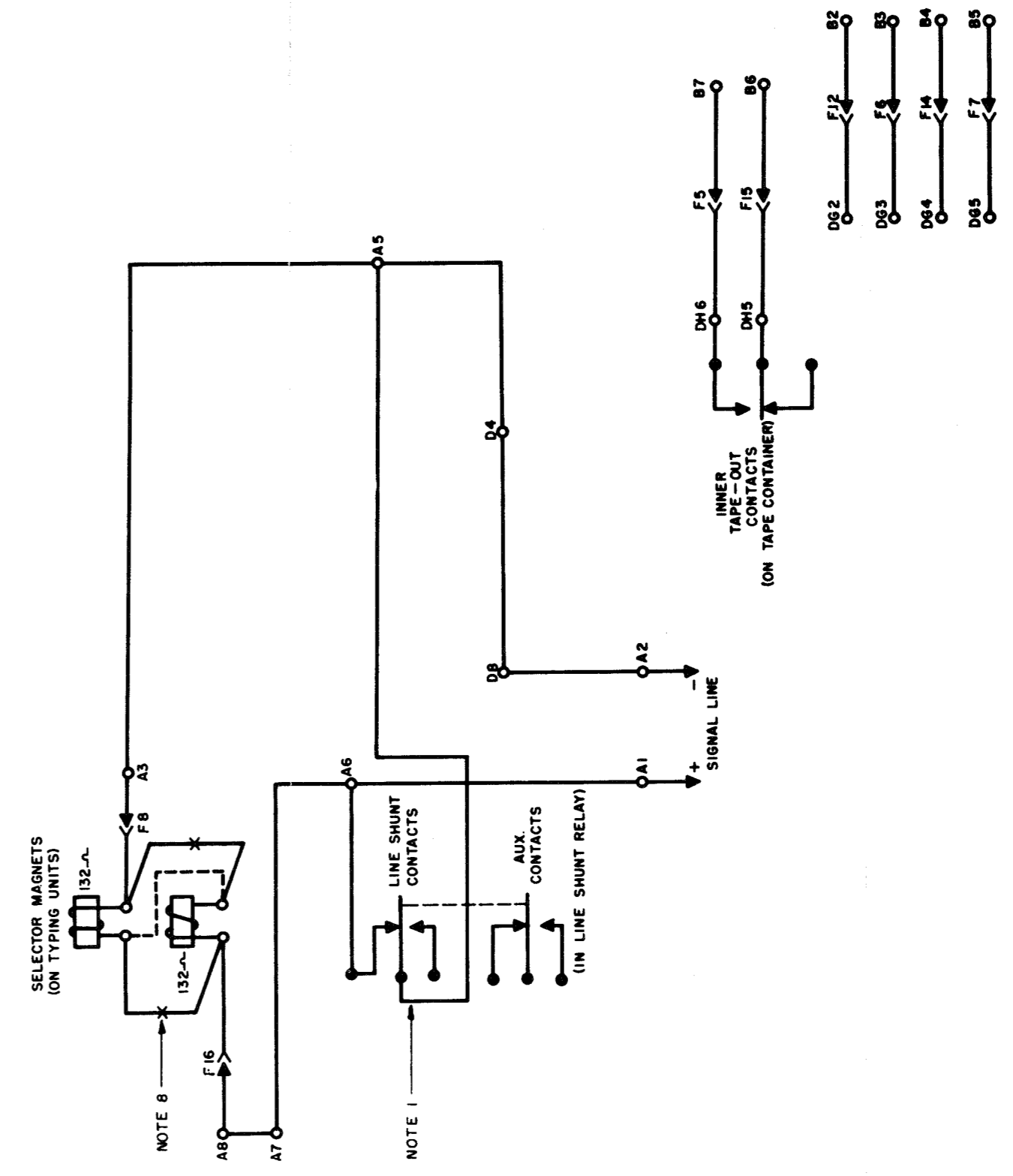
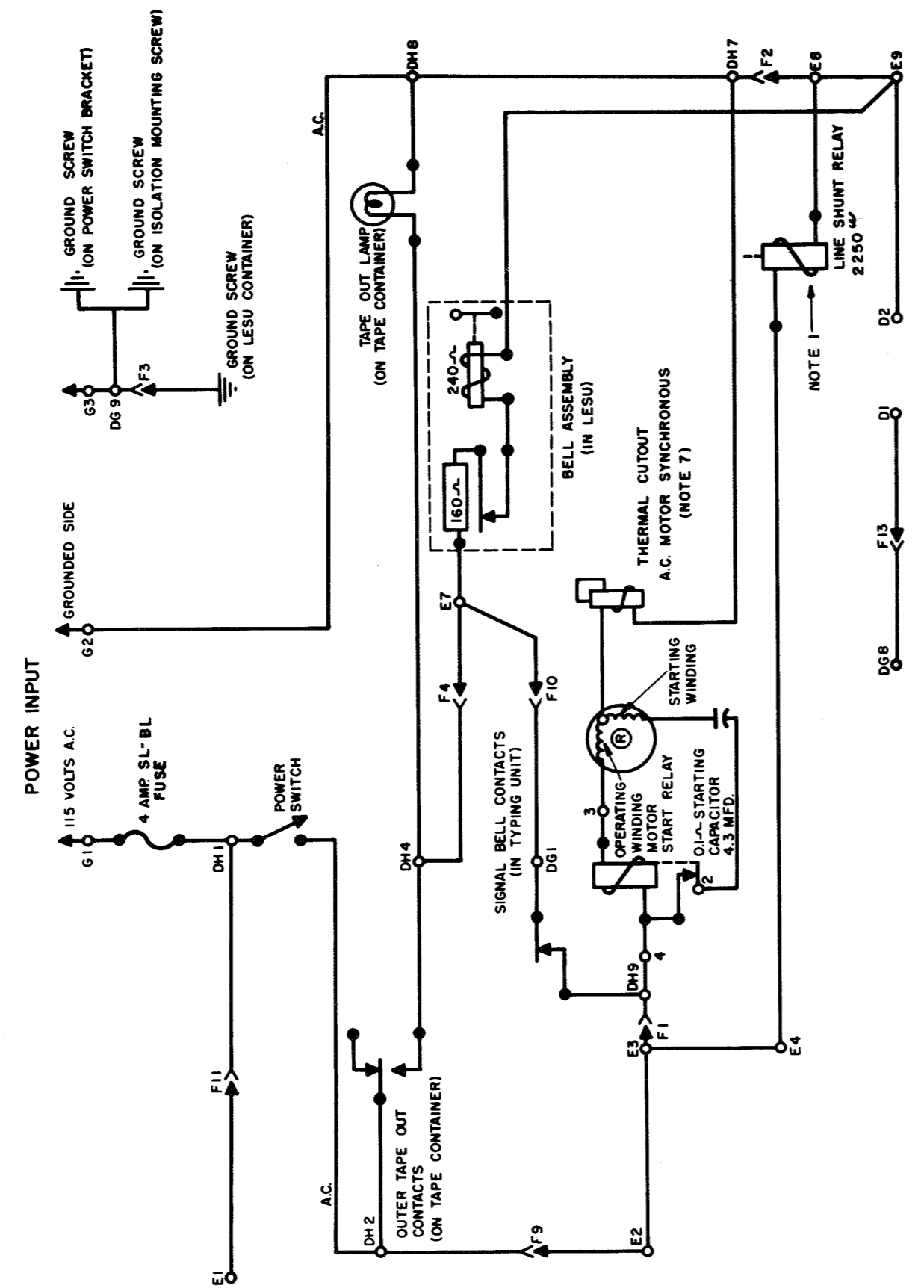


- NO. NOTES
- LINE SHUNT RELAY SHOWN CONTROLLED BY POWER SWITCH AND SHUNTING LINE RELAY COIL.
  - LEGEND:
    - G 3-POINT CONNECTOR (ON BASE)
    - DG TERMINAL BLOCK (ON BASE)
    - DH TERMINAL BLOCK (ON BASE)
    - △ F 16-POINT CONNECTOR
    - A TERMINAL BLOCK (IN LESU)
    - B TERMINAL BLOCK (IN LESU)
    - D TERMINAL BLOCK (IN LESU)
    - E TERMINAL BLOCK (IN LESU)
  - DOT-DASH (---) LINES INDICATE FILTERING, SHIELDING AND SUPPRESSION NETWORKS.
  - ALL APPARATUS IS SHOWN IN UNOPERATED OR DE-ENERGIZED POSITIONS.
  - (a) RESISTANCE VALUES IN OHMS (Ω)  
(b) INDUCTANCE VALUES IN MICROHENRIES (MH)  
(c) CAPACITANCE VALUES IN MICROFARADS (MFD)
  - CIRCUIT SHOWN FOR EXTERNAL SIGNAL LINE OPERATION.
  - USE SYNCHRONOUS MOTOR ON REGULATED 60~(±1%) A.C. POWER ONLY. GOVERNED MOTORS AND OTHER POWER CIRCUITS OPERABLE ON 50 TO 60~ UNREGULATED A.C.
  - CIRCUITS SHOWN FOR 0.060 AMP. NEUTRAL SIGNAL LINE OPERATION. FOR 0.020 AMP. LINE CURRENT, ADD DASH LINE (-----) CONNECTION AND OMIT CONNECTION MARKED (---)
  - FOR ACTUAL WIRING DIAGRAMS OF INDIVIDUAL UNITS SEE:
 

WD NUMBER	UNITS OPERABLE WITH LESU 27
3624 WD	ELECT. SERVICE UNIT - LESU 27.
2900 WD	MOTOR UNIT - LMU 3, 4, 6.
3319 WD	TYPING REPERF. BASE - LRB3, II

RTTY ELECTRONICS  
TELETYPE=Sales-Service-Parts  
PO Box 20101 El Sobrante, Ca.  
94820. (510)222-3102  
mr\_rtty@pacbell.net



3625 WD		
REVISIONS		
ISSUE	DATE	AUTH. NO.
1	12-16-58	K.F.L.
2	12-16-58	J.R.H.

SCHEMATIC  
WIRING DIAGRAM  
MODEL 28  
ELECTRICAL SERVICE  
UNIT LESU 27

APPROVALS	
D AND R	E OF M
<i>[Signature]</i>	<i>[Signature]</i>
E-NUMBER	
PROD. NO. 3625 WD	
DATE: 12-16-58	
P.D. FILE NO. G-165,59AA	
DRAWN: K.F.L.	CHKD: <i>[Signature]</i>
ENGD. J.R.H.	APPD. <i>[Signature]</i>

TELETYPE  
CORPORATION  
3625 WD