

REVISIONS

ISSUE	DATE	AUTH. NO.
#2	12-15-59	28-12196
#3	4-1-60	28-12965
#4	10-12-62	74 802
#5	12-28-62	75532
#6	8-8-64	76470-2
#7	8-31-66	88857-1
#8	3-3-67	88627-2

NOTES

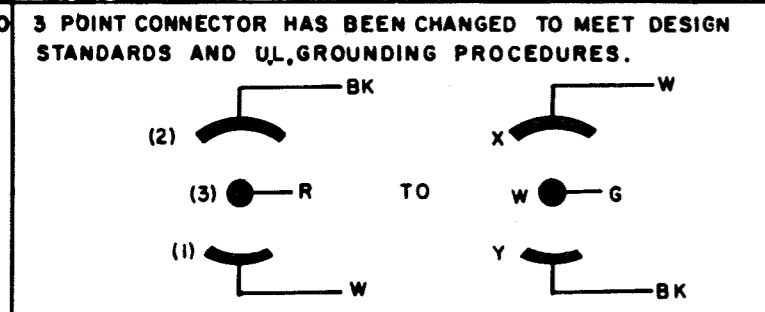
1. WIRING LEGEND
 DISTANT TERMINATING AREA
 DISTANT TERMINATING DESIGNATION
 WIRE COLOR CODE
 DB - I - W 00-A ← SEE NOTE 9

2. COLOR CODE
 BK - BLACK
 BR - BROWN
 R - RED
 O - ORANGE
 Y - YELLOW
 G - GREEN
 BL - BLUE
 S - SLATE
 W - WHITE
 P - PURPLE

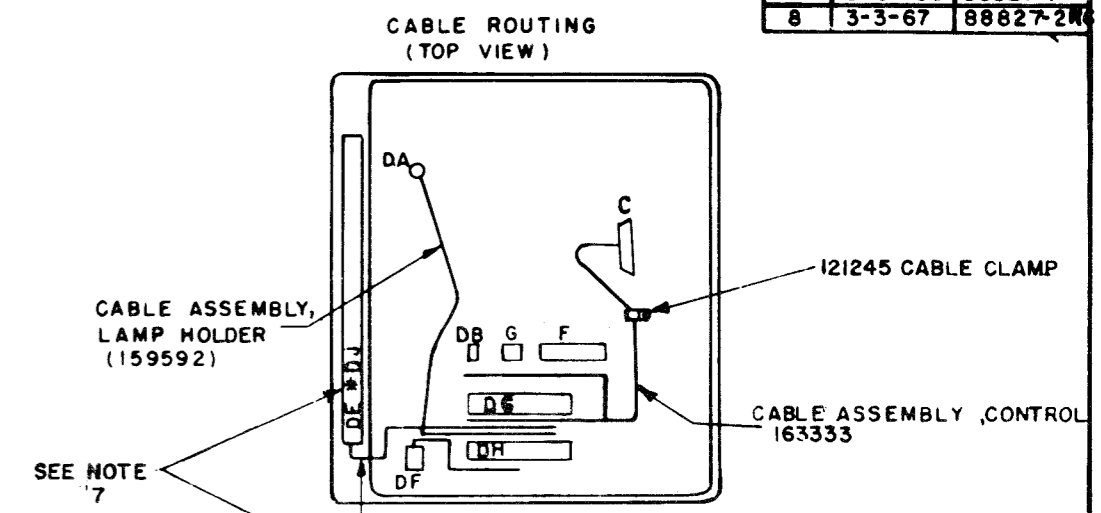
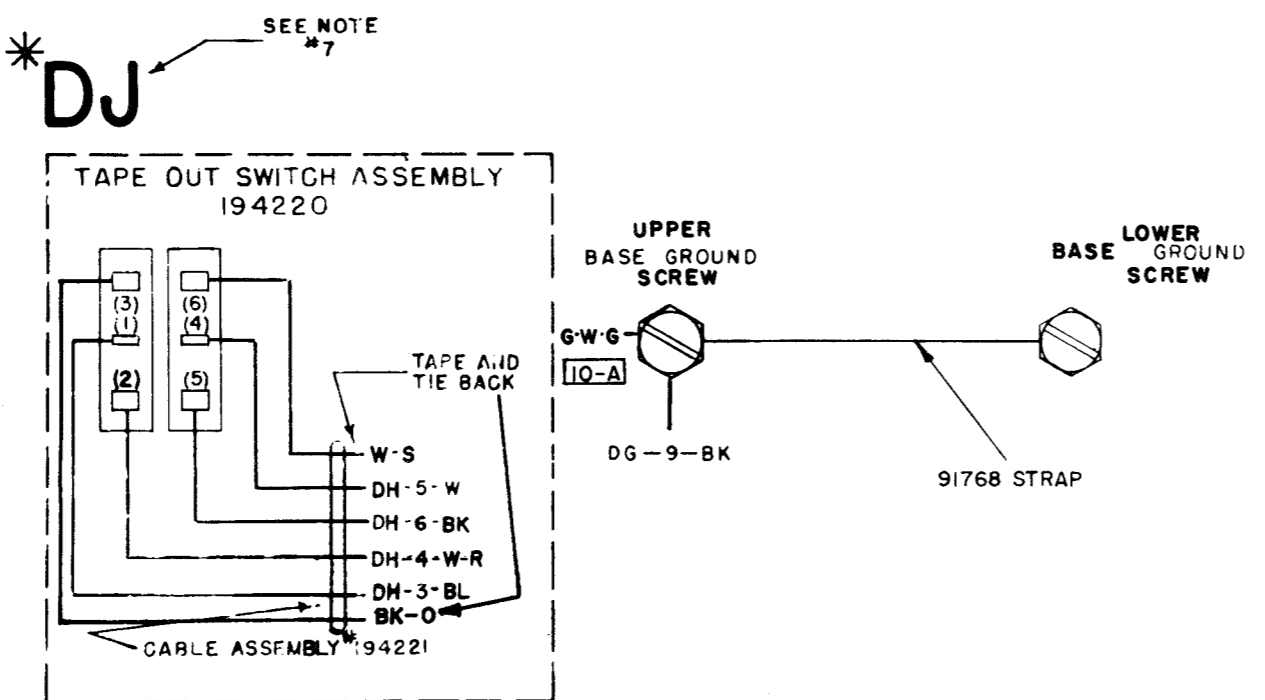
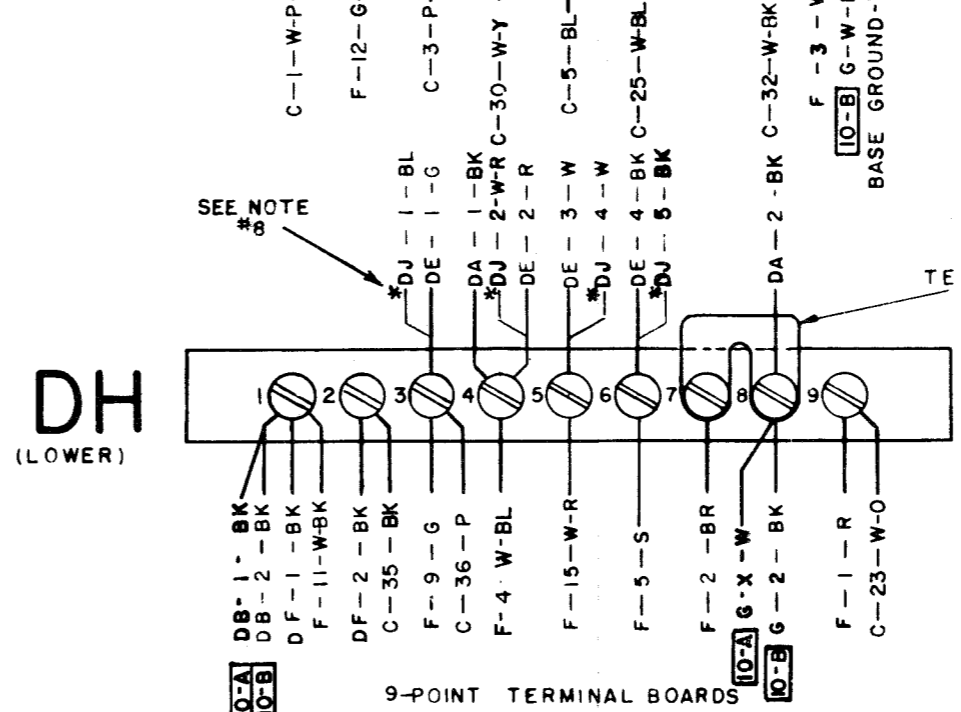
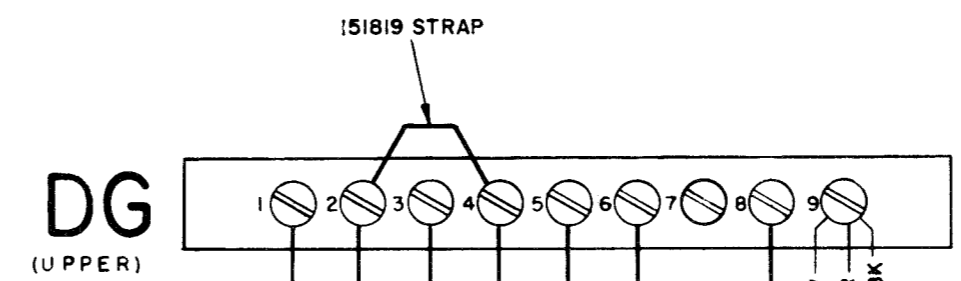
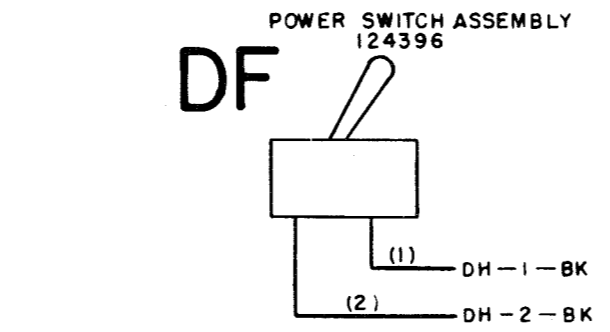
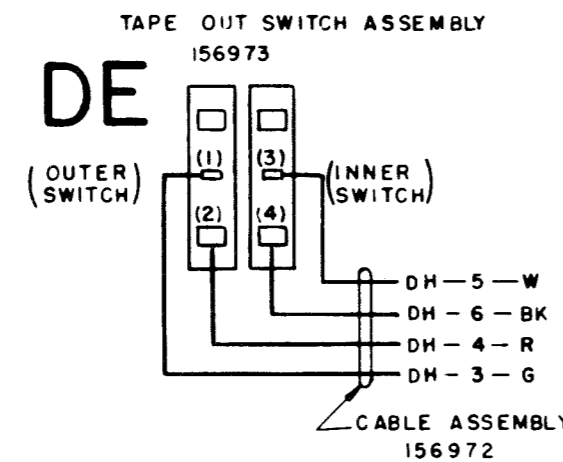
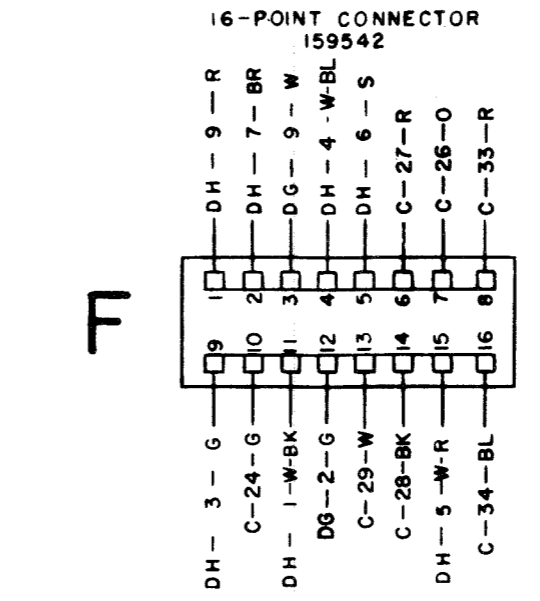
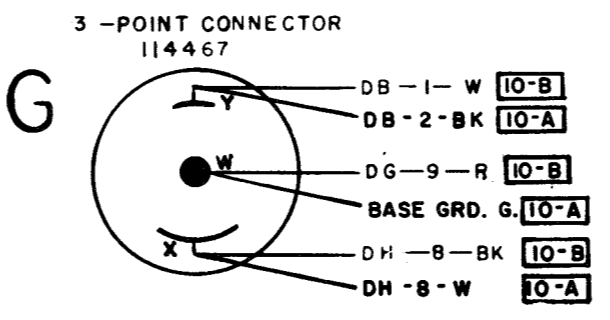
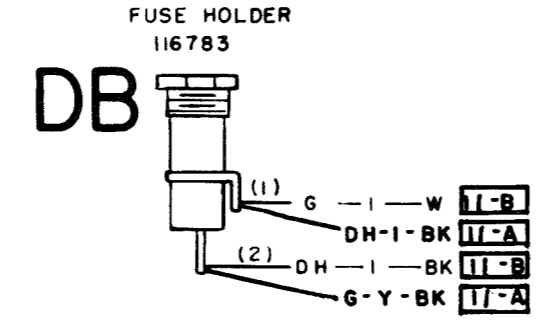
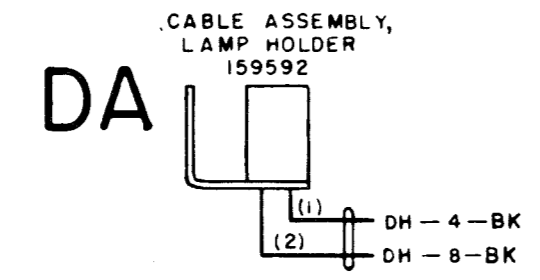
3. ASSOCIATED CABLE ASSEMBLIES
 CABLE ASSEMBLY, CONTROL - 163333
 CABLE ASSEMBLY - 156972
 CABLE ASSEMBLY, LAMP HOLDER - 159592

4. 16 AND 36 POINT CONNECTORS VIEWED FROM SOLDER END.
 5. TERMINAL DESIGNATIONS ENCLOSED IN PARENTHESIS ARE NOT MARKED ON COMPONENTS.
 6. FOR SCHEMATIC WIRING DIAGRAM SEE 3735WD
 7. *FOR USE WITH LRB 46 ONLY REPLACES (DE)
 8. AT DH SUBSTITUTE ASTERISK ITEMS ON LRB 46 ONLY.

9. WIRING STATUS:
 RECTANGULAR BOX INDICATES HISTORY OF WIRING CHANGES.
 00-B B - DENOTES WIRING BEFORE THE CHANGE DESCRIBED BY THE DESIGNATED NOTE ENTERED THE PRODUCT.
 NOTE NUMBER
 00-A A - DENOTES WIRING AFTER THE CHANGE DESCRIBED BY THE DESIGNATED NOTE ENTERED THE PRODUCT.



11. FUSE HOLDER HOOK-UP HAS BEEN CHANGED TO MEET DESIGN STANDARDS AND U.L. WIRING PROCEDURES.



RTTY ELECTRONICS
 TELETYPE=Sales-Service-Parts
 PO Box 20101 El Sobrante, Ca. 94820. (510)222-3102
 mr_rtty@pacbell.net

C 36 POINT CONNECTOR

DG-1-W-P	1	19
DG-3-P	2	20
DG-5-BL	3	21
	4	22
	5	23
	6	24
	7	25
	8	26
	9	27
	10	28
	11	29
	12	30
	13	31
	14	32
	15	33
	16	34
	17	35
	18	36

WIRING LEGEND FOR CONNECTOR C:

- 19: DH-9-W-O
- 20: F-10-G
- 21: DG-6-W-BL
- 22: F-7-O
- 23: F-6-R
- 24: F-14-BK
- 25: F-13-W
- 26: DG-4-W-Y
- 27: DG-8-W-BK
- 28: F-8-R
- 29: F-16-BL
- 30: DH-2-BK
- 31: DH-3-P

LRB21=28D
 ACTUAL WIRING DIAGRAM
 MODEL 28 REPERFORATOR
 BASE LRB213046

APPROVALS
 D AND E OF M
 E-NUMBER
 PROD. NO. 3736WD
 DATE: 5-28-59
 P.D. FILE NO 4-49.65.AA
 DRAWN: WPH CHKD: SPK
 ENGD. JAC APPD: [Signature]

TELETYPE CORPORATION
 3736WD