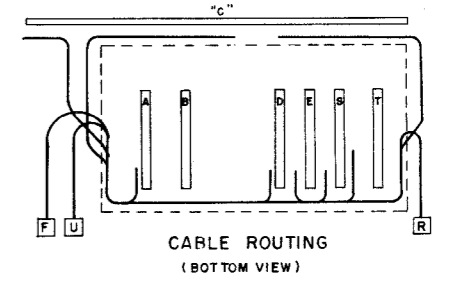
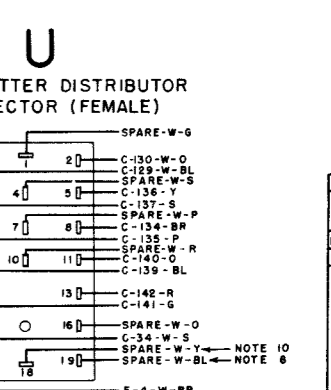
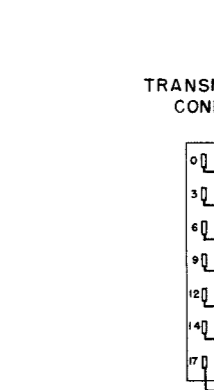
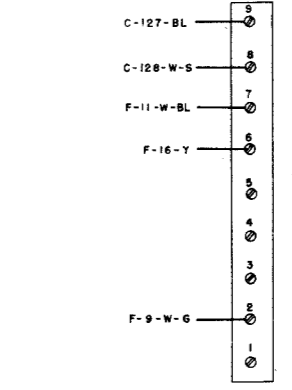
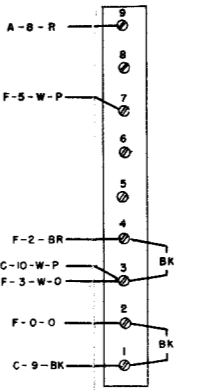
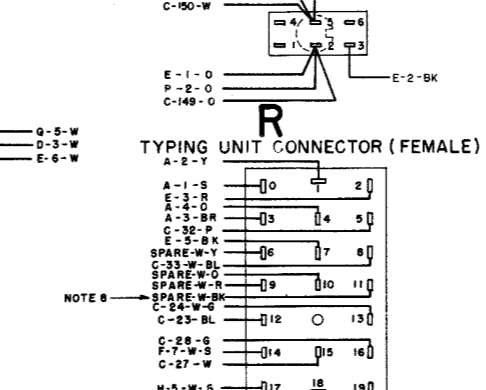
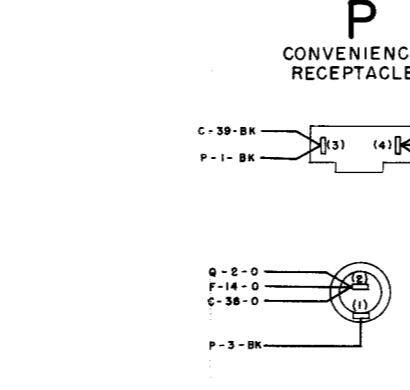
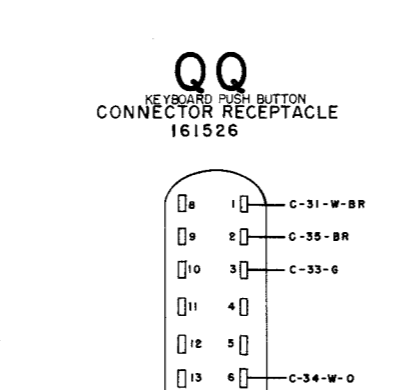
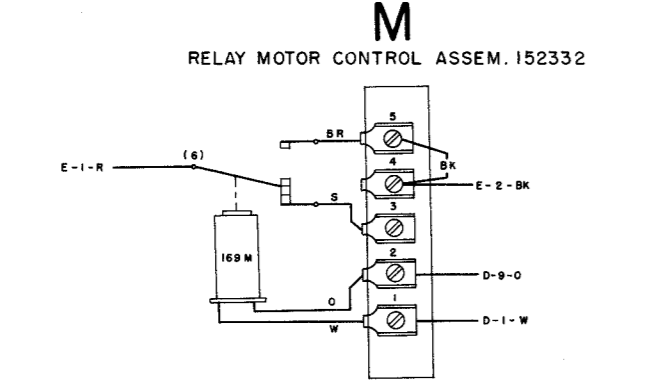
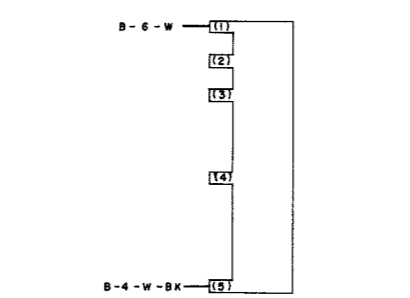
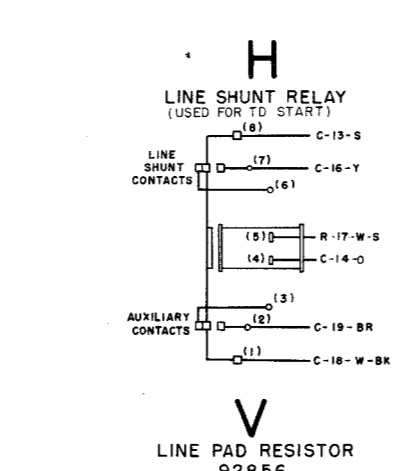
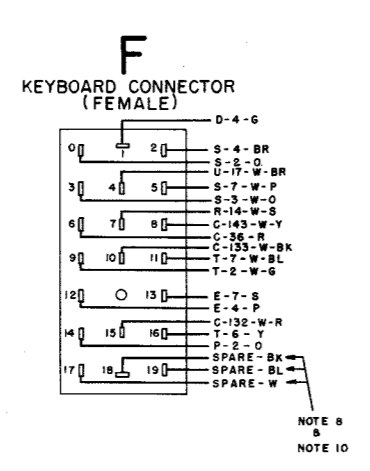
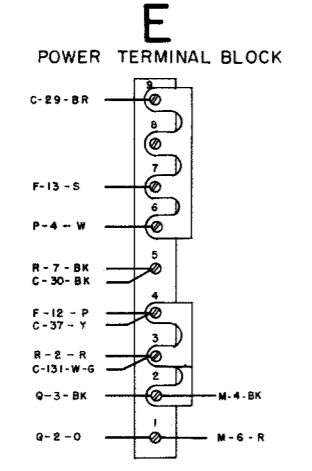
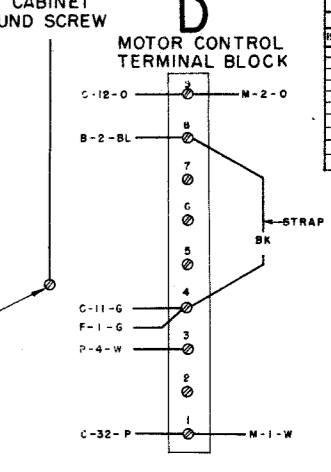
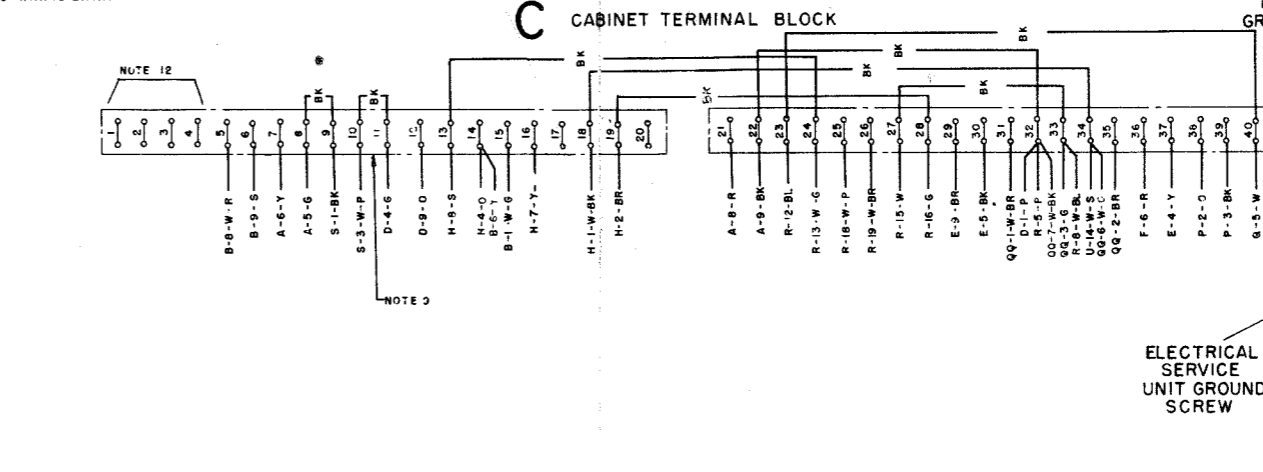
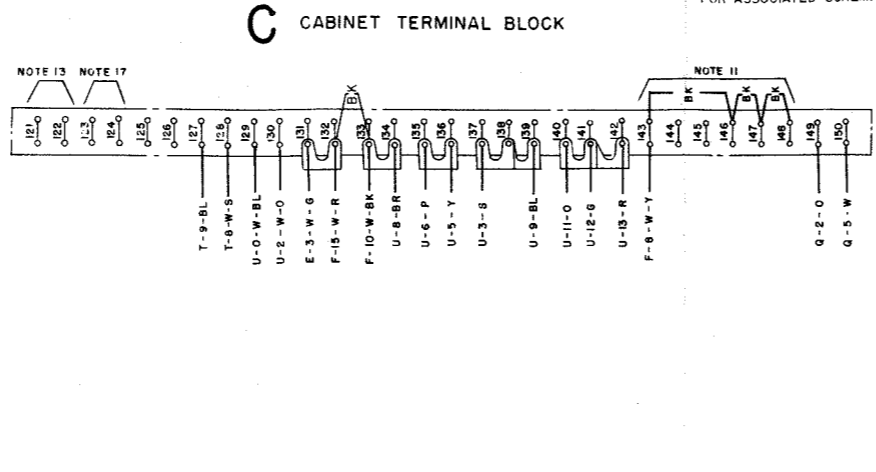
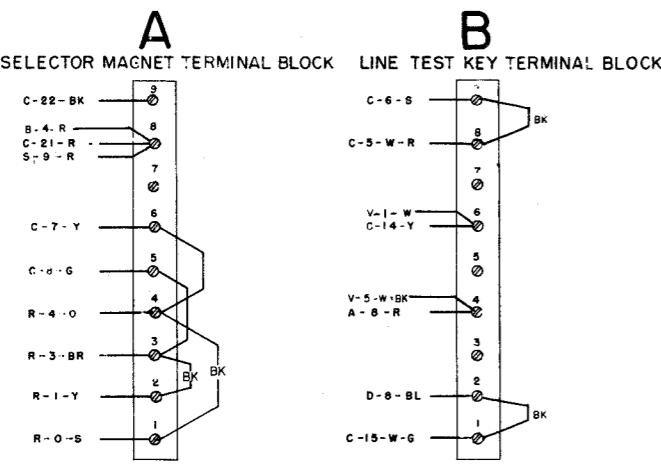


- NO. NOTES
- WIRING LEGEND:  
DISTANT TERMINATING AREA  
DISTANT TERMINAL DESIGNATION  
WIRE COLOR CODE
  - COLOR CODE  
BK - BLACK  
BR - BROWN  
R - RED  
O - ORANGE  
Y - YELLOW  
G - GREEN  
BL - BLUE  
P - PURPLE  
S - SLATE  
W - WHITE  
W-BK - WHITE - BLACK  
W-BR - WHITE - BROWN  
W-R - WHITE - RED  
W-O - WHITE - ORANGE  
W-Y - WHITE - YELLOW  
W-G - WHITE - GREEN  
W-BL - WHITE - BLUE  
W-P - WHITE - PURPLE  
W-S - WHITE - SLATE
  - INPUT WIRED FOR 115 VOLTS 50 TO 60 CYCLE A.C. POWER INPUT ONLY.
  - CONNECTORS VIEWED FROM SOLDERED TERMINAL ENDS.
  - 
  - 
  - 
  - 
  - THE SPARE LEADS FROM THE KEYBOARD AND TRANSMITTER DISTRIBUTOR UNITS CONNECTOR PLUGS ARE TERMINATED IN THE RIGHT END OF THE ELECTRICAL SERVICE UNIT. THE SPARE LEADS FROM THE TYPING UNIT PLUGS ARE TERMINATED IN THE LEFT END OF THE ELECTRICAL SERVICE UNIT.
  - REMOVE STRAP BETWEEN C-10 AND C-11 IF SIGNAL LINE BREAK SWITCH IS USED.
  - SPARE LEADS FROM F-18 AND U-18 ARE RESERVED FOR POLAR OPERATION OF KEYBOARD AND TRANSMITTER DISTRIBUTOR SIGNAL GENERATORS.
  - TERMINALS C-143-C-148 RESERVED FOR CABINET LAMP OPERATION.
  - TERMINALS C-1-C-4 USED FOR TELEPHONE CONNECTIONS
  - TERMINALS C-121-C-122 RESERVED FOR PERFORATOR LO - TAPE SWITCH.
  - CONTACTS SHOWN IN UNOPERATED OR DEENERGIZED POSITION.
  - 
  - 
  - TERMINALS C-123 AND C-124 RESERVED FOR REPERFORATOR SELECTOR MAGNETS.



3758WD		
REVISIONS		
ISSUE	DATE	AUTH. NO.
A	12-15-53	281333
B	1-15-54	281334
C	12-15-54	281335
D	3-28-55	281336
E	3-28-55	281337

RTTY ELECTRONICS  
TELETYPE=Sales-Service-Parts  
PO Box 20101 El Sobrante, Ca.  
94820. (510)222-3102  
mr\_rtty@pacbell.net

APPROVALS	
D AND E OF M	
E-NUMBER	
PROD. NO.	
ACTUAL WIRING DIAGRAM MODEL 28 ASR ELECTRICAL SERVICE UNIT LESU44	
DATE:	
P.D. FILE NO. 29-A166A	
DRAWN: CHD	
ENGD: JAL	
APPR: JAL	
TELETYPE CORPORATION	
3758WD	