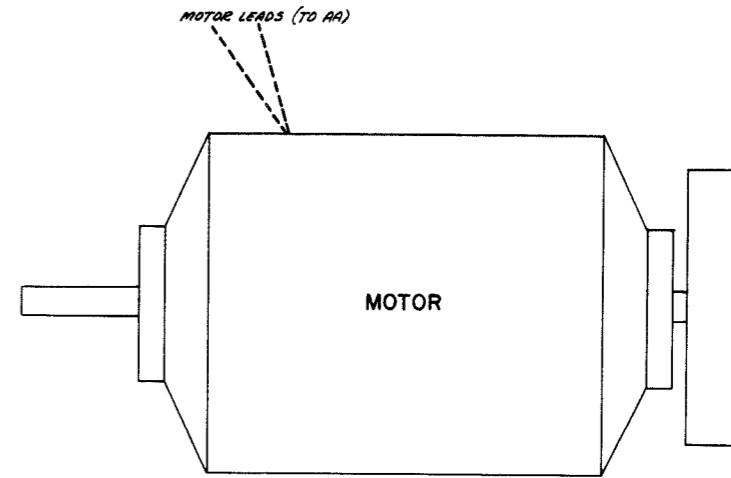
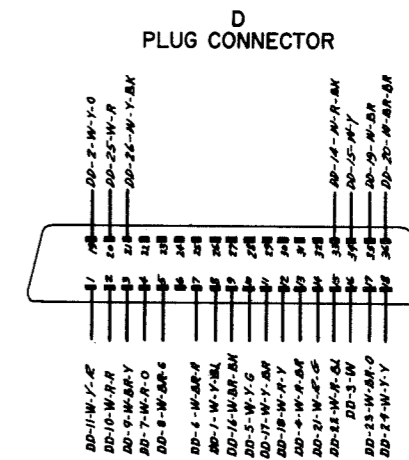
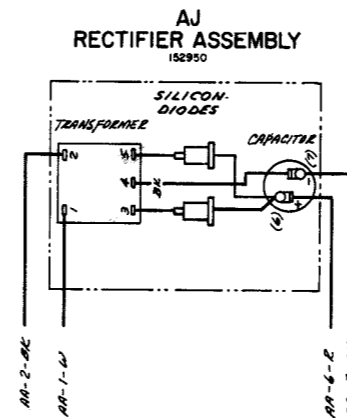
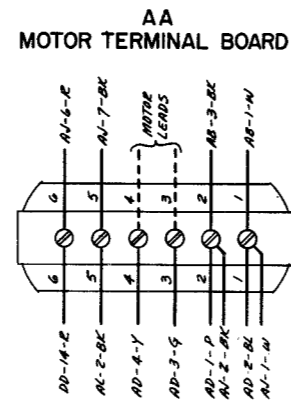
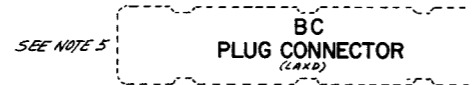
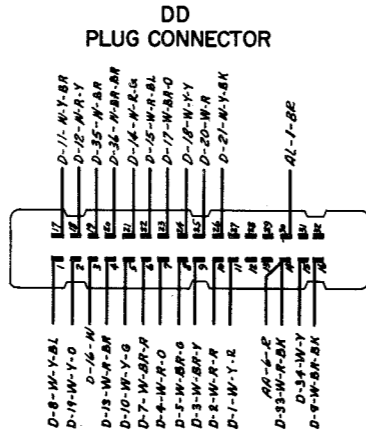
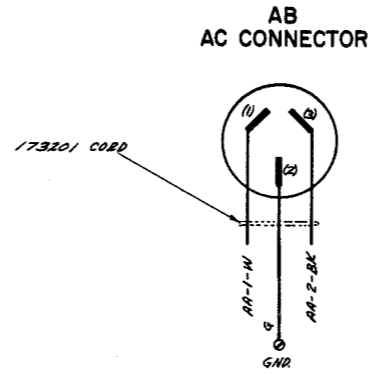
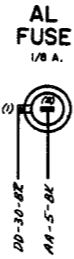
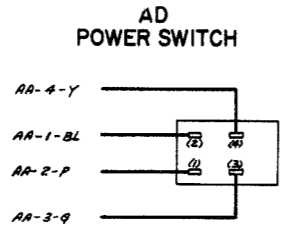


NOTES

1. WIRING LEGEND:
 - DISTANT TERMINATING AREA
 - DISTANT TERMINAL DESIGNATION
 - WIRE COLOR CODE
2. COLOR CODE:

BK	BLACK	W-BL	WHITE-BLACK
BL	BLUE	W-BL	WHITE-BLUE
BR	BROWN	W-G	WHITE-GREEN
G	GREEN	W-O	WHITE-ORANGE
O	ORANGE	W-P	WHITE-PURPLE
P	PURPLE	W-S	WHITE-SLATE
R	RED	W-Y	WHITE-YELLOW
S	SLATE	W-BL	WHITE-ORANGE-BLUE
W	WHITE	W-G	WHITE-ORANGE-GREEN
Y	YELLOW		
3. CONNECTORS VIEWED FROM SOLDER TERMINAL END.
4. TERMINAL DESIGNATIONS ENCLOSED IN PARENTHESES ARE NOT MARKED ON COMPONENTS.
5. THIS CONNECTOR IS PART OF LXXD AND IS ONLY INSTALLED WHEN LXXD IS PUT ON BASE.



4138 WD

REV#	DATE	AUTH. NO.
A	5-23-60	1324
B	11-2-60	1324
C	6-8-61	1324

RTTY ELECTRONICS
TELETYPE=Sales-Service-Parts
PO Box 20101 El Sobrante, Ca.
94820. (510)222-3102
mr_rtty@pacbell.net

ACTUAL WIRING DIAGRAM
MODEL 28
SUPERFANTOM
TRANSMITTER BASE
LXXB 14

APPROVALS
D AND A
O.A.L.
S-NO.

FIG. NO. 4138 WD
DATE: 2-23-60
FILE: 3-A-152950
DRAWN: W.P. CHAS. 10/60
CHECKED: R.L.P. 11/2/60

TELETYPE CORPORATION
4138 WD