

REVISIONS

ISSUE	DATE	AUTH. NO.
16	8-18-65	87498
17	9-10-65	88127
18	1-3-66	89842

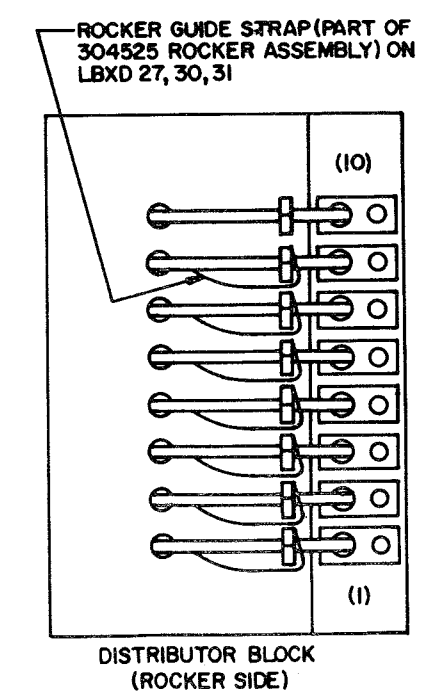
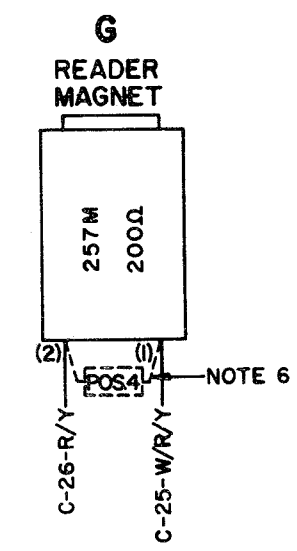
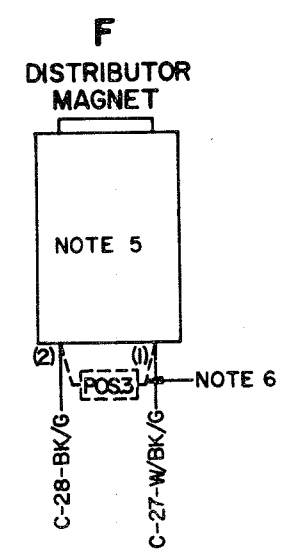
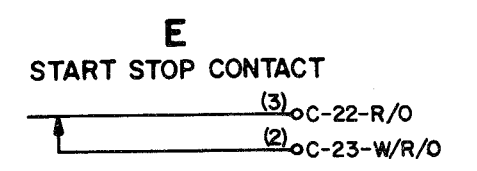
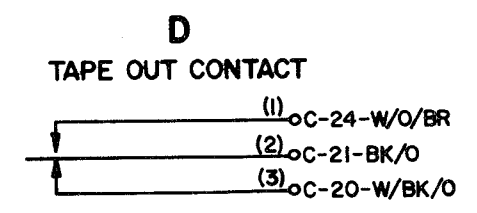
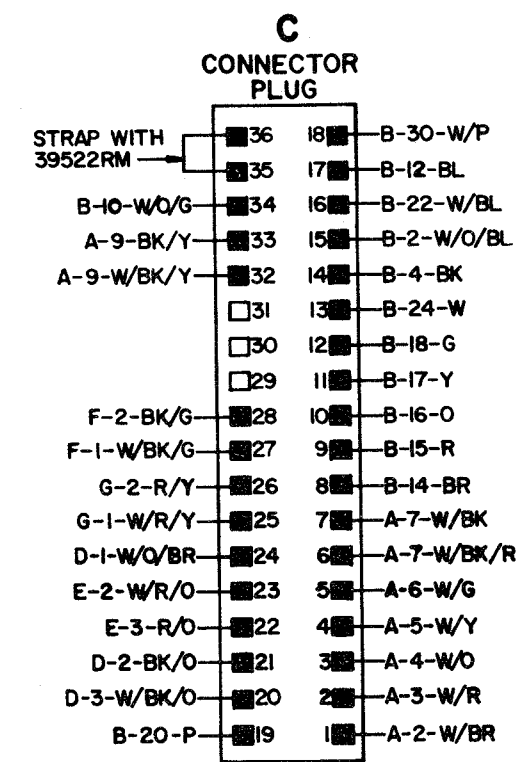
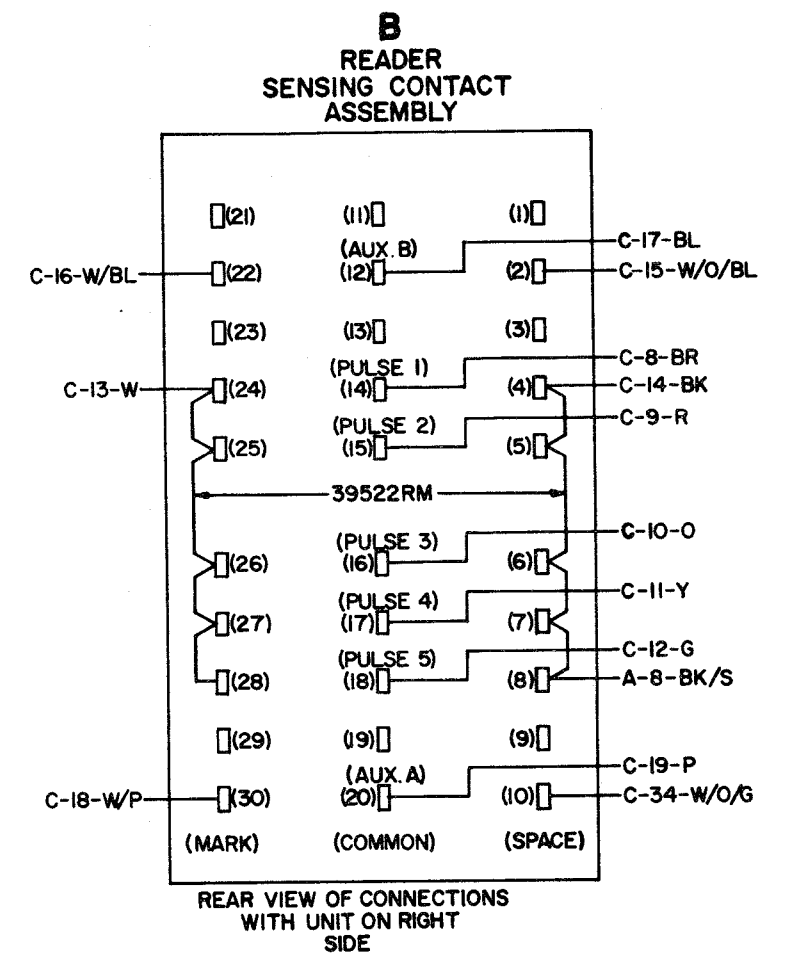
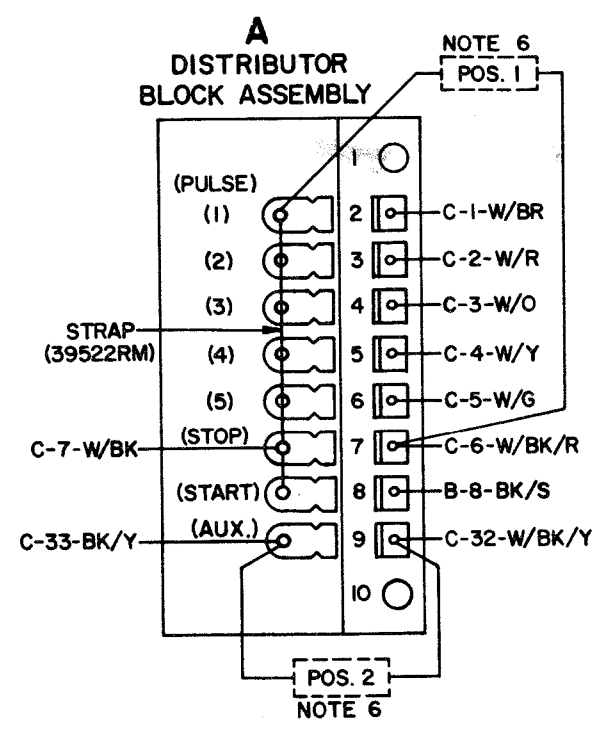
NOTES

- WIRING LEGEND:**  
 DISTANT TERMINAL AREA  
 DISTANT TERMINAL DESIGNATION  
 WIRE COLOR  
 A-1-W-BK
- COLOR CODE:**

BK-BLACK	P-PURPLE
BL-BLUE	R-RED
BR-BROWN	S-SLATE
G-GREEN	W-WHITE
O-ORANGE	Y-YELLOW
- SCHEMATIC DIAGRAM - 7078WD**
- CONNECTOR VIEWED FROM SOLDER TERMINAL END.**
- DISTRIBUTOR MAGNET USED:**

LBXD	257M	263M
9	✓	
16		✓
17	✓	
18	✓	
21	✓	
27		✓
30	✓	
31	✓	
- SPARK SUPPRESSOR USED:**

LBXD	153631		165027	
	POS. 1	POS. 2	POS. 3	POS. 4
9	✓		✓	
16	✓		✓	
17	✓		✓	✓
18	✓		✓	
21	✓		✓	
27			✓	
30	✓		✓	
31			✓	



RTTY ELECTRONICS  
 TELETYPE Service-Parts  
 PO Box 20101 El Sobrante, Ca.  
 94820. (510) 212-3102  
 mr\_rtty@pacbell.net

WIRING DIAGRAM FOR MODEL 28 TRANSMITTER-DISTRIBUTORS

LBXD 9  
 LBXD 16  
 LBXD 17  
 LBXD 18  
 LBXD 21  
 LBXD 27  
 LBXD 30  
 LBXD 31

APPROVALS

D AND R E OF M

E NUMBER

PROD. NO. 4198WD

DATE: 12-3-65

P.D. FILE NO. 1-161/65AA

DRAWN H.J. CHKD. [Signature]

ENGD. P.R.R. APPD.

TELETYPE CORPORATION

4198 WD