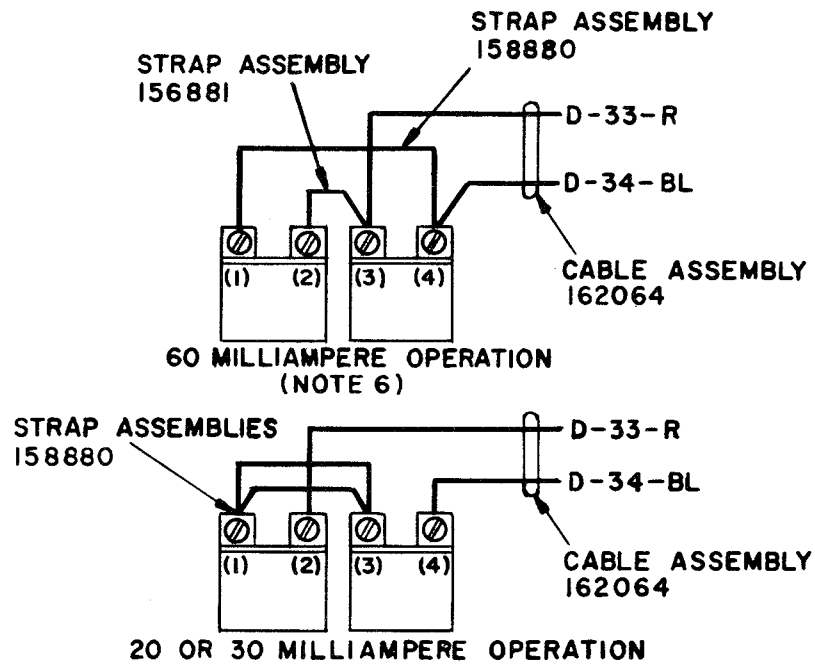


ISSUE	DATE	AUTH. NO.
A	8-30-63	77881
B	11-12-63	79096

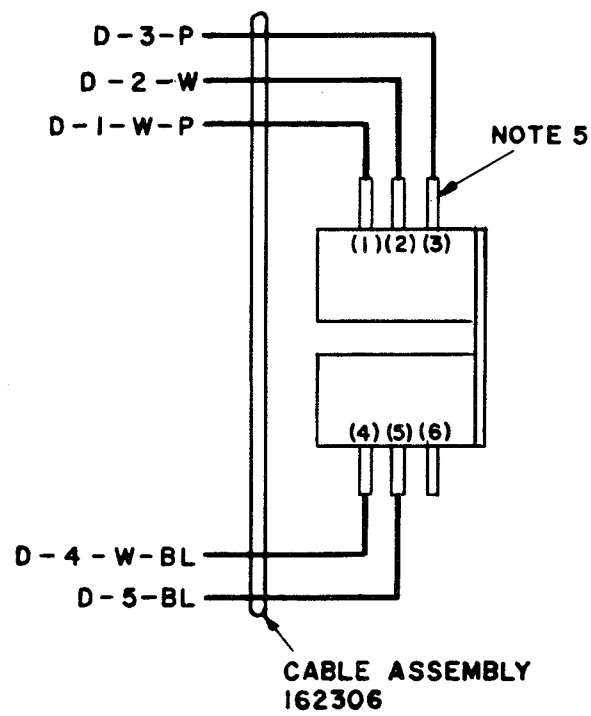
- NO. NOTES
- COLOR CODE:
BK BLACK G GREEN BR BROWN
BL BLUE R RED P PURPLE
O ORANGE S SLATE Y YELLOW
W WHITE
 - WIRING LEGEND:
DISTANT TERMINAL AREA
DIST. TERM. DESIGNATION
WIRE COLOR CODE
F-4-W-BL
 - TERMINALS DESIGNATED IN PARENTHESIS ARE NOT MARKED ON COMPONENTS.
 - TERMINALS ON CONNECTOR SHOWN AS VIEWED FROM SOLDER END.
 - WHEN THE REPERFORATOR IS IN THE STOP (IDLE) POSITION:
THE CONTACTS NEAREST THE MOUNTING BRACKET OF THE AUXILIARY CONTACTS ARE CLOSED.
 - UNITS AS SHIPPED FROM FACTORY ARE WIRED FOR 60 MA. OPERATION.
 - FEED OUT MAGNET AND CABLE ASSEMBLY IS PART OF 173443 MODIFICATION KIT.
VERIFIER CONTACT BLOCK AND CABLE ASSEMBLY IS PART OF 197969 MODIFICATION KIT.

RTTY ELECTRONICS
TELETYPE=Sales-Service-Parts
PO Box 20101 El Sobrante, Ca.
94820. (510)222-3102
mr_rtty@pacbell.net

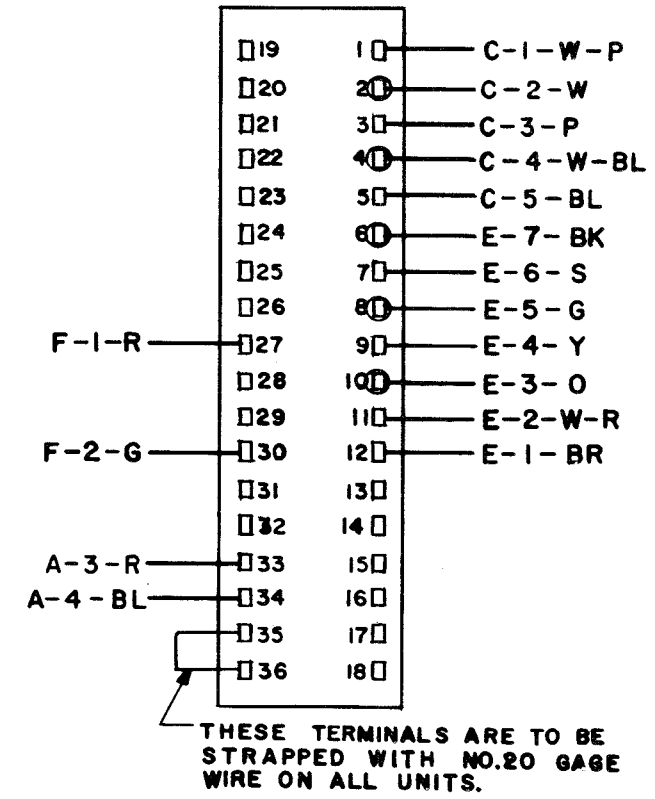
A
SELECTOR MAGNETS



C
AUXILIARY CONTACTS

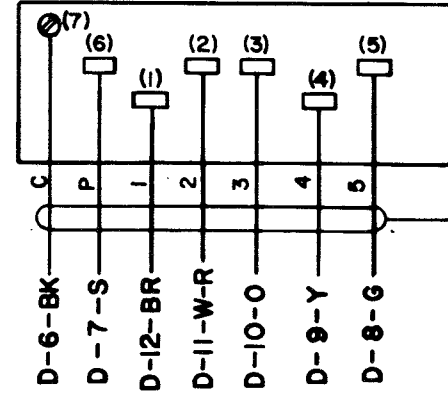


D
36-POINT CONNECTOR

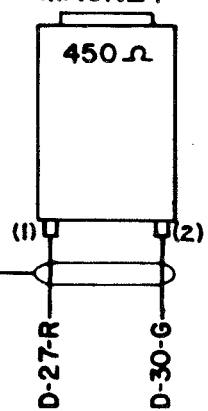


ON LRPE 15 ONLY

E
VERIFIER CONTACT BLOCK



F
FEED OUT MAGNET



LRPE 11 & 15
ACTUAL WIRING
DIAGRAM FOR MODEL
28 NON TYPING
REPERFORATOR
LRPE11 = 28G

APPROVALS

D AND R	E OF M
<i>[Signature]</i>	<i>[Signature]</i>
E-NUMBER	
PROD. NO. 4285 W.D.	
DATE: 6-18-60	
P.D. FILE NO. 3-162-31	
DRAWN A.D.	CHKD <i>[Signature]</i>
ENGD R.L.F.	APPD <i>[Signature]</i>
TELETYPE CORPORATION	
3 4285 WD	