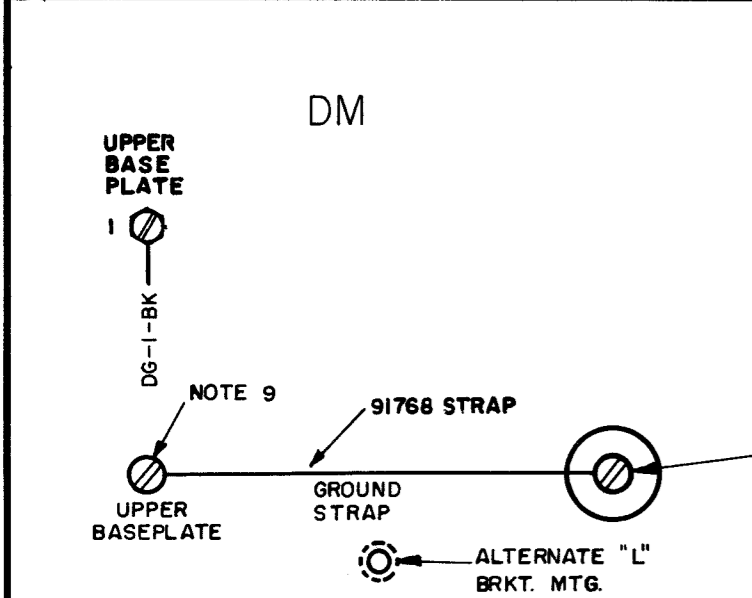
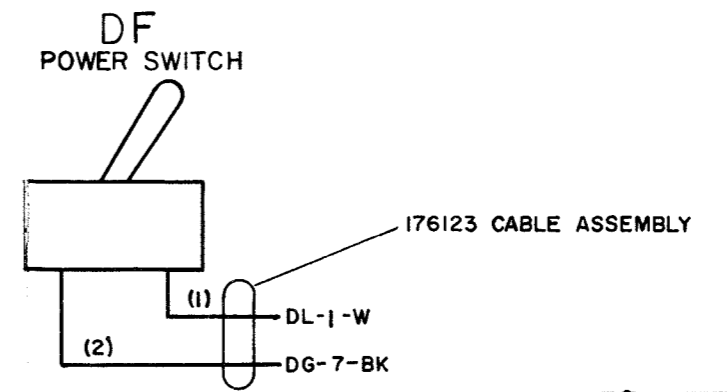
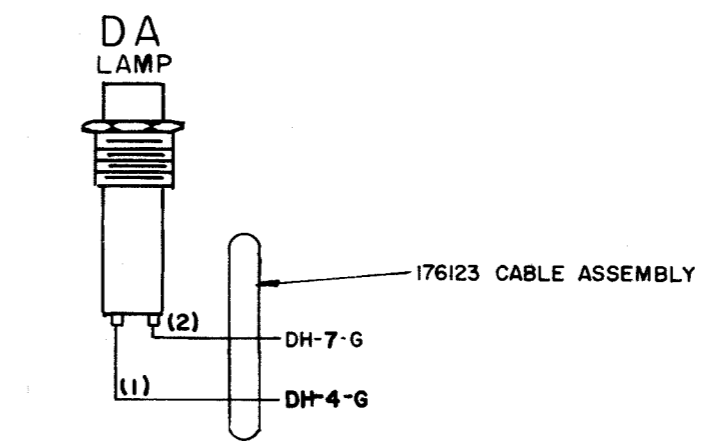
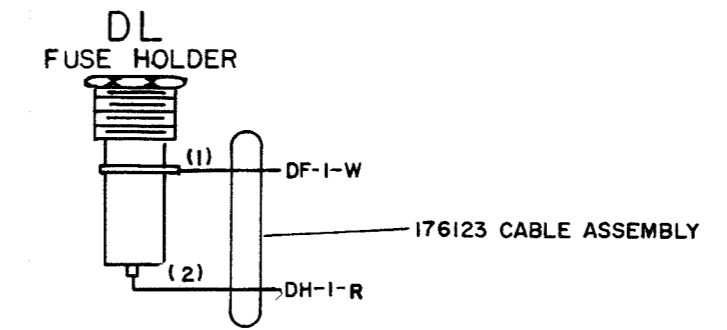
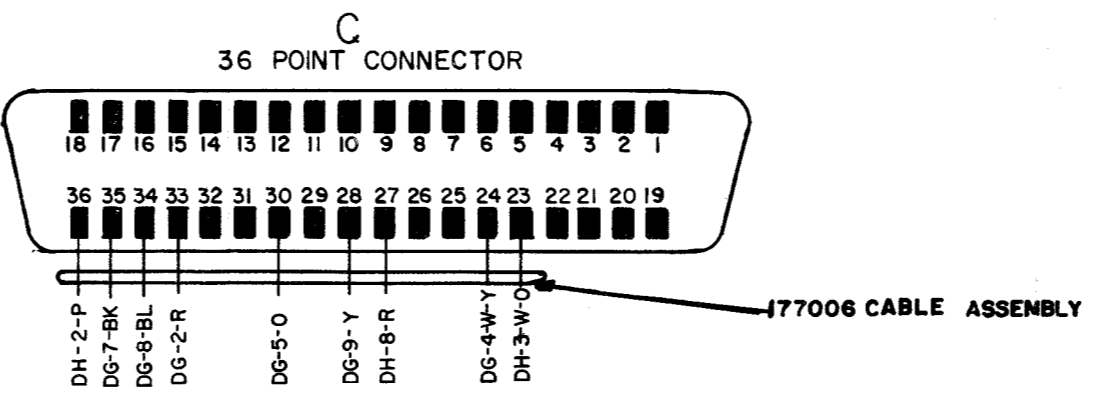
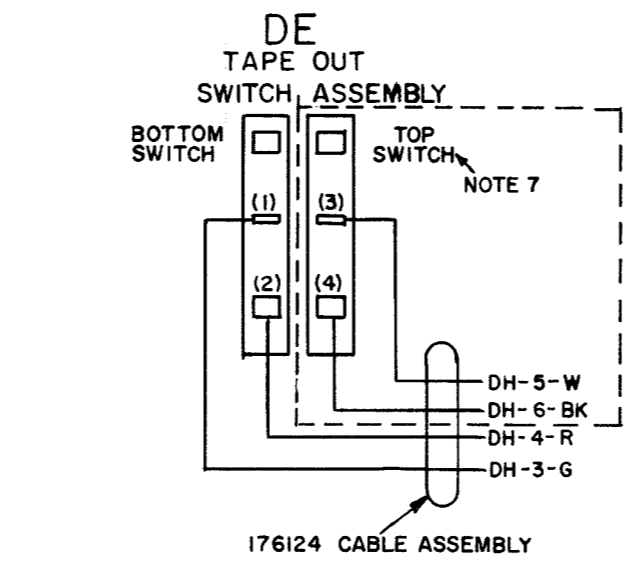
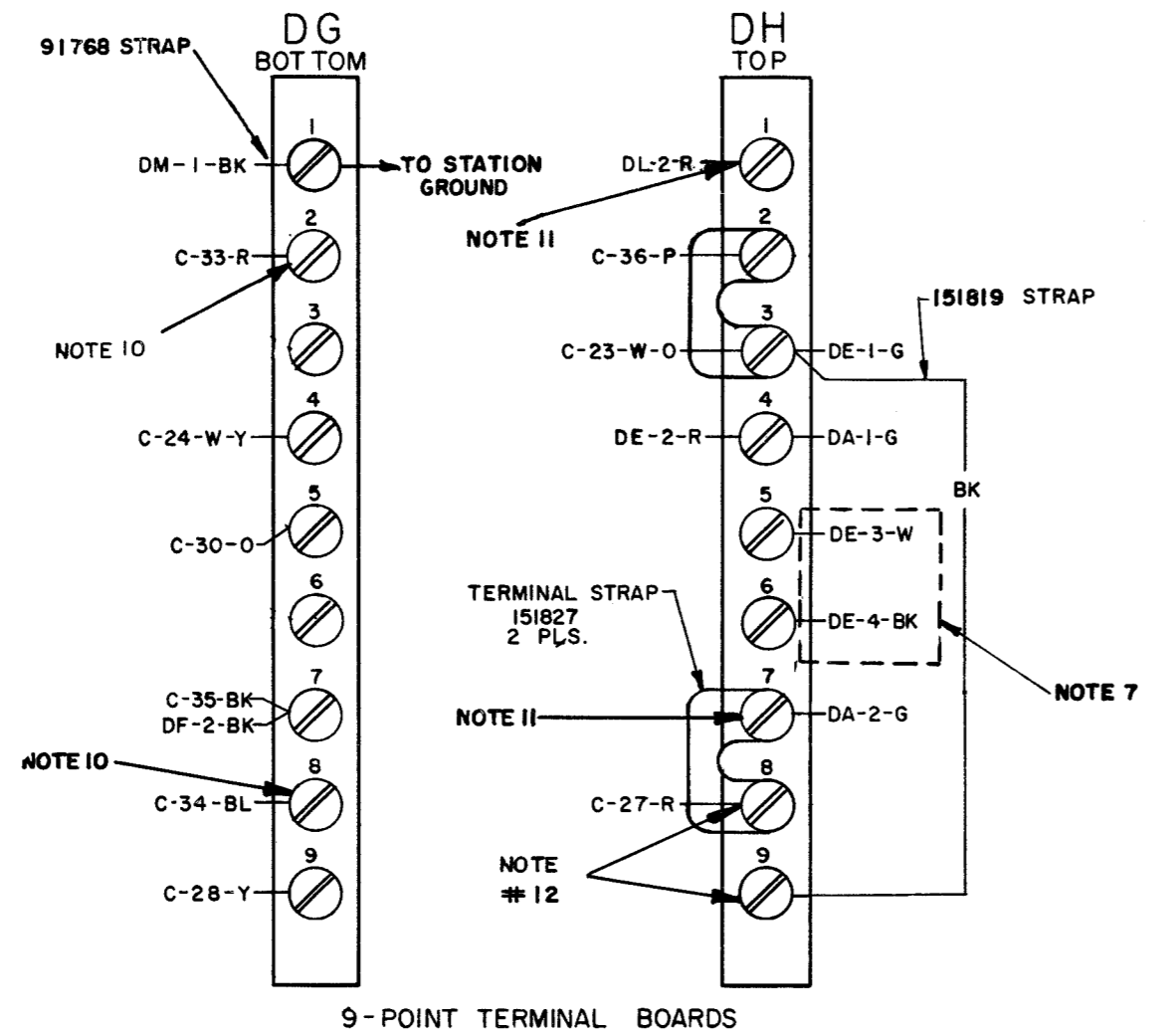


NOTES																					
1. WIRING LEGEND	<p>DISTANT TERMINATING AREA DISTANT TERMINATING DESIGNATION WIRE COLOR CODE</p>																				
2. COLOR CODE	<table border="0"> <tr><td>BK</td><td>BLACK</td></tr> <tr><td>BR</td><td>BROWN</td></tr> <tr><td>R</td><td>RED</td></tr> <tr><td>O</td><td>ORANGE</td></tr> <tr><td>Y</td><td>YELLOW</td></tr> <tr><td>G</td><td>GREEN</td></tr> <tr><td>BL</td><td>BLUE</td></tr> <tr><td>S</td><td>SLATE</td></tr> <tr><td>W</td><td>WHITE</td></tr> <tr><td>P</td><td>PURPLE</td></tr> </table>	BK	BLACK	BR	BROWN	R	RED	O	ORANGE	Y	YELLOW	G	GREEN	BL	BLUE	S	SLATE	W	WHITE	P	PURPLE
BK	BLACK																				
BR	BROWN																				
R	RED																				
O	ORANGE																				
Y	YELLOW																				
G	GREEN																				
BL	BLUE																				
S	SLATE																				
W	WHITE																				
P	PURPLE																				
3. ASSOCIATED CABLE ASSEMBLIES	CABLE ASSEMBLY, CONTROL - 177006 CABLE ASSEMBLY, TAPE OUT - 176124 CABLE ASSEMBLY, CONTROL PANEL - 176123																				
4.	36 POINT CONNECTOR VIEWED FROM SOLDER END.																				
5.	TERMINAL DESIGNATIONS ENCLOSED IN PARENTHESIS ARE NOT MARKED ON COMPONENTS.																				
6.	FOR SCHEMATIC WIRING DIAGRAM SEE 4353WD																				
7.	TO BE USED WHEN LOW TAPE ALARM IS REQUIRED. OTHERWISE WIRES ARE LACED BACK. AND SWITCH IS NOT FURNISHED.																				



9. POSITION TO BE CHANGED IF ALTERNATE "LPR" "L"-BRKT. IS USED.
10. SIGNAL INPUT DG2(+), DG 8(-)
11. A.C. POWER INPUT DH7 GROUND SIDE
12. MOTOR LEADS

RTTY ELECTRONICS
 TELETYPE=Sales-Service-Parts
 PO Box 20101 El Sobrante, Ca.
 94820. (510)222-3102
 mr_rtty@pacbell.net



4354WD		
REVISIONS		
ISSUE	DATE	AUTH. NO.
A	4-4-62	73011
B	8-16-62	74263
C	11-13-62	75098

APPROVALS	
D AND R	E OF M
E-NUMBER	
PROD. NO. 4354WD	

ACTUAL
 WIRING DIAGRAM
 MODEL 28
 REPERFORATOR
 BASE LRB31

DATE	10-26-60
P.D. FILE NO.	1-49.65.AA
DRAWN NKG	CHKD.
ENGR.	APPD.
TELETYPE CORPORATION	
4354WD	