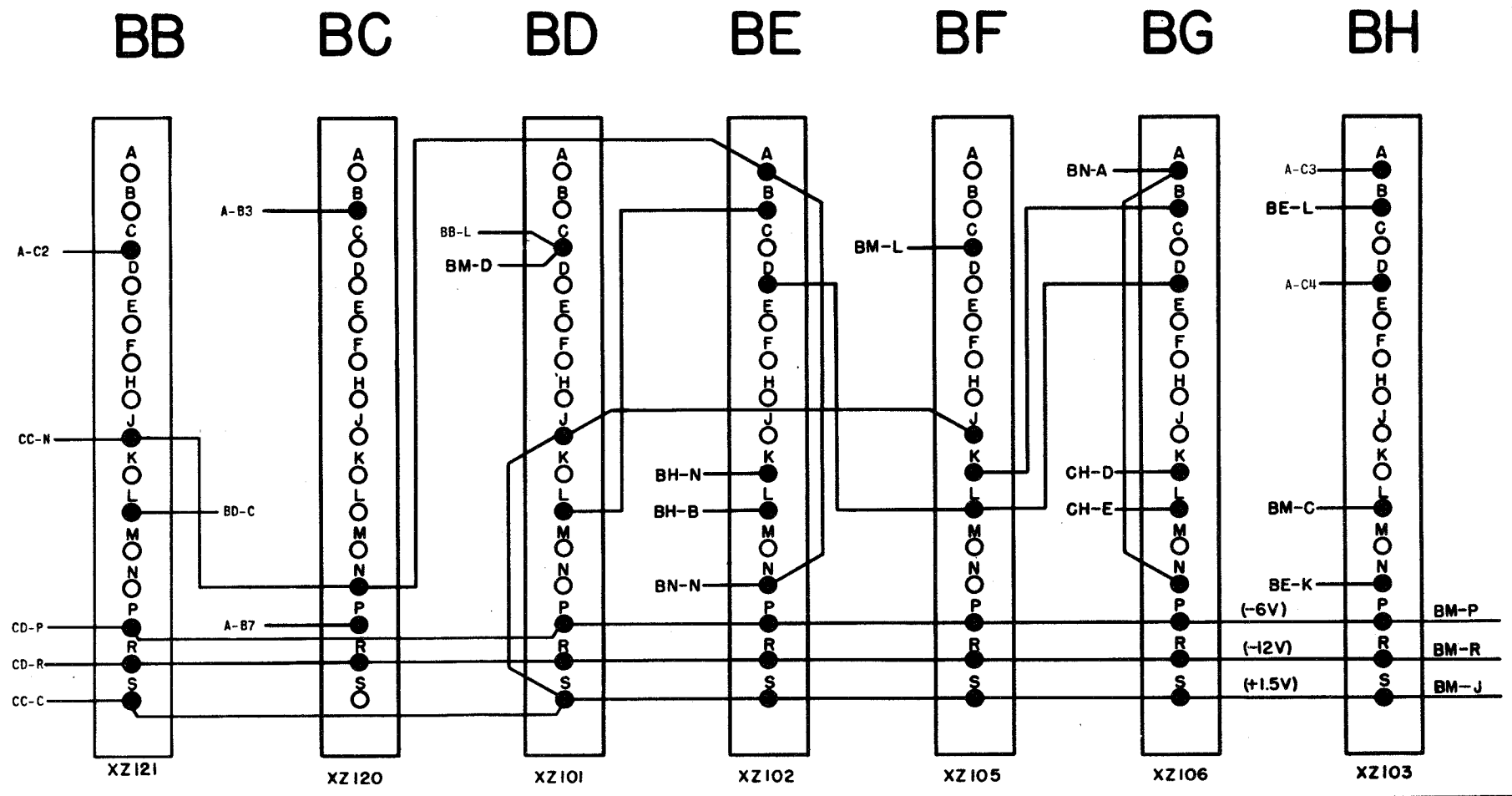
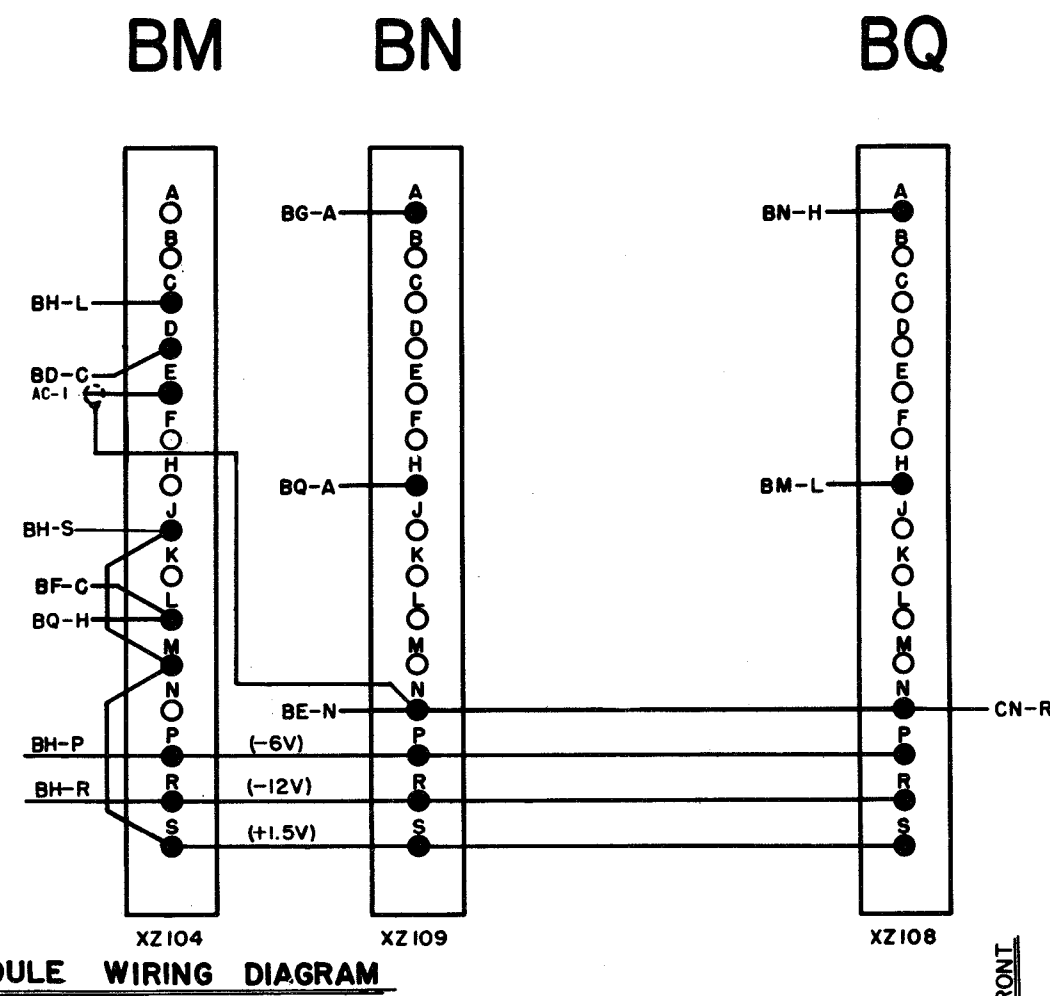
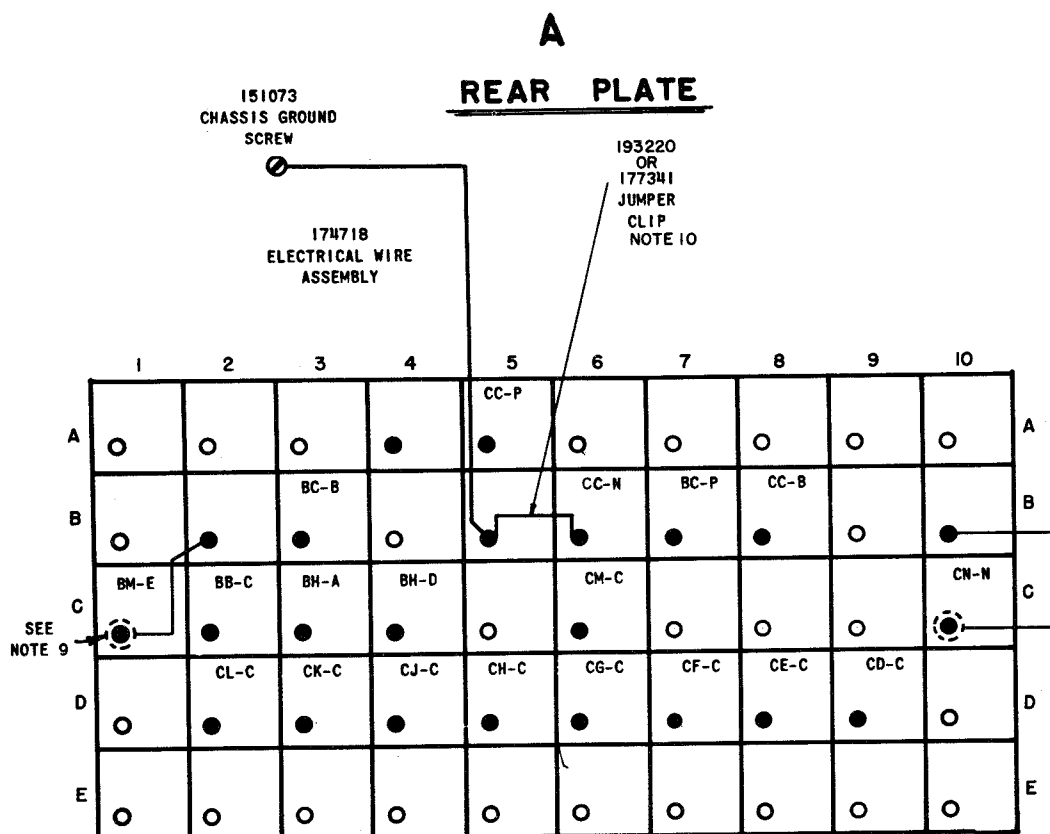


4438WD

REVISIONS

ISSUE	DATE	AUTH. NO.
2	11/1/61	71487
3	2/9/62	72428
4	10-27-65	89078

- NO NOTES
1. WIRING LEGEND:  
 DISTANT TERMINATING AREA  
 DISTANT TERMINATING DESIGNINATION  
 WIRE COLOR CODE
  2. COLOR CODE:  
 Bk - BLACK      G - GREEN  
 BR - BROWN     P - PURPLE  
 BL - BLUE       S - SLATE  
 R - RED          W - WHITE  
 O - ORANGE      Y - YELLOW
  3. INDICATES SHIELDED WIRE 24 GAGE.
  4. USE SLEEVING TO INSULATE WHERE NECESSARY.
  5. FOR SURFACE WIRING USE 24 GAGE TYPE BG-31784RM GREEN WIRE EXCEPT WHERE COLOR CODED WIRE IS NOTED.
  6. USE 24 GAGE STRAPPING WIRE 39603RM TO WIRE ADJACENT TERMINALS AND LONG STRAIGHT RUNS.
  7. FOR SCHEMATIC WIRING DIAGRAM REFER TO 4439WD.
  8. REFER TO VARIATIONS IN APPARATUS CODES CHART.
  9. DENOTES SHIELDED WIRE.
  10. JUMPER CLIP 177341 REPLACED BY 193220



**RTTY ELECTRONICS**  
 TELETYPE=Sales-Service-Parts  
 PO Box 20101 El Sobrante, Ca.  
 94820. (510)222-3102  
 mr\_rtty@pacbell.net

SHEET 1 OF 2

ACTUAL WIRING DIAGRAM FOR HIGH SPEED TRANSMITTING DISTRIBUTOR TTD501 TO 502 601 TO 603 701 TO 703 801 TO 804

**APPROVALS**

D AND R	E OF M
---------	--------

E-NUMBER

PROD. NO. 4438WD

DATE 4/13/61

P.D. FILE NO. 1-11.134AA

DRAWN K.F.L.	CHKD.
ENGD. E.H.P.	APPD.

**TELETYPE CORPORATION**

**4438WD**

SEE SHEET 1 FOR NOTES

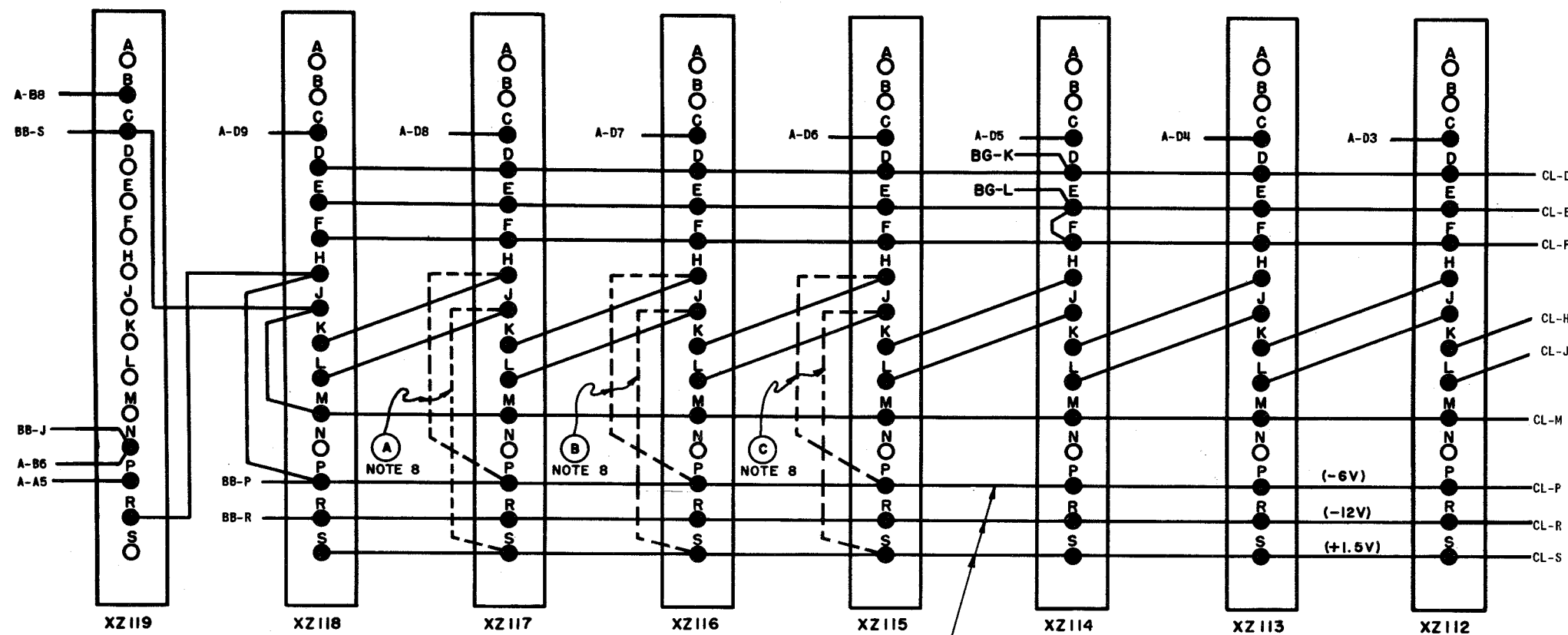
CC CD CE CF CG CH CJ CK

4438WD

REVISIONS

ISSUE	DATE	AUTH. NO.
2	11/1/61	71487
3	2/9/62	72428

RTTY ELECTRONICS  
TELETYPE=Sales-Service-Parts  
PO Box 20101 El Sobrante, Ca.  
94820. (510)222-3102  
mr\_rtty@pacbell.net

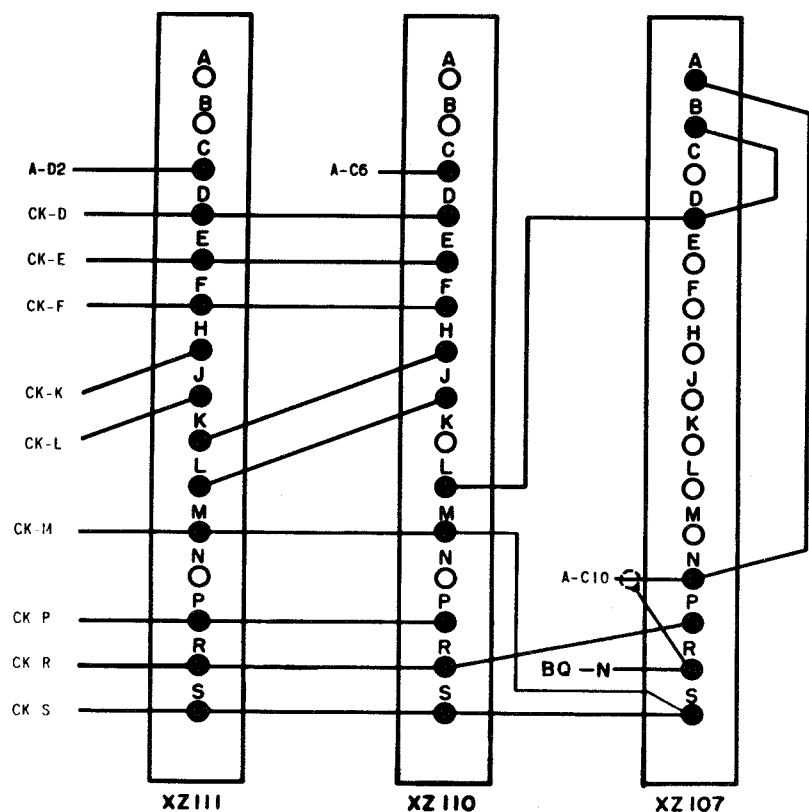


TERMINAL SIDE VIEW

NOTE 6

FRONT

CL CM CN



FRONT

VARIATIONS IN APPARATUS CODES CHART

		COMPONENTS OMITTED OR INCLUDED - OMIT X INCLUDE											
CODE - TTD	BAUD	501	601	701	801	502	602	702	802	703	803	804	
		600				750				900		1050	
LEVEL		5	6	7	8	5	6	7	8	7	8	8	
A STRAPS		-	-	*	-	-	-	*	-	*	-	-	
B STRAPS		-	*	-	-	-	*	-	-	-	-	-	
C STRAPS		*	-	-	-	*	-	-	-	-	-	-	

CODE - TTD	603
BAUD	1050
LEVEL	6
A STRAPS	-
B STRAPS	*
C STRAPS	-

SHEET 2 OF 2

ACTUAL WIRING DIAGRAM FOR HIGH SPEED TRANSMITTING DISTRIBUTOR TTD501 TO 502 601 TO 603 701 TO 703 801 TO 804

APPROVALS

D AND R	E OF M
---------	--------

E-NUMBER

PROD. NO. 4438WD

DATE 4/13/61

P.D. FILE NO. 1-11, 134AA

DRAWN K.F.L. CHKD.

ENGD. E.H.P. APPD.

TELETYPE CORPORATION

4438WD