

4574 WD

REVISIONS

ISSUE	DATE	AUTH. NO.
C	6-19-63	BDIS 4258
D	6-27-63	" 4271
E	7-08-63	" 4272

NOTE:

1. The electrical signals of the reperforator-transmitter assembly used in the high-to-low converter are connected to the cabinet wiring via plugs, cables, and terminal board. Cable assembly 190050 is used for this purpose.
2. The plugs in this cable assembly connect to receptacles at the rear of the R-T assembly. The cable connects the electrical outputs and inputs to a 150 point terminal board mounted on the cabinet heat baffle. Points of this terminal board extend through the heat baffle as a wire wrap terminal which may be used to interconnect the R-T circuitry to that of the cabinet control modules.
3. This tabulation lists the various electrical functions provided by the R-T assembly, the connectors through which they pass, the color code of the wire used, and at which pin on the 150 point terminal board each function is available.
4. Figure 1 shows the 150 pin terminal board mounted on the heat baffle, the connector used on the tape handling stand, the two connectors on the base assembly, and the connector used on the high speed reperforator (DRPE).

The "wire type" used in the following tabulation is coded according to the following table:

No Entry = 24 AWG
 * = 24 AWG Shielded
 # = 1/2 24 AWG Twisted Pair Shielded
 § = 18 AWG
 † = 18 AWG Shielded
 © = 1/2 22 AWG Twisted Pair Shielded .

The connectors used to connect the cable to the R-T set are letter coded A, B, C, and D (see figure 1). The pins on each connector are identified by a number or letter following the connector letter code with which it is associated, i.e.:

Pin 12 on connector A is identified A-12
 Pin K on connector C is identified C-K

RTTY ELECTRONICS
 TELETYPE-Sales-Service-Parts
 PO Box 20101 El Sobrante, Ca.
 94820. (510)222-3102
 mr_rtty@pacbell.net

Actual Wiring
 Diagram for 190050
 Cable Assembly

APPROVALS

D AND R E OF M

Moore *[Signature]*

E-NUMBER

PROD. NO. 4574WD

DATE: 6-19-63

P.D. FILE NO. 5-55.25.220A

DRAWN. CHKD. *[Signature]*ENGD. REP. APPD. *[Signature]*TELETYPE
CORPORATION

4574 WD

REVIEWS		
ISSUE	DATE	AUTN. NO.
4574ND		

Function	Heat Bar/Le Terminal Board Pln No.	R-1 Connector and Pln No.	Wire Type and Color
----------	------------------------------------	---------------------------	---------------------

A. Reperator (DRPE)

High Speed Bit 0

" " " " " Return

" " " " " Return

" " " " " Return

" " " " " Return

" " " " " Return

" " " " " Return

" " " " " Return

" " " " " Return

" " " " " Return

" " " " " Return

" " " " " Return

" " " " " Return

" " " " " Return

" " " " " Return

" " " " " Return

" " " " " Return

" " " " " Return

" " " " " Return

" " " " " Return

" " " " " Return

" " " " " Return

" " " " " Return

" " " " " Return

The all cable shields to this pin

B-8	I1
B-21	I2
B-1	I3
B-14	I4
B-2	I5
B-15	M1
B-3	M2
B-16	M3
B-4	P2
B-17	P3
B-5	AA1
B-18	AA2
B-6	VA
B-19	VA5
B-7	Z1
B-20	Z2
B-9	Z3
B-22	Z5
B-12	M5
B-13	P5
B-10	AA3
B-11	AA4
B-23	V1
B-24	V2
B-25	V3

Wire Type and Color

OR

OR

OR

OR

OR

OR

OR

OR

OR

OR

OR

OR

OR

OR

OR

OR

TELETYPE CORPORATION

4574ND

REVISED			
ISSUE	DATE	AUTH. NO.	
			4574MD

Heat Bar/Le Terminal Board Pin No.	R-T Connector and Pin Letter	Wire Type and Color (Part of Cable RM3133)	Function
------------------------------------	------------------------------	--	----------

A1	C-b	W-BK	Distributor Signal Line Bit 1
A2	C-c	W-BR	" " " " " "
A3	C-d	W-R	" " " " " "
A4	C-e	W-O	" " " " " "
A5	C-f	W-Y	" " " " " "
B1	C-A	W-G	Reader Sensing Contacts Bit 1 Mark
B2	C-B	W-BL	" " " " " "
B3	C-C	W-P	" " " " " "
B4	C-D	W-S	" " " " " "
B5	C-E	BK-R	" " " " " "
C1	C-F	BK-O	Reader Sensing Contacts Bit 1 Space
C2	C-H	BK-Y	" " " " " "
C3	C-J	BK-G	" " " " " "
C4	C-Y	R	" " " " " "
C5	C-a	BK-BL	" " " " " "
D1	C-M	#BL	Reader Sensing Contact Common
D2	C-K	#W	Distributor Start-Stop
D3	C-X	#R	Signal Line (+)

REVISIONS		
ISSUE DATE	AUTH. NO.	
		4574WD

Wire Type and Color (Part of Cable RM3133)	R-T Connector and Pin Letter	Heat Battle Terminal Board Pin No.	Function
--	------------------------------	------------------------------------	----------

B. Reader (cont'd)

Distributor Auxiliary Contact

" " " 2 Return

Reader Clutch

" " Return

Distributor Clutch

" " Return

Distributor Clutch Trip Contact (N.O.)

" " " (Common)

Distributor Clutch Trip Contact (N.C.)

Reader Timing Auxiliary Contact (N.O.)

" " " (Common)

" " " (N.C.)

Start Stop Switch

" " Return

Tape Out Contact (N.O.)

" " " (Common)

" " " (N.C.)

D4

D5

E1

E2

E3

E4

F2

F1

E5

F5

F4

F3

G1

G2

G3

G4

G5

C-Z

C-V

C-P

C-R

C-h

C-j

C-T

C-L

C-k

C-n

C-m

C-s

C-p

C-r

C-w

C-u

C-m

R-O

R-Y

#S

#BR

*BR

*G

*P

*O

*Y

R-G

BN

W

O

Y

G

BL

P

Heat Battle Terminal Board Pin No.	R-T Connector Pin Letter	Wire Type and Color (Part of Cable RM31133)
---------------------------------------	-----------------------------	---

Heat Battle Terminal Board Pin No.	R-T Connector Pin Letter	Wire Type and Color (Part of Cable RM31133)	Function
H1	C-S	S	Code Reading Contacts Bit 1 Mark
H2	C-t	BK	"
H3	C-u	R-BL	"
H4	C-v	W-BK-R	"
H5	C-w	W-BK-O	"
J1	C-x	W-BK-Y	Code Reading Contacts Bit 1 Common
J2	C-y	W-O-G	"
J3	C-z	W-O-BR	"
J4	C-AA	W-R-RP	"
J5	C-BB	W-R-O	"
K1	C-CC	W-R-Y	Code Reading Contacts Bit 1 Space
K2	C-DD	W-R-G	"
K3	C-EE	W-R-BL	"
K4	C-FF	W-R-P	"
K5	C-HH	W-R-S	"
JPS	-	-	Shield Ground

The all cable shields to this pin

REVISIONS		
ISSUE DATE	AUTH. NO.	
4574WD		

Function	Heat Battle Terminal Board Pin No.	R-T Connector and Pin Letter	Wire Type and Color
----------	------------------------------------	------------------------------	---------------------

C. Base Wiring (Reader)	M4	D-A	W-BK-I
Tight Tape (N.C.)	M2	D-B	W-BK-G
" (C)	M3	D-C	W-BK-P
Taut Tape (C-1)	P4	D-D	BK-BL
" (N.O.-1)	Q1	D-E	R-O
Taut Tape (C-2)	Q2	D-F	W
" (N.O.-2)	Q3	D-H	W-BK
Tape Out at Reperforator	R5	D-J	W-BK-O
" " " "	S5	D-K	W-R-BR
AC, 117 V Reader Motor	Y3	D-S	W
AC, Common, Reader Motor	Y4	D-T	W-BK
Frame Ground	Y5	D-U	§G
Shield Ground	Q5	D-HH	-
	The all cable shields to this pin	The all cable shields to this pin	
	M5	D-a	BR
	M4	D-b	R
	M3	D-c	Y

REVISIONS		
ISSUE	DATE	AUTH. NO.

Heat Battle Terminal Board Pin No.	R-T Connector and Pin Letter	Wire Type and Color	Function
------------------------------------	------------------------------	---------------------	----------

C. Base Wiring (Reader) - cont'd

W1	D-P	W-R-O	Code Reading Contacts Bit 6 Mark
W2	D-R	W-R-Y	" " " " " 7
W3	D-S	W-R-G	" " " " " 0
W4	D-Z	W-R-BI	Reader Sensing Contact Bit Mark
W5	D-CC	W-R-P	" " " " " Space
X1	D-t	W-R-S	Code Reading Contact Bit 6 Common
X2	D-u	W-O-BI	" " " " " 7
X3	D-v	W-O-BR	" " " " " 0
X4	D-AA	W-O-G	Reader Sensing Contact Bit 7 Mark
X5	D-DD	W-O-P	" " " " " Space
U1	D-W	W-O-S	Code Reading Contact Bit 6 Space
U2	D-x	Y-G	" " " " " 7
U3	D-y	BI-O	" " " " " 0
U4	D-BB	BR-BI	Reader Sensing Contact Bit 0 Mark
U5	D-EE	BR-Y	" " " " " Space
N1	D-L	O	Spare
P1	D-M	BI	Spare
Q4	D-N	P	Spare
Z4	D-P	S	Spare

TELETYPE CORPORATION
4574WD

Function	Heat Bar/le Terminal Board Pln No.	R-T Connector and Pln No.	Wire Type and Color
----------	------------------------------------	---------------------------	---------------------

D. Tape Handling Stand

Supply Tight Tape (N.O.)

" " " (Swinger)

Supply Low Tape (N.O.)

Swinger

Supply Low Tape (N.C.)

Shield Ground

Power Factor Cap

" " "

Tape Bin Full (N.O.)

" " " (Swinger)

" " " (N.C.)

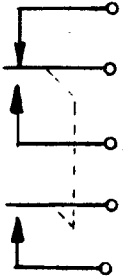
" " " (Swinger)

Supply Reel, Tape

Out Switch

Spare

Spare



REVISIONS		
ISSUE	DATE	AUTH. NO.

Tape handling stand terminal strip (Top and Bottom) functions are variable and are indicated on following sheet. For the respective modification kits or assemblies.

D. Tape Handling Stand (cont'd)

Bottom Terminal Strip Pin 1

" " " "

" " " "

" " " "

" " " "

" " " "

" " " "

" " " "

" " " "

" " " "

" " " "

Top Terminal Strip Pin 1

" " " "

" " " "

" " " "

" " " "

" " " "

" " " "

" " " "

" " " "

Heat Battle Terminal Board	R-1 Connector	Wire Type and Color
Pln No.	Pln No.	

BH1

BB2

BB3

BB4

BF4

BF3

BE3

BE4

BF1

FF2

CC1

CC2

CC3

CC4

CC5

DD1

DD2

DD3

DD4

DD5

A-5

A-6

A-7

A-8

A-9

A-10

A-11

A-12

A-13

A-14

A-15

A-16

A-17

A-21

A-22

A-23

A-24

A-25

A-26

A-27

Q/R

Q/BK

QY

QBR

BR

G

R

R-Y

R-G

M-BR

BK-C

BK-Y

BK-O

BK-R

M-S

M-P

M-G

M-Y

M-O

M-R

TELETYPE CORPORATION

4574MD

REVISIONS			
ISSUE	DATE	AUTH. NO.	

4574VD

Terminal Board connections when 190011 modification kit is installed in tape handling stand

Function

Heat Bar/Le Terminal Board Pin No.

Heat Bar/Le Terminal Board Pin No.	Function
BBI	Bottom Terminal Strip Pin 1, Signal Line (+)
BB2	" " " " (-)
BB3	" " " " 3 Ground
BB4	" " " " 4 -48 V DC
FF4	" " " " 5 Intended for Internal Use
FF3	" " " " 6 " " " "
EE3	" " " " 7 Busy Line Inhibit
EE4	" " " " 8 " " " "
FF1	" " " " 9 Blank Delete
FF2	" " " " 10 " " " "
CC1	Top Terminal Strip Pin 1, Transfer Contacts (N.O.)
CC2	" " " " 2 From B.L. Relay (C)
CC3	" " " " 3 " " " (N.C.)
CC4	" " " " 4 Transfer Contacts (N.O.)
CC5	" " " " 5 From O.L. Relay (C)
DD1	" " " " 6 " " " (N.C.)
DD2	" " " " 7 Busy Line Indicator (N.O.)
DD3	" " " " 8 " " " (N.O.)
DD4	" " " " 9 Open Line Indicator (N.O.)
DD5	" " " " 10 " " " "

TELETYPE CORPORATION

4574VD

REVISIONS			
ISSUE	DATE	AUTH. NO.	
			4574WD

Heat Bar/Le
Terminal Board
Pin No.

Terminal board connections when 193230 modification
kit is installed in tape handling stand
Function

BB1	Bottom Terminal Strip Pin 1, 24 V AC	"	"	"	"	"
BB2	" "	"	"	"	"	"
BB3	3 117 V AC	"	"	"	"	"
BB4	" "	"	"	"	"	Common
BB4	4	"	"	"	"	"
BB4	5 -48 V DC	"	"	"	"	"
BB3	6 Ground	"	"	"	"	"

4574 WD

REVISIONS

ISSUE	DATE	AUTH. NO.
B	3-25-63	BDIS4258

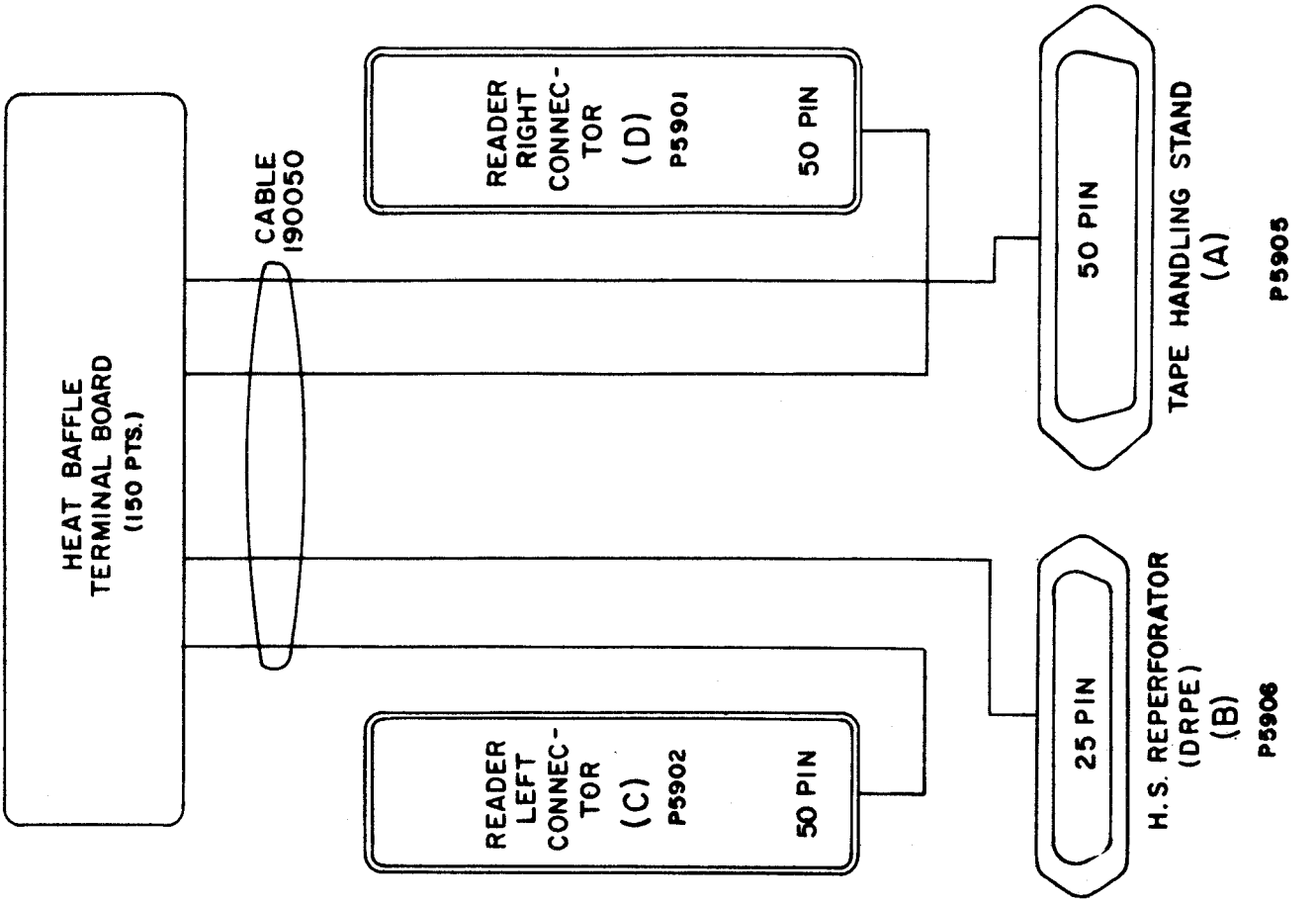


FIGURE # 1

APPROVALS	
D AND R	E OF M
<i>mon</i>	<i>~</i>
E-NUMBER	
PROD. NO. 4574 WD	
DATE: 7-26-63	
P.D. FILE NO.	
DRAWN. D.L.	CHKD. <i>MB</i>
ENGD.	APPD. <i>RJK</i>

TELETYPE CORPORATION

4574 WD