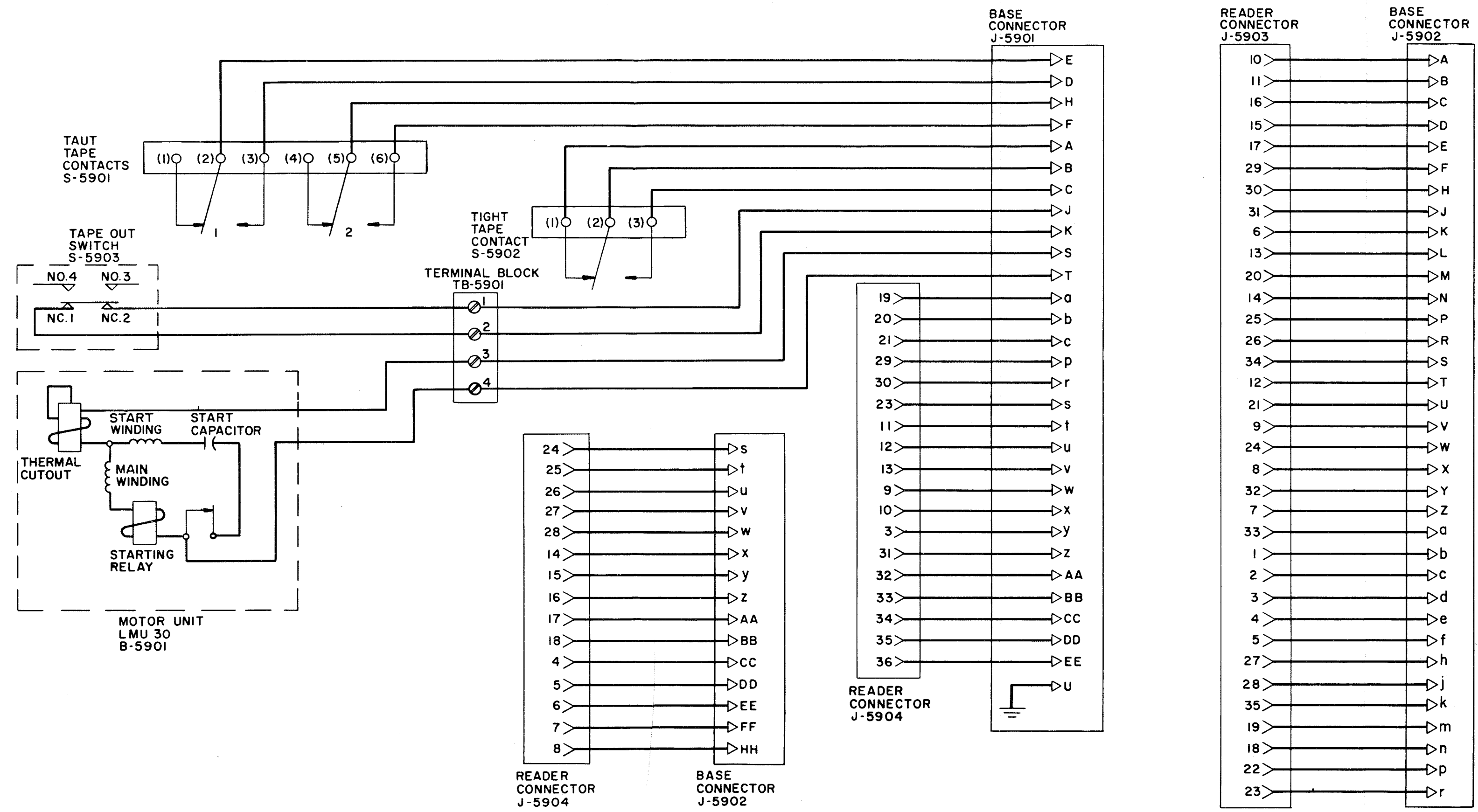


NO.	NOTES
1.	FOR ACTUAL SEE 4635 WD.
2.	
3.	TERMINAL DESIGNATIONS ENCLOSED IN PARENTHESIS ARE NOT MARKED ON COMPONENT.



4634 WD

REVISIONS		
ISSUE	DATE	AUTH. NO.
A	3-30-63	76400

APPROVALS	
D AND B	E OF M
<i>[Signature]</i>	<i>[Signature]</i>
E-NUMBER	
PROD. NO. 4634 WD	

SCHEMATIC
WIRING DIAGRAM
FOR
MODEL-28
REPERFORATOR
TRANSMITTER
BASE
LRXB 26
H/L
CONVERTER

DATE:	9-21-62
RD. FILE NO.	
DWN:	V.E.S. CHKD: <i>[Signature]</i>
ENG:	L.H. APPD: <i>[Signature]</i>

TELETYPE
CORPORATION
4634 WD

RTTY ELECTRONICS
TELETYPE=Sales-Service-Parts
PO Box 20101 El Sobrante, Ca.
94820. (510)222-3102
mr_rtty@pacbell.net