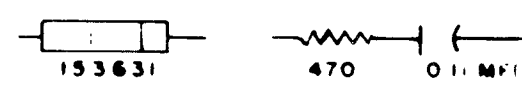

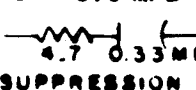
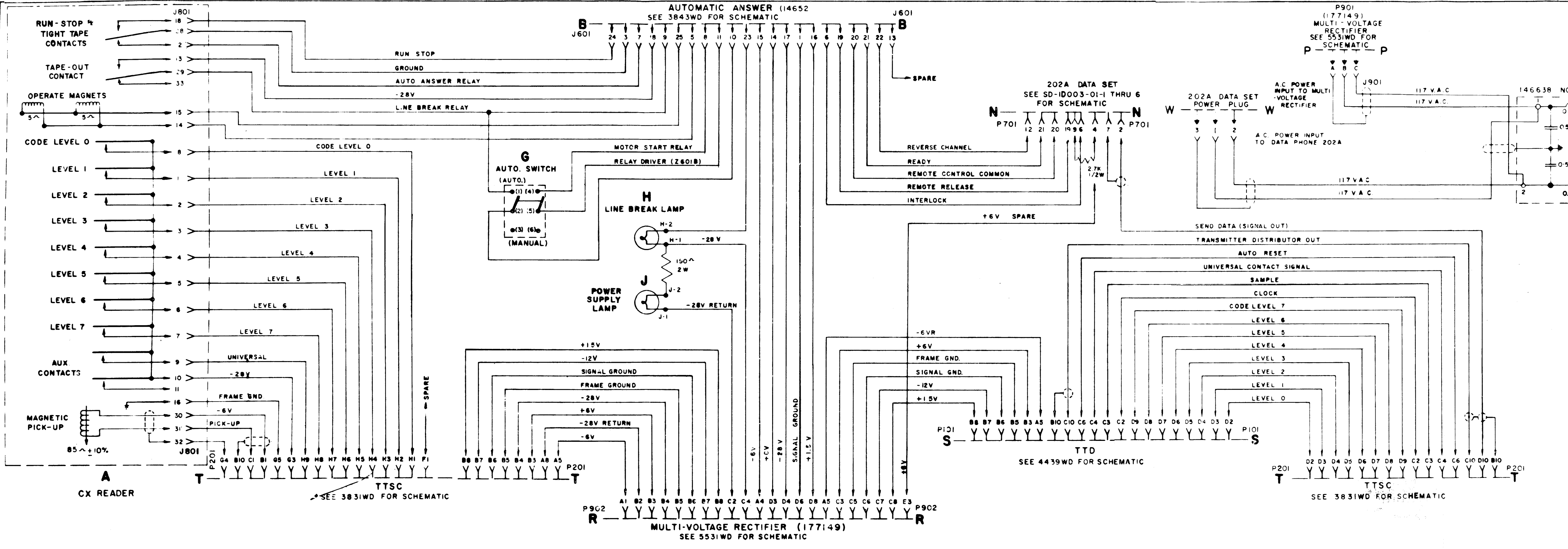
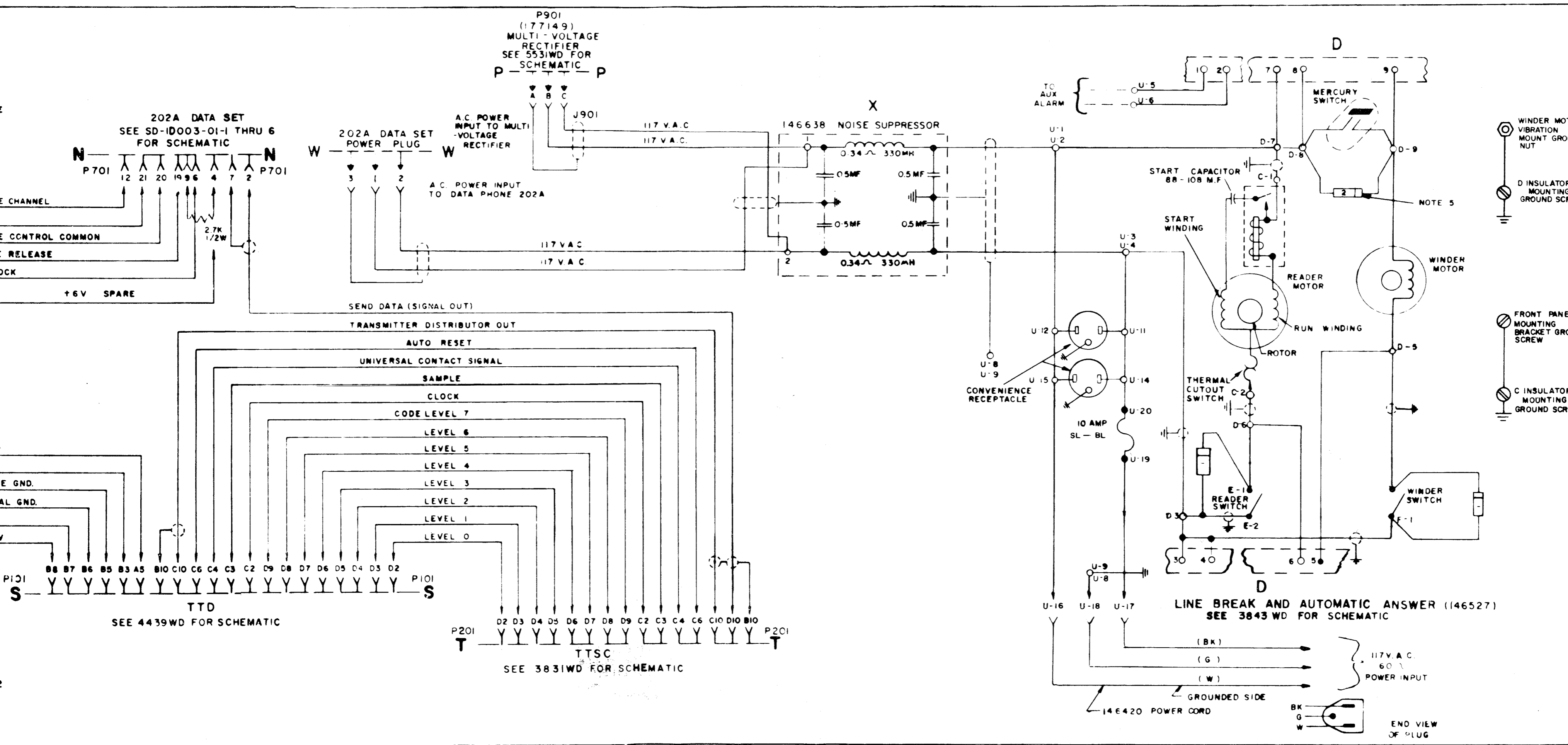


1232-2

NO	NOTES
1	FOR ACTUAL WIRING DIAGRAM REFER TO 4701WD
2	SPARES TIED TO CABLE AT M CONNECTOR
3	ASSOCIATED UNITS AND WD'S UNIT OR MOD KIT      SCHEMATIC WD TTSC                    3831WD TTD                     4439WD 146527                 3843WD 177149                 5531WD CX READER            SD-ID003-01-1 THRU 6 DATA PHONE 202A
4	NETWORK 
5	NETWORK  LATER UNITS HAVE TELETYPE NO. 309899 FOR IMPROVED ARC SUPPRESSION 



RTTY ELECTRONICS  
 TELETYPE=Sales-Service-Parts  
 PO Box 20101 El Sobrante, Ca.  
 94820. (510)222-3102  
 mr\_rtty@pacbell.net



<b>4772 WD</b>		
<b>REVISIONS</b>		
ISSUE	DATE	AUTH. NO.
8	11-21-66	92180
9	5-26-69	98494
<b>APPROVALS</b>		
D AND R	E OF M	
E NUMBER		
PROD. NO. 4772 WD		
<b>SCHEMATIC WIRING DIAGRAM FOR DATASPEED TRANSMITTING TERMINAL</b>		
DATE 26-OCT-61		
P. D. FILE NO.		
DRAWN RBB	CHKD	
ENGD. RBB	APPD	
<b>TELETYPE CORPORATION</b>		
<b>4772 WD</b>		