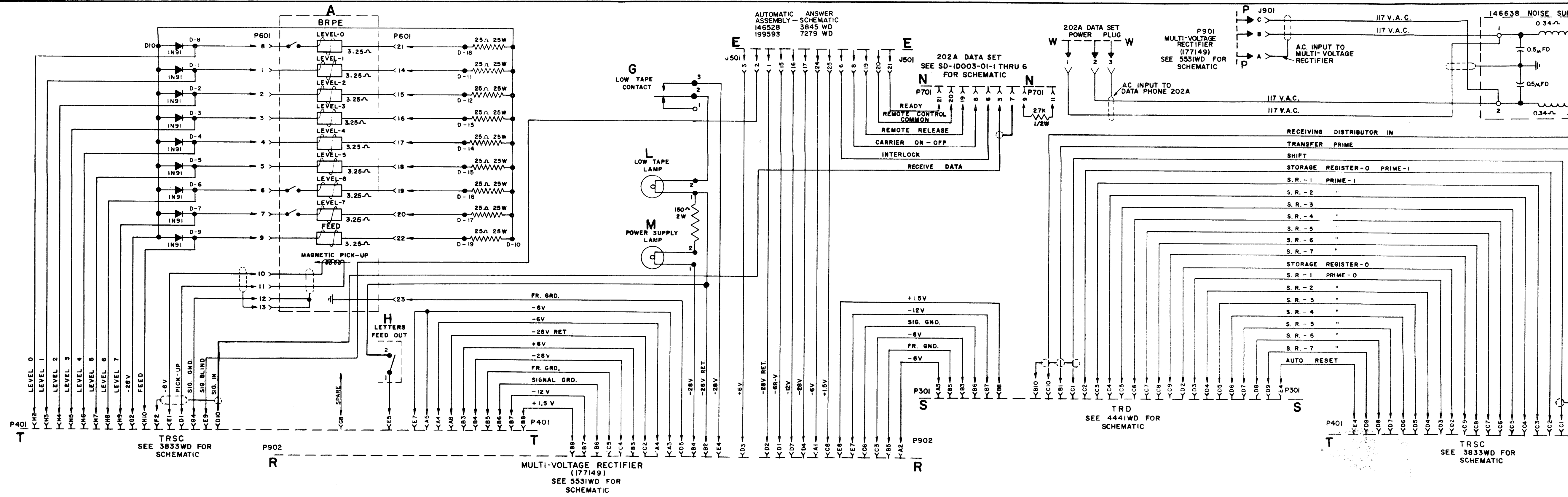
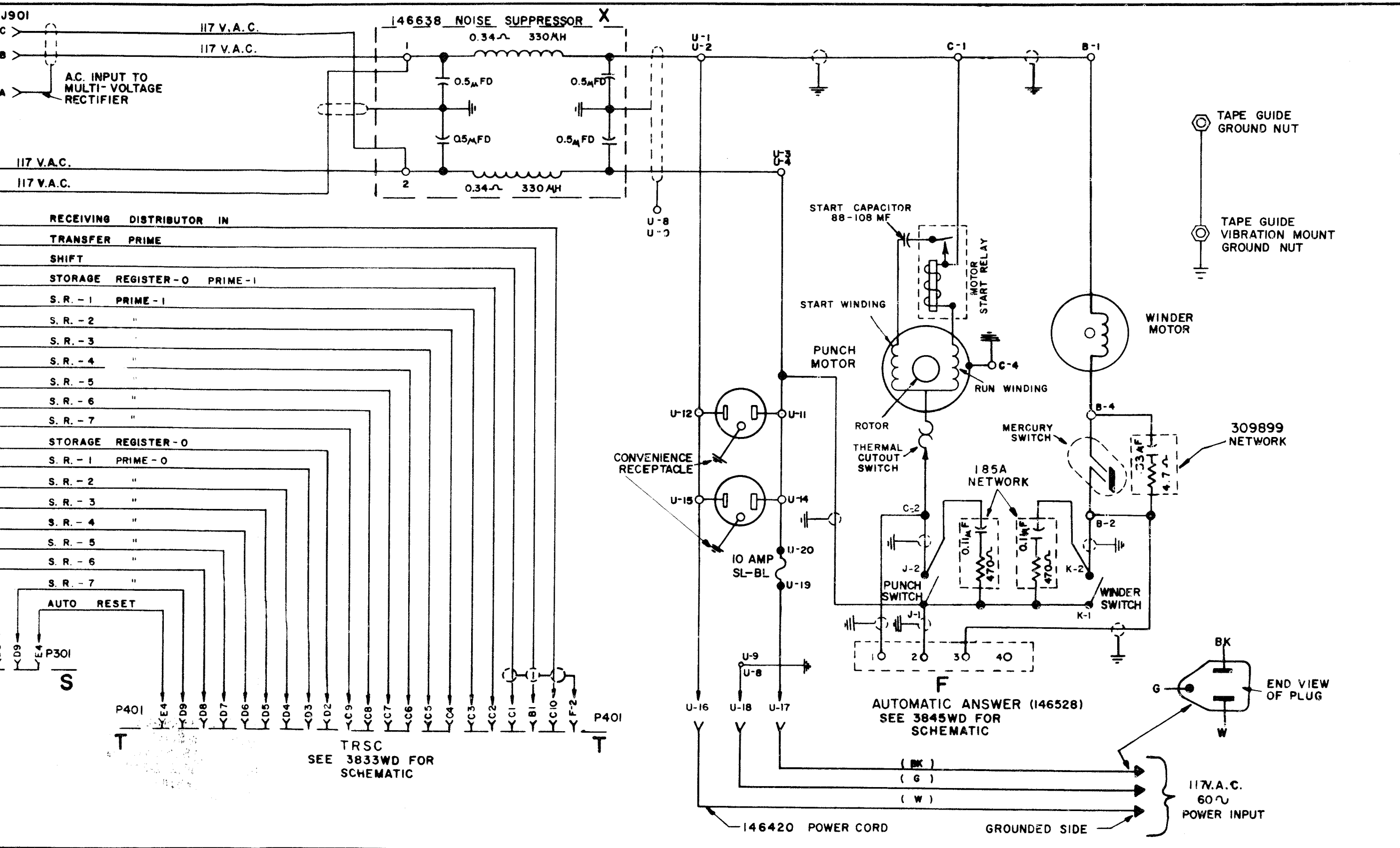


NO	NOTES
1.	FOR ACTUAL WIRING DIAGRAM REFER TO 4702WD.
2.	SPARES TIED TO CABLE AT N CONNECTOR.
3.	ASSOCIATED UNITS AND WD'S UNIT OR MOD. KIT SCHEMATIC WD
	TRSC 3833 WD
	TRD 4441 WD
	146528 3845 WD
	177149 5531 WD
	BRPE 4497 WD
	DATA PHONE 202A SD-ID003-01-1 THRU 6

RTTY ELECTRONICS
TELETYPE=Sales-Service-Parts
PO Box 20101 El Sobrante, Ca.
94820. (510)222-3102
mir_rtty@pacbell.net



TRSC
SEE 3833WD FOR
SCHEMATIC



4773WD

REVISIONS		
ISSUE	DATE	AUTH. NO.
2	2-1-62	72326
3	8-22-62	74280
4	1-11-63	78638
5	11-3-64	83848
6	12-31-64	82825
7	6-30-65	88052
8	4-26-66	81893/1
9	5-21-69	98494

APPROVALS	
R AND D	E OF M
E-NUMBER	
PROD. NO. 4773WD	
SCHEMATIC WIRING DIAGRAM FOR DATASED RECEIVING TERMINAL	
DATE: 21-OCT-61	
P.D. FILE NO. 1-A.148/132AA	
DRAWN RBB	CHKD
ENGD JPC	APPD
TELETYPE CORPORATION	
4773WD	