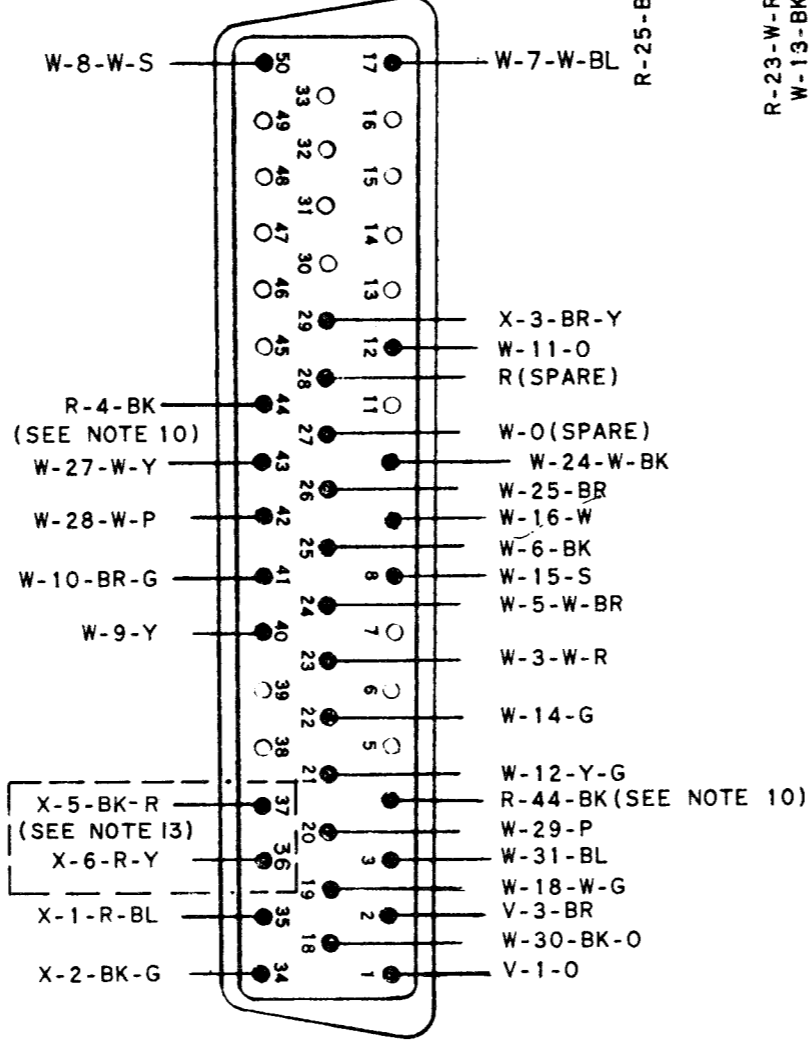
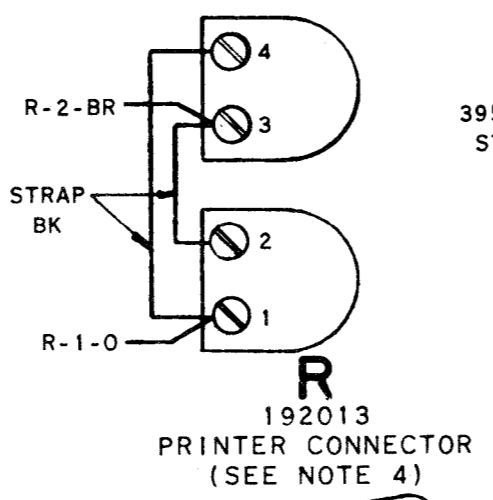


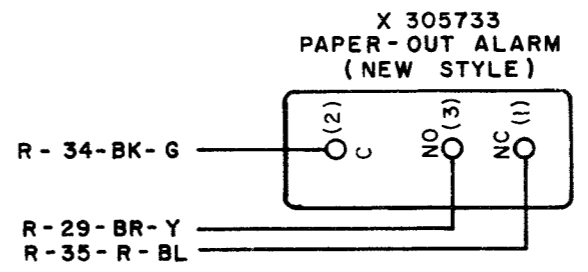
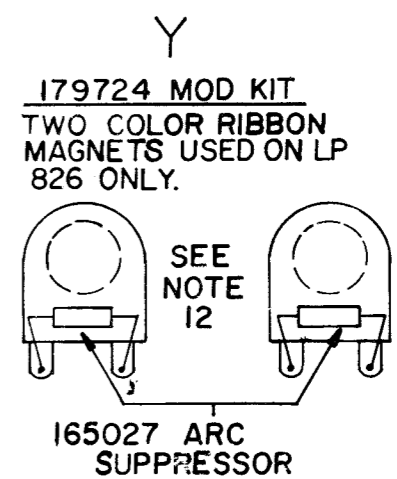
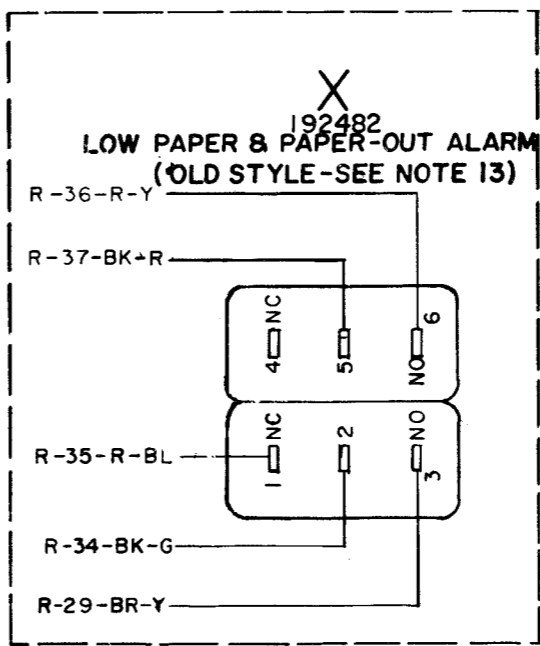
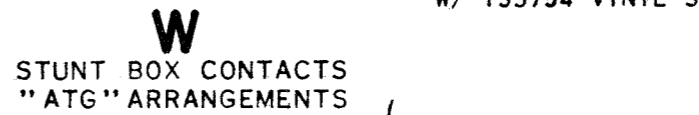
- NO. NOTES
- WIRING LEGEND:
 - DISTANT TERMINATING AREA
 - DISTANT TERMINAL DESIGNATION
 - A-1-W-BL
 - WIRE COLOR CODE
 - COLOR CODE:

BK - BLACK	Y - YELLOW
BR - BROWN	P - PURPLE
BL - BLUE	O - ORANGE
S - SLATE	G - GREEN
R - RED	W - WHITE
 - CONTACTS VIEWED FROM SOLDER TERMINAL ENDS.
 - CONNECTOR VIEWED FROM BOTTOM.
 - NUMBERS AT TOP OF STUNT BOX CONTACTS REFER TO SLOT.
 - FILLED CONTACT TERMINAL IN STUNT BOX REPRESENTS NORMALLY CLOSED CONTACT. UNFILLED CONTACT TERMINAL REPRESENTS NORMALLY OPEN CONTACT.
 - CONTACTS SHOWN IN UNOPERATED OR DE-ENERGIZED POSITION.
 - SELECTOR COIL IS WIRED FOR .500 AMP OPERATION.
 - ASSOCIATED CABLE ASSEMBLIES:
 - 192481 CABLE ASSEMBLY (AREA R-W) (ATG ONLY)
 - 192483 CABLE ASSEMBLY (AREA R-X)(OLD STYLE)
 - 192484 CABLE ASSEMBLY (AREA R-V)
 - 305677 CABLE ASSEMBLY (AREA R X)(NEW STYLE)
 - STRAP TERMINAL 4 TO TERMINAL 44 USING 192318 WIRE ASSEMBLY. (ATG ONLY)
 - TAPE ENDS AND TIE BACK ON CABLE SPARE YELLOW, GREEN & BLUE WIRES.
 - LP 826 CUSTOMER TO SUPPLY WIRING TO STUNT BOX CONTACTS AND TERMINALS OF 2 COLOR RIBBON COILS.
 - SWITCHES AND WIRE LEADS ENCLOSED BY A DOTTED OUT LINE ARE PECULIAR TO THE OLD STYLE 192482 LOW PAPER AND PAPER OUT ALARM ASSEMBLY

RTTY ELECTRONICS
 TELETYPE=Sales-Service-Parts
 PO Box 20101 El Sobrante, Ca.
 94820. (510)222-3102
 mr_rtty@pacbell.net



39522RM STRAP
W/ 155754 VINYL SLEEVE



4786 WD

REVISIONS		
ISSUE	DATE	AUTH. NO.
A	6-8-62	73684
B	6-22-62	73647
C	8-21-62	74286
D	11-6-62	75018
E	11-6-62	75039
7	9-10-63	77956
8	8-7-64	82857
9	8-10-64	81109-1
10	8-18-65	88122
11	3-6-67	92948

ACTUAL
WIRING DIAGRAM
FOR MODEL 35
TYPING UNIT
STUNT BOX "ATG,
ATN, AUA & AUN"
LP 806
LP 826
35A

APPROVALS	
D AND R	E OF M
FLAK	C
E-NUMBER	
PROD. NO. 4786WD	
DATE: 3-31-62	
P.D. FILE NO. 2-A100AA	
DRAWN. V.E.S.	CHKD.
ENGD. C.F.S.	APPD.
TELETYPE CORPORATION	
4786 WD	