

ISSUE CONTROL RECORD

4933 WD

SHEET
NO.

ISSUE

REVISIONS

	2	3	4	5	6	7	8	9	10	11	12	13	14	15	16	17	18	19
1	X	X	X	X	X	X	X	X										
2	X	X	X	X	X	X	X	X										
3	X	X	X	X	X													
4	X	X	X															
5	X	X	X	X														
6	X	X	X	X	X													

ISSUE	DATE	AUTH. NO.
2	8-1-62	74097
3	8-30-62	74344
4	10-20-62	74882
5	3-8-63	75732
6	11-14-63	78849
7	5-8-64	81602
8	6-16-64	82025
9	10-27-64	84301
10	3-24-65	86801
11	3-31-65	86296
12	11-24-65	89089

ISSUE CONTROL
SHEET 1 OF 1

ACTUAL
WIRING DIAGRAM
FOR
LESU 305 (KSR)

APPROVALS

D AND R	E OF M
---------	--------

<i>JK</i>	<i>[Signature]</i>
-----------	--------------------

E-NUMBER

PROD. NO. 4933 WD

DATE: 11-24-65

P.D. FILE NO. 1-159-151 AA

DRAWN. J.M.H. CHKD.

ENGD. G W APPD. T.I.P.

**TELETYPE
CORPORATION**

4933 WD

4933WD

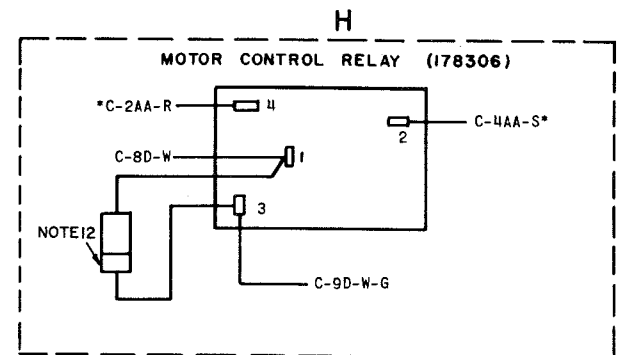
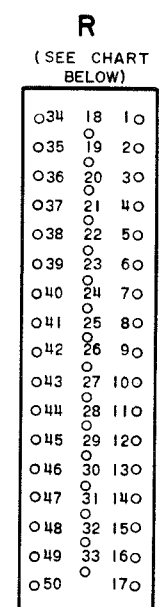
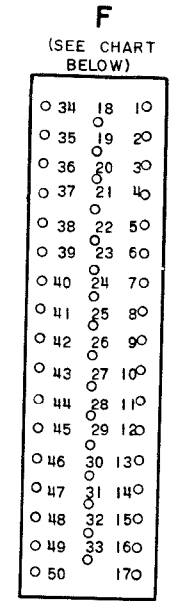
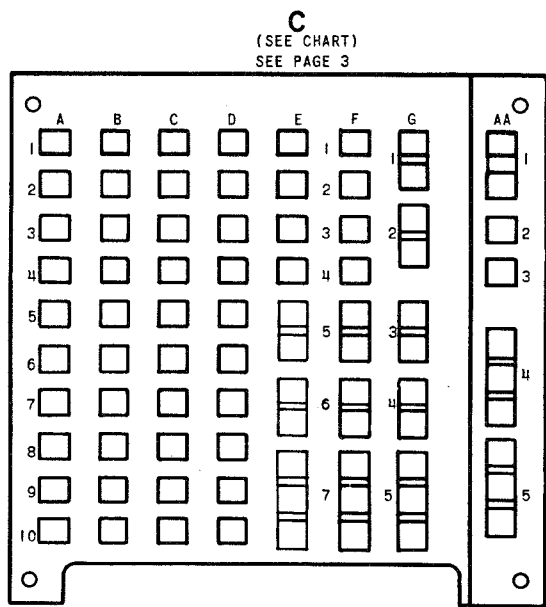
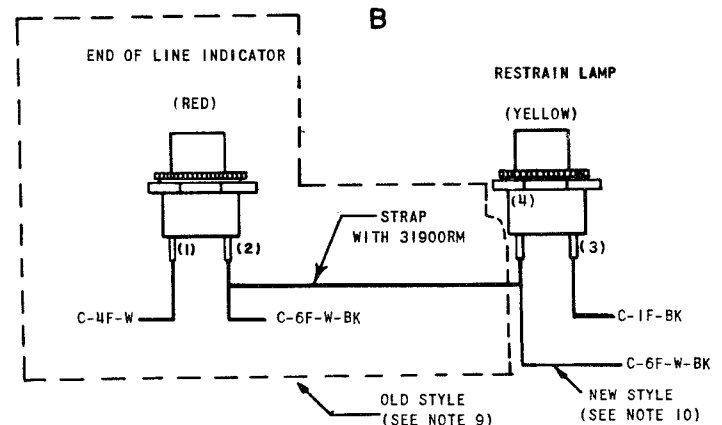
REVISIONS

ISSUE	DATE	AUTH. NO.
2	8-1-62	74097
3	8-30-62	74344
4	10-20-62	74882
5	3-8-63	75732
6	11-14-63	78849
7	5-8-64	81602
8	6-16-64	82025
9	10-27-64	84301

NOTE: REVISION INFORMATION MUST ALSO BE REFLECTED ON THE ISSUE CONTROL RECORD.

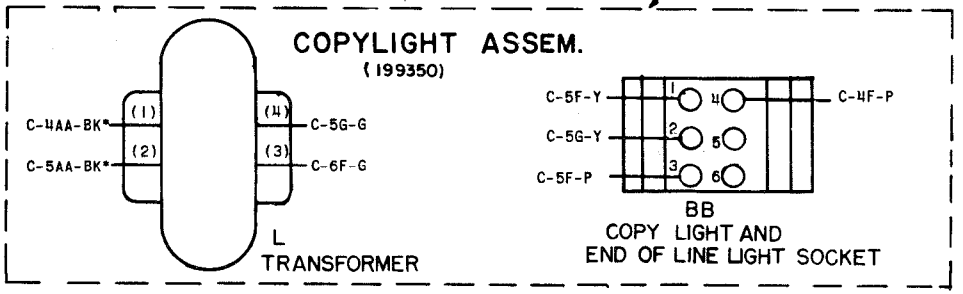
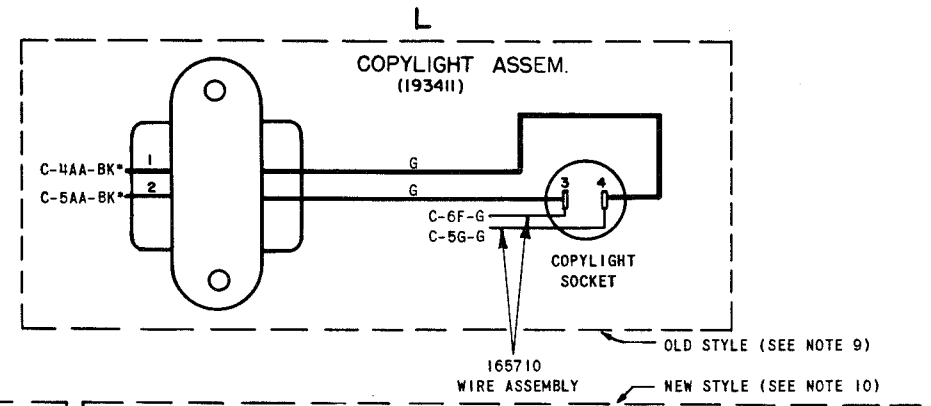
- NOTES**
1. WIRING LEGEND:
 2. COLOR CODE:

BK - BLACK	W - WHITE
R - RED	O - ORANGE
G - GREEN	S - SLATE
BL - BLUE	Y - YELLOW
P - PURPLE	BR - BROWN
 3. UNIT WIRED FOR 117 VOLTS, 60 CYCLE A.C. POWER INPUT ONLY.
 4. PLUG VIEWED FROM SOLDER TERMINAL ENDS.
 5. FOR SCHEMATIC WIRING DIAGRAM, SEE 4935WD SHEETS B1, B2 AND B3.
 6. * ASTERISK DENOTES 18 GA. WIRE.
 7. SLECTOR MAGNET DRIVER ACTUAL WIRING DIAGRAMS ARE 5826WD FOR SMD 165706 5983 WD FOR SMD 193485
 8. UNITS USING VARIABLE CURRENT SELECTOR MAGNET DRIVER WITH 193440 CIRCUIT CARD ARE WIRED PER PAGES 1, 2 & 3. UNITS USING CONSTANT CURRENT SELECTOR MAGNET DRIVER WITH 182630 CIRCUIT CARD ARE WIRED PER PAGES 4, 5 & 6.
 9. SHOWS WIRING WHEN END OF LINE LIGHT IS ON PANEL ADJACENT TO KEYBOARD.
 10. SHOWS WIRING WHEN END OF LINE LIGHT IS ON UPPER COVER AT TOP OF LINE GUIDE SHAFT.
 11. SL-BL INDICATES SLOW-BLOWING
 12. NETWORK NOTE:
TELETYPE PART NO.153631



LEADS CONNECTED TO MAIN BOARD		
C-9B	R1	O
C-10B	R2	W-BR
C-3C	R4	W-G
C-4C	R5	W-P
C-5C	R6	W-R
C-6C	R7	W-BL
C-1D	R29	W-O
C-2D	R34	BK-G
C-3D	R35	R-BL
C-4D	R8	R-Y
C-5D	R9	BK-R
C-9C	F1	BK
C-4G	F2	BR
C-10C	F3	G
C-4G	F4	W
C-8C	F5	S
C-7C	F6	P
C-5G	F7	R
C-4F	F8	Y
C-5AA	F17	W*
C-3AA	F32	R*
C-4AA	F50	BL*
C-10A	F18	W-S

LEADS CONNECTED TO MAIN BOARD		
C-1AA	T2	BK*
C-2AA	Q1	S*
C-2AA	HM	R*
C-4AA	L1	BK*
C-4AA	H2	S*
C-5AA	L2	BK*
C-5AA	P2	W*
C-9C	NN	W
C-10C	NR	BL
C-8D	H1	W
C-9D	H3	W-G
C-1E	NP	O
C-2E	NL	BK
C-3E	S1	W-R
C-4E	S2	W-BL
C-5E	S4	BR-Y
C-6E	S3	BL-G
C-1F	B3	BK
C-2F	S6	BL
C-4F	B1	W
C-5G	LU	G
C-6F	S5	Y-G
C-6F	B2	W-BK
C-6F	L3	G
C-5G	P3	G*
C-4G	NA	P
C-4AA	SMD-4	R
C-5AA	SMD-C	O
C-7B	SMD-P	G
C-8B	SMD-N	P
C-9B	SMD-5	BL
C-10B	SMD-2	BK
C-10A	MK	Y
C-5G	GRD.	BK*



RITY ELECTRONICS
 TELETYPE=Sales-Service-Parts
 PO Box 20101 El Sobrante, Ca.
 94820. (510)222-3102
 mr_rty@pacbell.net

SHEET 1 OF 6

ACTUAL WIRING DIAGRAM FOR LESU305 (KSR)

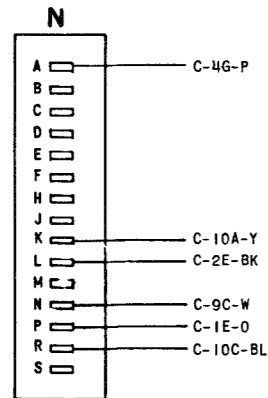
APPROVALS
 D AND R: _____
 E OF M: _____

E-NUMBER
 PROD. NO. 4933WD
 DATE 6-5-62
 P.D. FILE NO. 1-159.151AA
 DRAWN M.K. CHKD.
 ENGD. W.T.C. APPD. T.I.P.

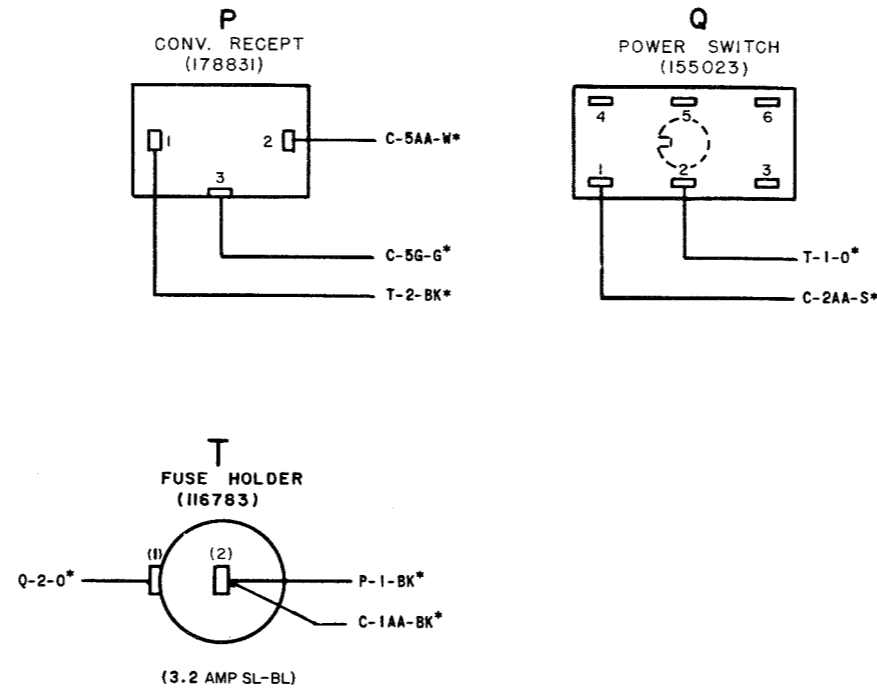
TELETYPE CORPORATION
 4933WD

SEE SHEET 1 FOR NOTES.

SIGNAL REGEN. ASSEMBLY

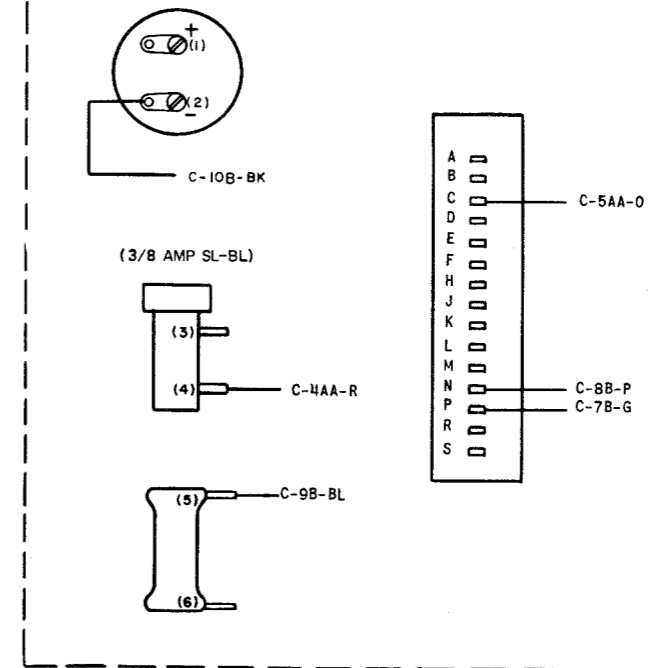


POWER DISTR. ASSEM. (165699)



NOTE: REVISION INFORMATION MUST ALSO BE REFLECTED ON THE ISSUE CONTROL RECORD.

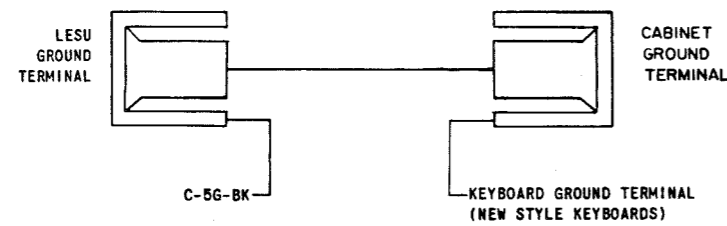
SMD (SEE NOTE 7) (165706)



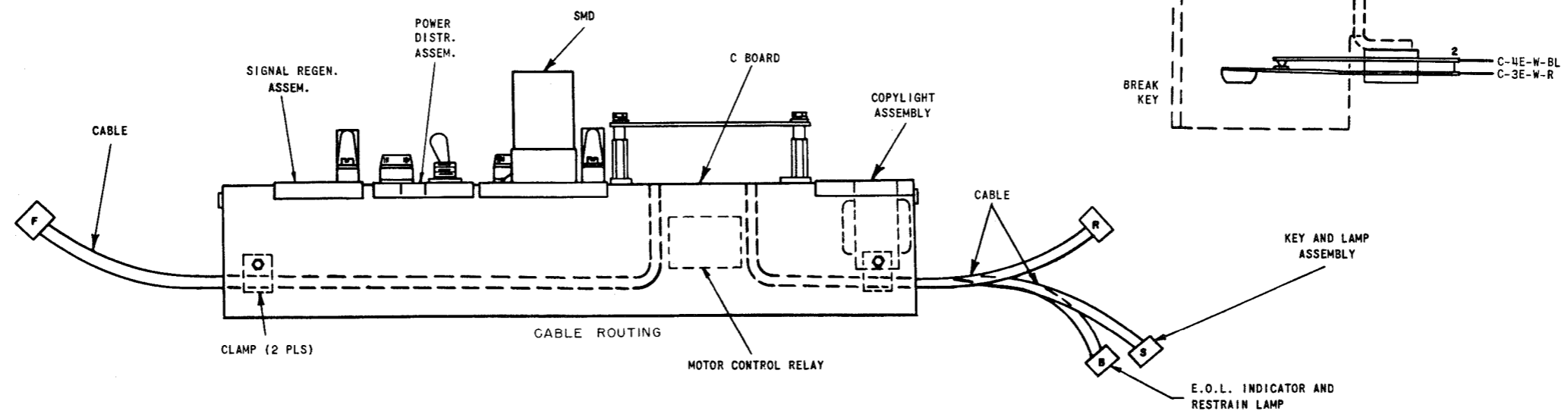
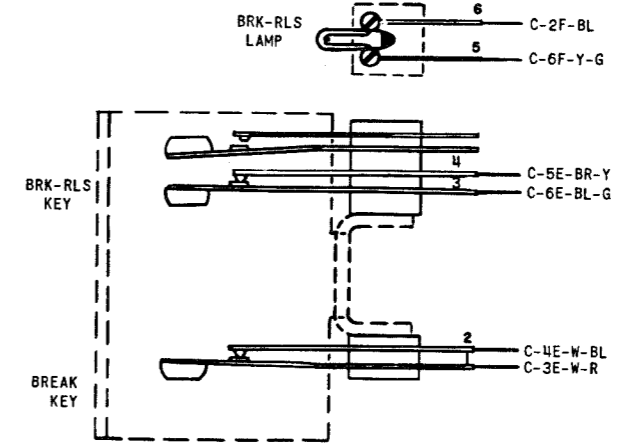
4933WD

REVISIONS

ISSUE	DATE	AUTH. NO.
2	8-1-62	74097
3	8-30-62	74344
4	10-20-62	74882
5	3-8-63	75732
6	11-14-63	78849
7	5-8-64	81602
8	6-16-64	82025
9	10-27-64	84301



S KEY AND LAMP ASSEMBLY (165717)



SHEET 2 OF 6

ACTUAL WIRING DIAGRAM FOR LESU305 (KSR)

APPROVALS

D AND R	E OF M
-----	-----

E-NUMBER

PROD. NO. 4933WD

DATE 6-5-62

P.D. FILE NO. 1-159.151AA

DRAWN M.K. CHKD.

ENGD. W.T.C. APPD. T.I.P.

TELETYPE CORPORATION

4933WD

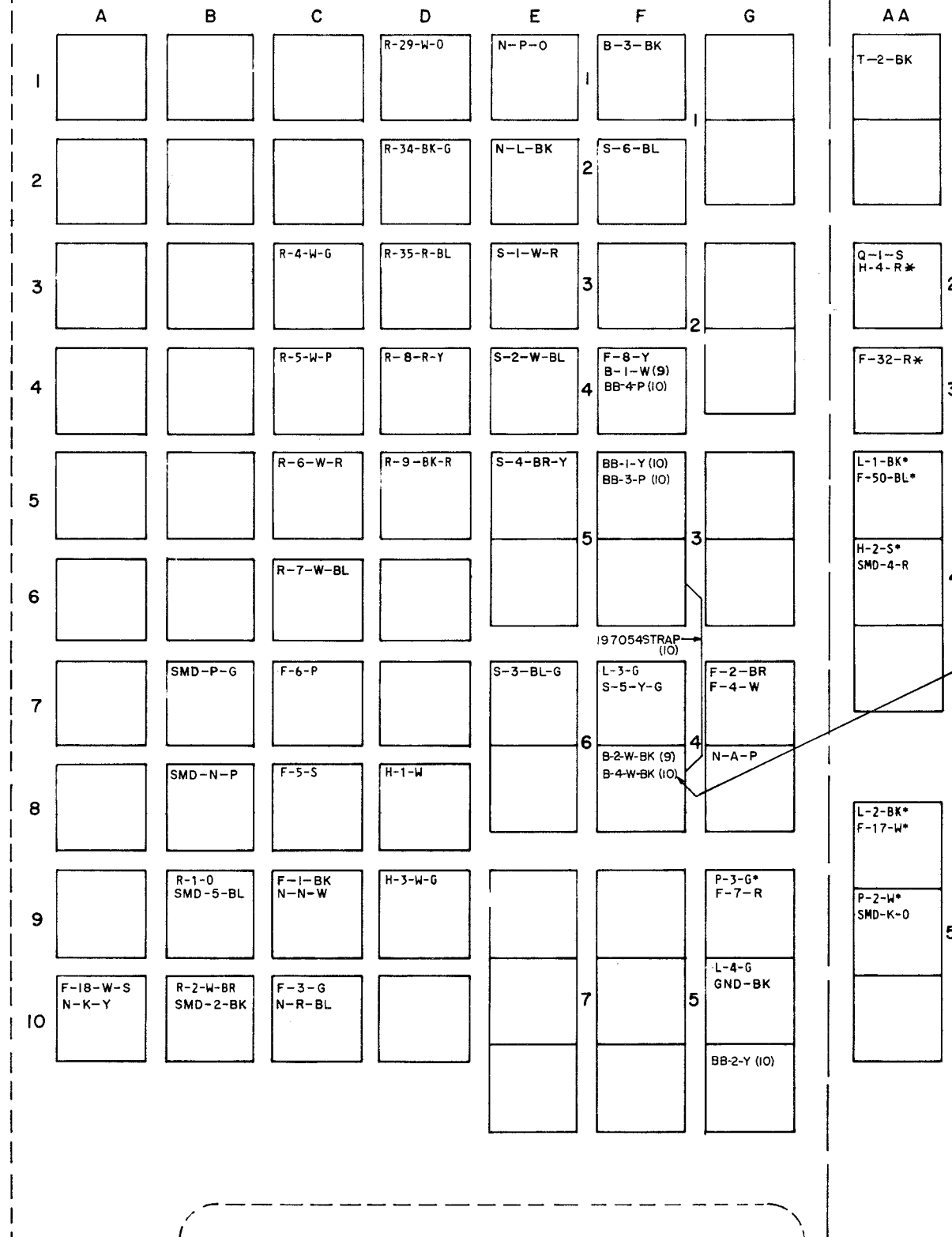
SEE SHEET 1 FOR NOTES.

NOTE:
REVISION INFORMATION MUST
ALSO BE REFLECTED ON THE
ISSUE CONTROL RECORD.

4933WD

REVISIONS		
ISSUE	DATE	AUTH. NO.
2	5-8-64	81602
3	6-18-64	82025
4	10-27-64	84301
5	3-24-65	86801
6	3-31-65	86296

C
MAIN WIRING FIELD



SEE NOTES 9 AND 10

PAGE 3 OF 6

ACTUAL
WIRING DIAGRAM
FOR
LESU305
(KSR)

APPROVALS

D AND R: [Signature]
E OF M: [Signature]

E-NUMBER

PROD. NO. 4933 WD

DATE 6-5-62

P.D. FILE NO. 1-159.151AA

DRAWN RGK

CHKD.

ENGD. G.E.W.

APPD. J.P.P.

TELETYPE
CORPORATION

4933WD

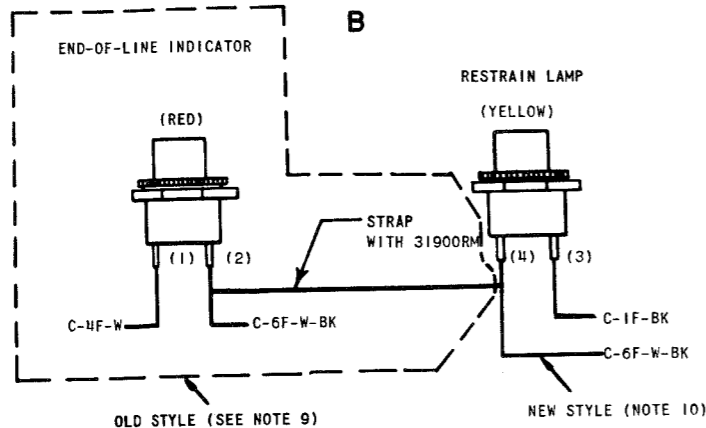
SEE SHEET 1 FOR NOTES.

NOTE: REVISION INFORMATION MUST ALSO BE REFLECTED ON THE ISSUE CONTROL RECORD.

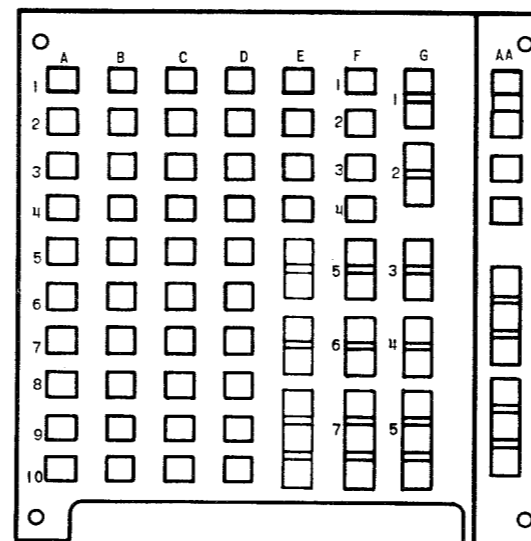
4933WD

REVISIONS

ISSUE	DATE	AUTH. NO.
2	5-8-64	81602
3	6-18-64	82025
4	10-27-64	84301



C (SEE CHART) SEE SHEET 6

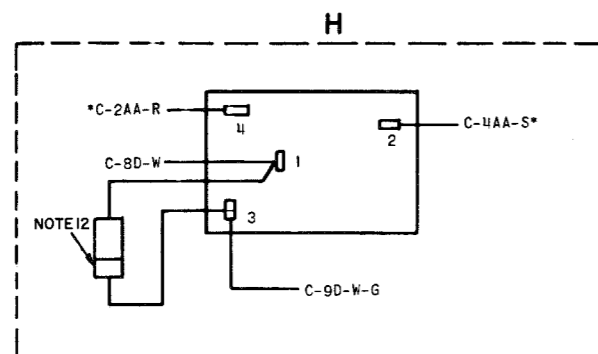


F (SEE CHART BELOW)

034	18	10
035	19	20
036	20	30
037	21	40
038	22	50
039	23	60
040	24	70
041	25	80
042	26	90
043	27	100
044	28	110
045	29	120
046	30	130
047	31	140
048	32	150
049	33	160
050		170

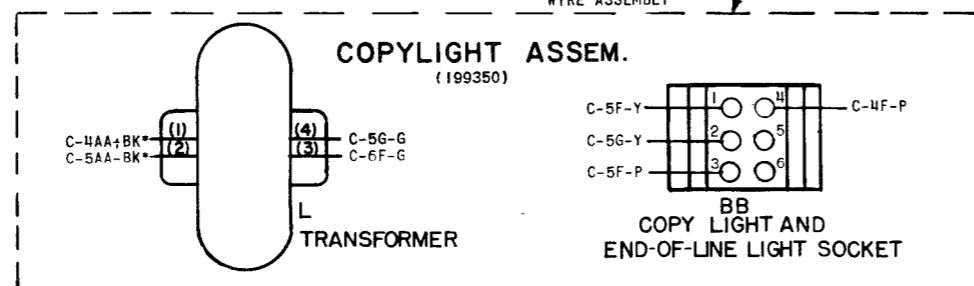
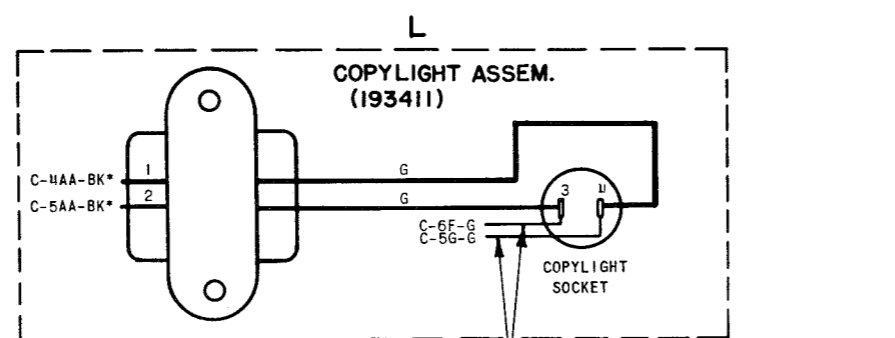
R (SEE CHART BELOW)

034	18	10
035	19	20
036	20	30
037	21	40
038	22	50
039	23	60
040	24	70
041	25	80
042	26	90
043	27	100
044	28	110
045	29	120
046	30	130
047	31	140
048	32	150
049	33	160
050		170



LEADS CONNECTED TO MAIN BOARD		
TERMINAL DESIG.	TERMINATING POINT	COLOR
C-9B	R1	O
C-10B	R2	W-BR
C-3C	R4	W-G
C-4C	R5	W-P
C-5C	R6	W-R
C-6C	R7	W-BL
C-1D	R29	W-O
C-2D	R34	BK-G
C-3D	R35	R-BL
C-4D	R8	R-Y
C-5D	R9	BK-R
C-9C	F1	BK
C-4G	F2	BR
C-10C	F3	G
C-4G	F4	W
C-8C	F5	S
C-7C	F6	P
C-5G	F7	R
C-4F	F8	Y
C-5AA	F17	W*
C-3AA	F32	R*
C-4AA	F50	BL*
C-10A	F18	W-S

LEADS CONNECTED TO MAIN BOARD		
TERMINAL DESIG.	TERMINATING POINT	COLOR
C-1AA	T2	BK*
C-2AA	Q1	S*
C-2AA	H4	R*
C-4AA	L1	BK*
C-4AA	H2	S*
C-5AA	L2	BK*
C-5AA	P2	W*
C-9C	NN	W
C-10C	NR	BL
C-8D	H1	W
C-9D	H3	W-G
C-1E	NP	O
C-2E	NL	BK
C-3E	SL	W-R
C-4E	S2	W-BL
C-5E	S4	BR-Y
C-6E	S3	BL-G
C-1F	B3	BK
C-2F	S6	BL
C-4F	B1	W
C-5G	L4	G
C-6F	S5	Y-G
C-6F	B2	W-BK
C-6F	L3	G
C-5G	P3	G*
C-4G	NA	P
C-4AA	SMD-4	R
C-5AA	SMD-K	O
C-7B	SMD-B	G
C-8B	SMD-R	P
C-9B	SMD-P	BL
C-10B	SMD-A	BK
C-10A	NK	Y
C-5G	GRD	BK*



SHEET 4 OF 6

ACTUAL WIRING DIAGRAM FOR LESU305 (KSR)

APPROVALS

D AND R	E OF M
-----	-----

E-NUMBER

PROD. NO. 4933WD

DATE 6-5-62

P.D. FILE NO. 1-159.151AA

DRAWN M.K. CHKD.

ENGD. W.T.C. APPD. T.I.P.

TELETYPE CORPORATION

4933 WD

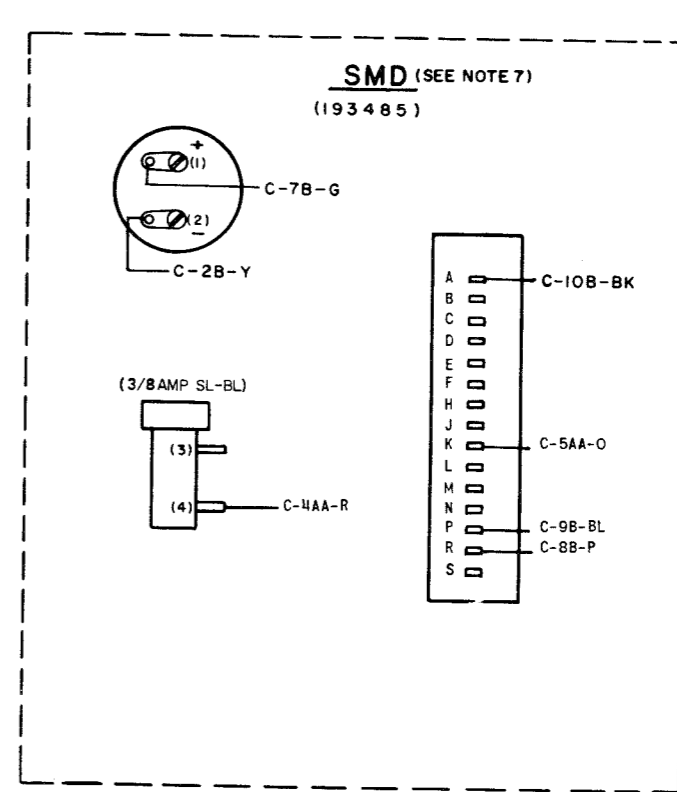
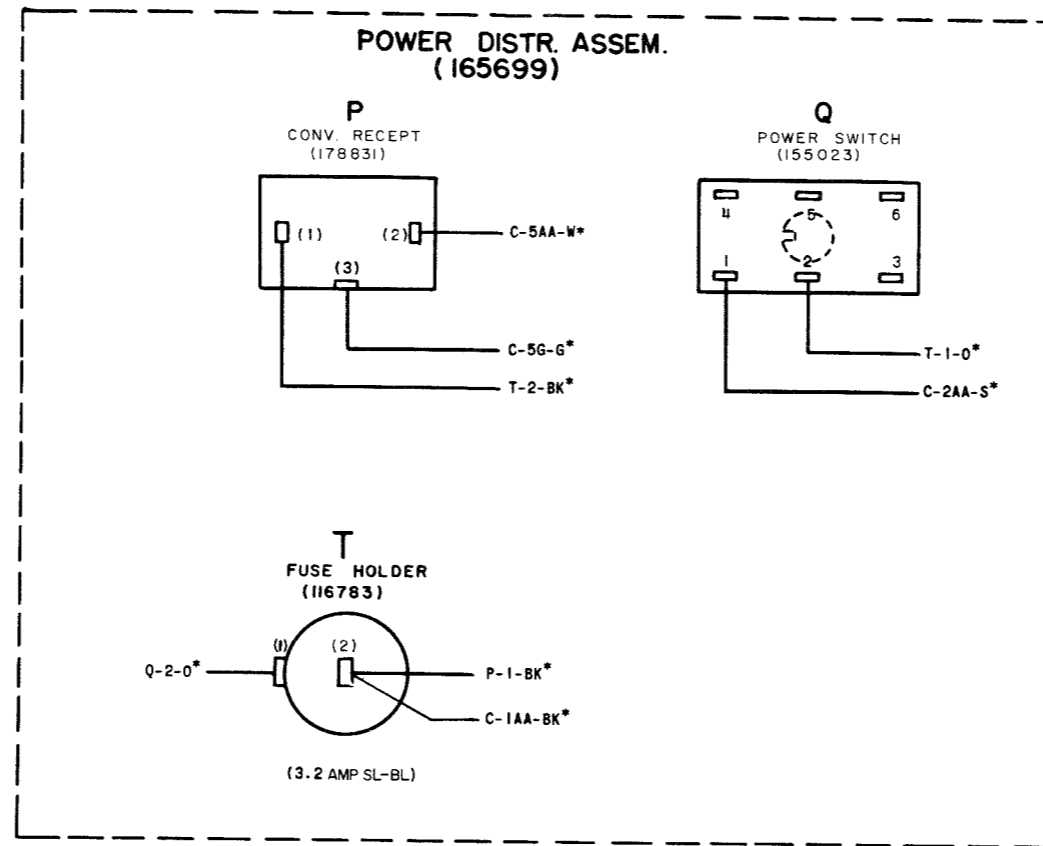
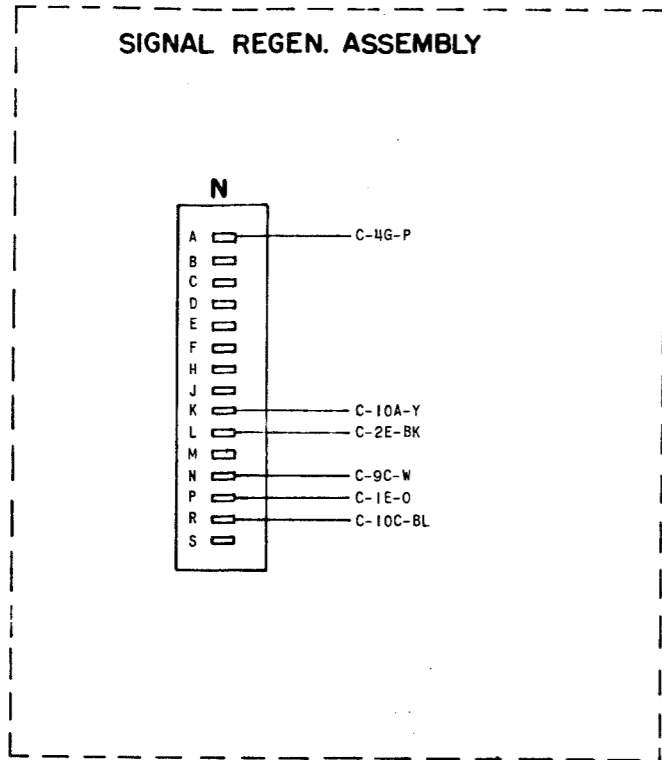
SEE SHEET 1 FOR NOTES.

NOTE: REVISION INFORMATION MUST ALSO BE REFLECTED ON THE ISSUE CONTROL RECORD.

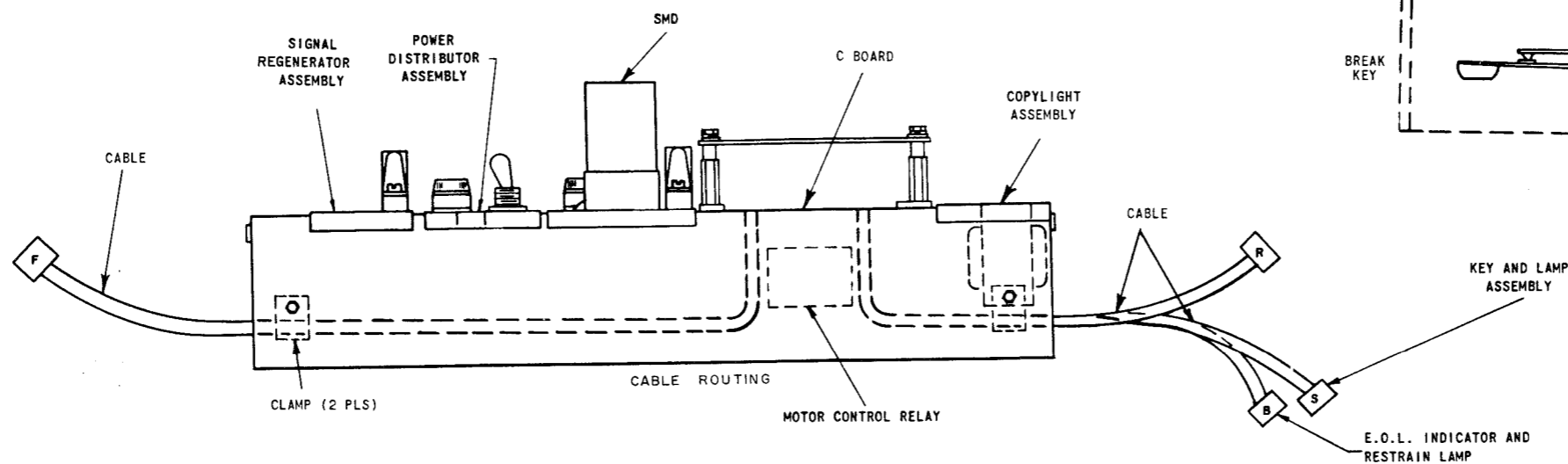
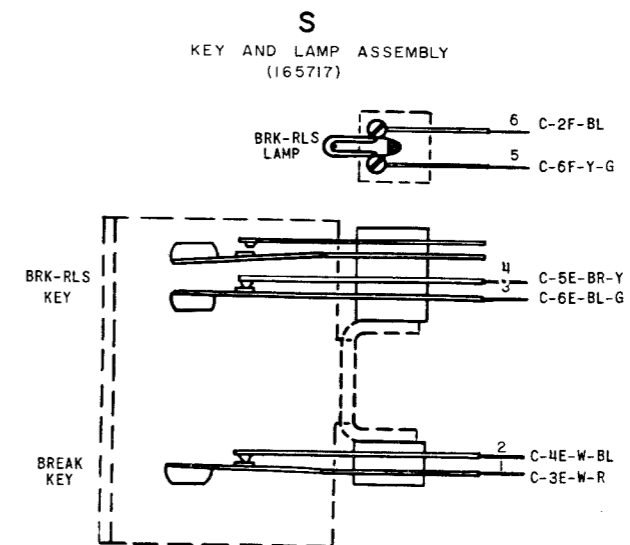
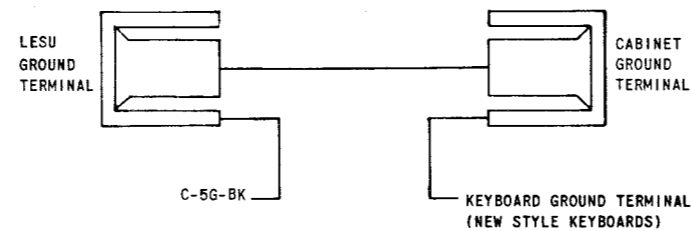
4933 WD

REVISIONS

ISSUE	DATE	AUTH. NO.
2	5-8-64	81602
3	6-18-64	82025
4	10-27-64	84301
5	11-24-65	89089



CABINET GROUND SCREW
 KEYBOARD GROUND SCREW (OLD STYLE KEYBOARDS)



SHEET 5 OF 6

ACTUAL WIRING DIAGRAM FOR LESU305 (KSR)

APPROVALS

D AND R	E OF M
-----	-----

E-NUMBER

PROD. NO. 4933WD

DATE 6-5-62

P.D. FILE NO. 1-159.151AA

DRAWN M.K. CHKD.

ENGD. W.T.C. APPD. *W.T.C.*

TELETYPE CORPORATION

4933WD

SEE SHEET 1 FOR NOTES.

NOTE:
REVISION INFORMATION MUST
ALSO BE REFLECTED ON THE
ISSUE CONTROL RECORD.

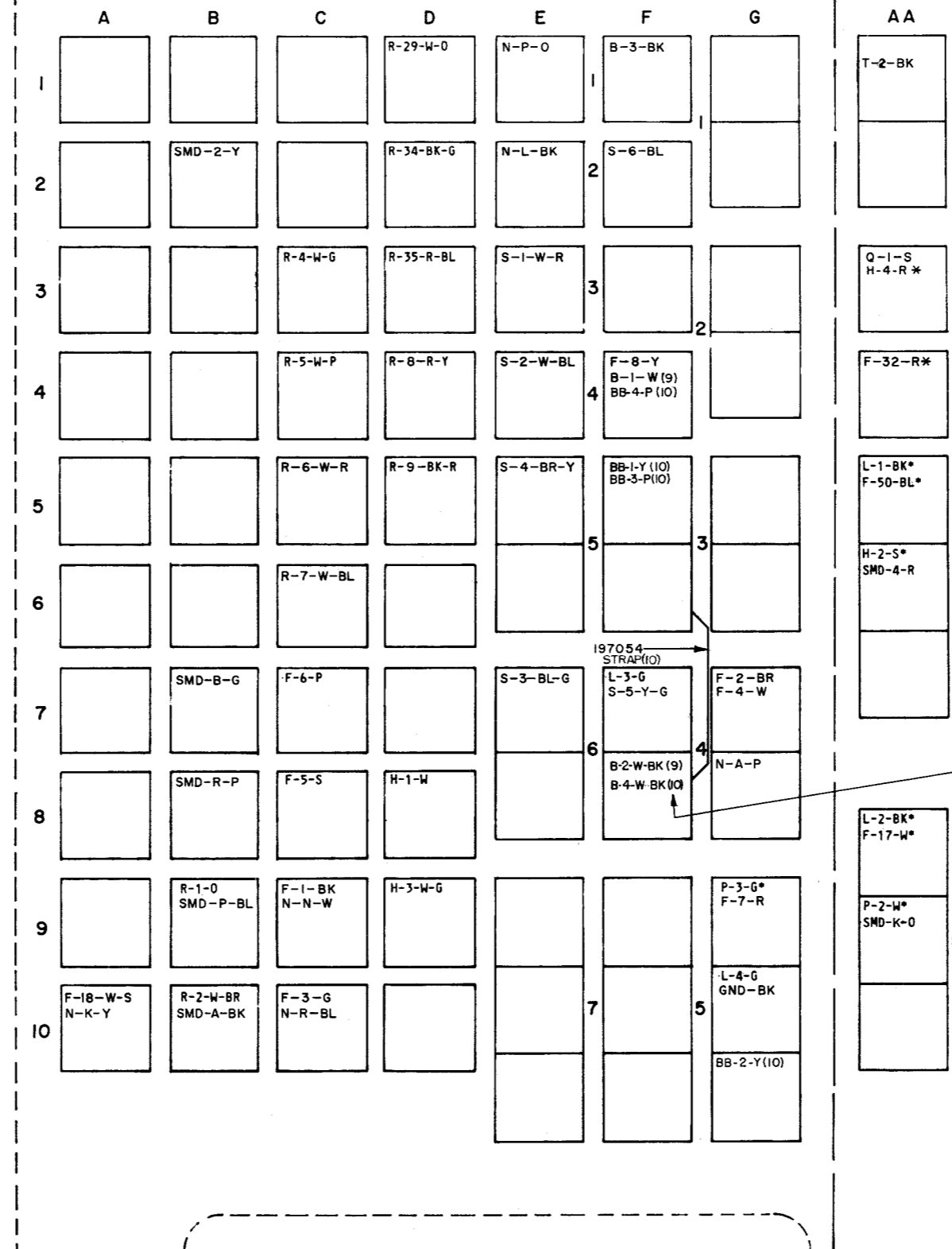
4933WD

REVISIONS

ISSUE	DATE	AUTH NO.
2	5-8-64	81602
3	6-16-64	82025
4	10-27-64	84301
5	3-24-65	86801
6	3-31-65	86296

RTTY ELECTRONICS
TELETYPE=Sales-Service-Parts
PO Box 20101 El Sobrante, Ca.
94820. (510)222-3102
mr_rtty@pacbell.net

C
MAIN WIRING FIELD



PAGE 6 OF 6

ACTUAL
WIRING DIAGRAM
FOR
LESU305
(KSR)

APPROVALS

D AND R *[Signature]* E OF M *[Signature]*

E-NUMBER
PROD. NO. 4933 WD

DATE 6-5-62

P.D. FILE NO. 1-159.151AA

DRAWN R G K

CHKD.

ENGD. G E W

APPD. *T.P.P.*

TELETYPE
CORPORATION

4933 WD