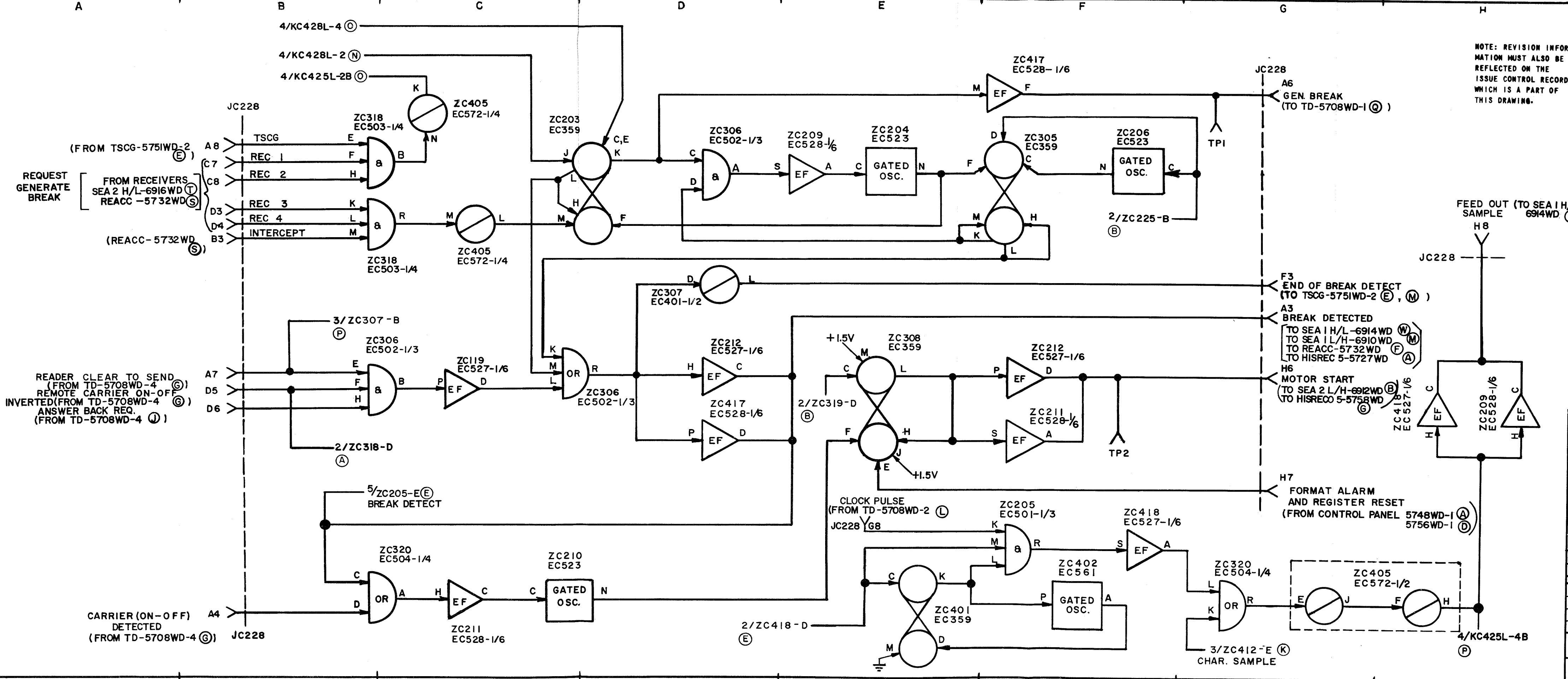


NO. NOTES  
I. REFER TO SHEET 5 OF 5 FOR NOTES.

RTTY ELECTRONICS  
TELETYPE=Sales-Service-Parts  
PO Box 2010, El Sobrante, Ca.  
94820. (510)222-3102  
mr\_rtty@pacbell.net



NOTE: REVISION INFORMATION MUST ALSO BE REFLECTED ON THE ISSUE CONTROL RECORD, WHICH IS A PART OF THIS DRAWING.

5706 WD		
REVISIONS		
ISSUE	DATE	AUTH. NO.
1	11-29-63	79442
2	11-24-64	79362
3	4-7-64	82107
4	7-10-64	82490
5	8-31-64	82490
6	8-31-64	82490
7	4-18-66	90307

SEE ISSUE CONTROL RECORD FOR COMPLETE LIST OF SHEETS COMPRISING THIS W.D.  
SHEET 1 OF 5

SCHEMATIC WIRING DIAGRAM FOR RECEIVING DISTRIBUTOR AND CONTROLS

ASSEM. NO. 193003

APPROVALS

D AND R E OF M

E-NUMBER

PROD. NO. 5706 WD

DATE: 8-9-63

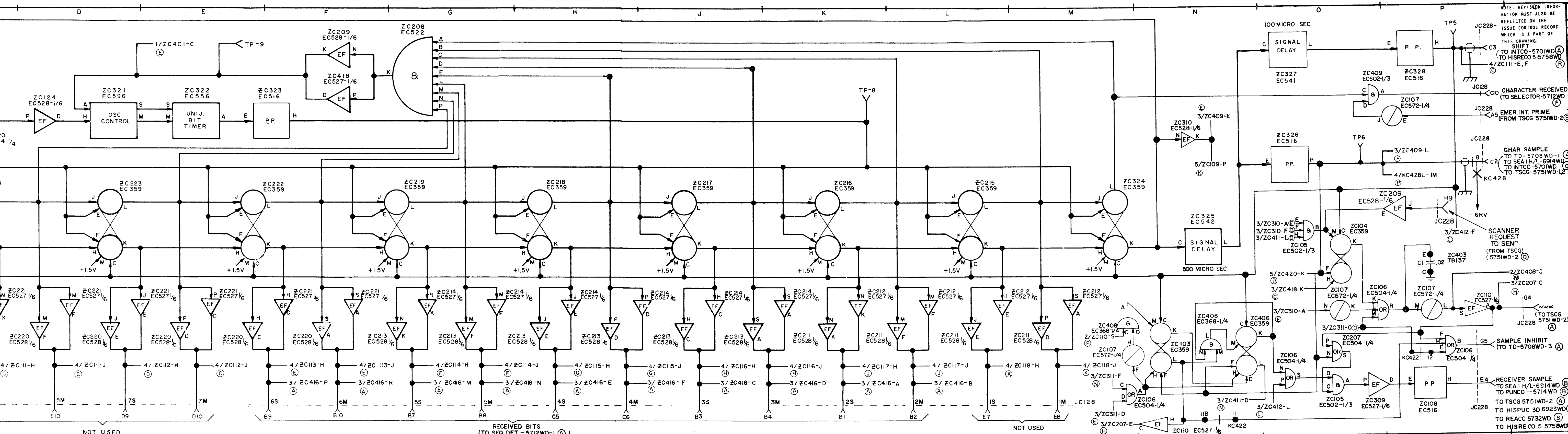
P.D. FILE NO. 33-A25 AA

DRAWN N.A.R. CHKD. [Signature]

ENGD. M.J.R. APPD. [Signature]

TELETYPE CORPORATION

5706 WD



NOTE: REVISION INFORMATION MUST ALSO BE REFLECTED ON THE ISSUE CONTROL RECORD, WHICH IS A PART OF THIS DRAWING.

5706 WD		
REVISIONS		
ISSUE	DATE	AUTH. NO.
1	12-29-63	79452
2	1-24-64	79362
3	4-7-64	79849
4	7-10-64	82107
5	8-31-64	82490
6	10-29-64	83691
7	1-11-65	84872
8	2-24-65	86216
9	4-10-65	87295
10	5-20-65	87305
11	6-28-65	87305
12	4-18-66	90307

CHARACTER RECEIVED (TO SELECTOR-5712WD-5) (F)

EMER. INT. PRIME (FROM TSCG 5751WD-2) (B)

CHAR SAMPLE TO TD-5708WD-1 (A) TO SEA I/H/L-6914WD (B) TO INTCO-5701WD (C) TO TSCG-5751WD-12 (K,T)

SEE ISSUE CONTROL RECORD FOR COMPLETE LIST OF SHEETS COMPRISING THIS W.D. SHEET 2 OF 5

SCHMATIC WIRING DIAGRAM RECEIVING DISTRIBUTOR AND CONTROLS

ASSEM. NO. 193003

APPROVALS

D AND R E OF M

E-NUMBER

PROD. NO. 5706WD

DATE: 7-21-63

P.D. FILE NO. 33-A25AA

DRAWN N.A.R. CMKD

ENGR. R.C.H. APD

TELETYPE CORPORATION

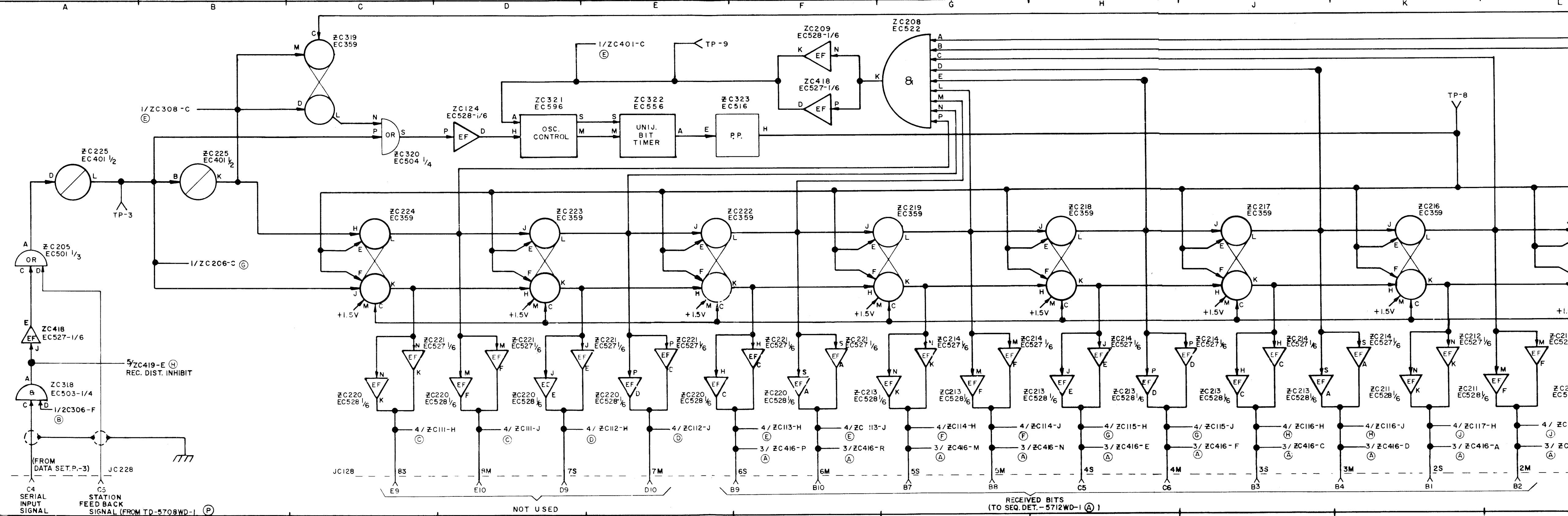
5706 WD

RECEIVER SAMPLE TO SEA I/H/L-6914WD (B) TO PUNCO-5714WD (A) TO TSCG 5751WD-2 (A) TO HISPUC 30 6923WD (D) TO REACC 5732WD (S) TO HISRECO 5 5758WD (J)

NO.

NOTES

I. REFER TO SHEET 5 OF 5 FOR NOTES

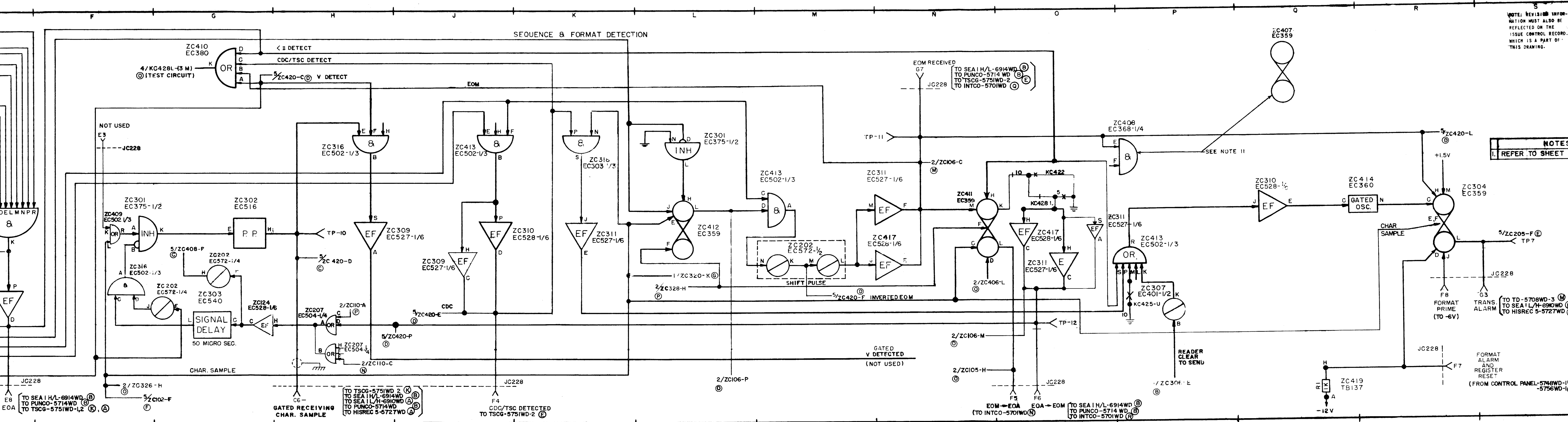


C4 SERIAL INPUT SIGNAL

C5 STATION FEED BACK SIGNAL (FROM TD-5708WD-1)

NOT USED

RECEIVED BITS (TO SEQ. DET.-5712WD-1)



5706 WD

ISSUE	DATE	AUTH. NO.
1	11-23-63	79452
2	1-24-64	79362
3	4-7-64	79849
4	7-10-64	81107
5	8-31-64	81190
6	10-29-64	83661
7	2-12-65	83668
8	2-24-65	86216
9	4-10-65	86234
10	6-28-65	87305
11	10-4-65	88570
12	4-18-66	90307

NOTE: REVISION INFORMATION MUST ALSO BE REFLECTED ON THE ISSUE CONTROL RECORD, WHICH IS A PART OF THIS DRAWING.

NOTES  
I. REFER TO SHEET 5 OF 5 FOR NOTES.

SEE ISSUE CONTROL RECORD FOR COMPLETE LIST OF SHEETS COMPRISING THIS UNIT.  
SHEET 3 OF 5

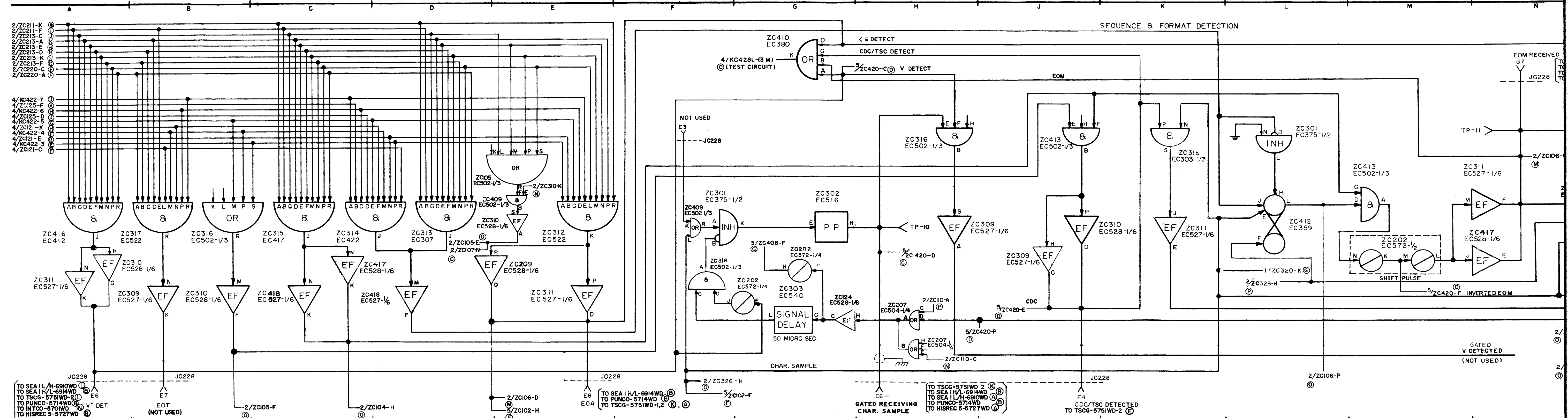
SCHEMATIC WIRING DIAGRAM RECEIVING DISTRIBUTION AND CONTROLS

ASSEM. NO. 193003

APPROVALS

DATE: 7-22-63  
P.D. FILE NO. 33-A25AA  
DRAWN: HDS  
CHKD: ENG. MJR  
TELETYPE CORPORATION  
5706 WD





TO SEA I H/L-6914WD  
TO SEA I H/L-6914WD  
TO TSCG-5751WD-2  
TO PUNCO-5714WD  
TO INTCO-5701WD  
TO HISREC 5-5727WD

EOT  
(NOT USED)

2/ZC105-F

2/ZC104-H

2/ZC106-D  
5/ZC102-H

TO SEA I H/L-6914WD  
TO PUNCO-5714WD  
TO TSCG-5751WD-1,2

2/ZC326-H  
5/ZC102-F

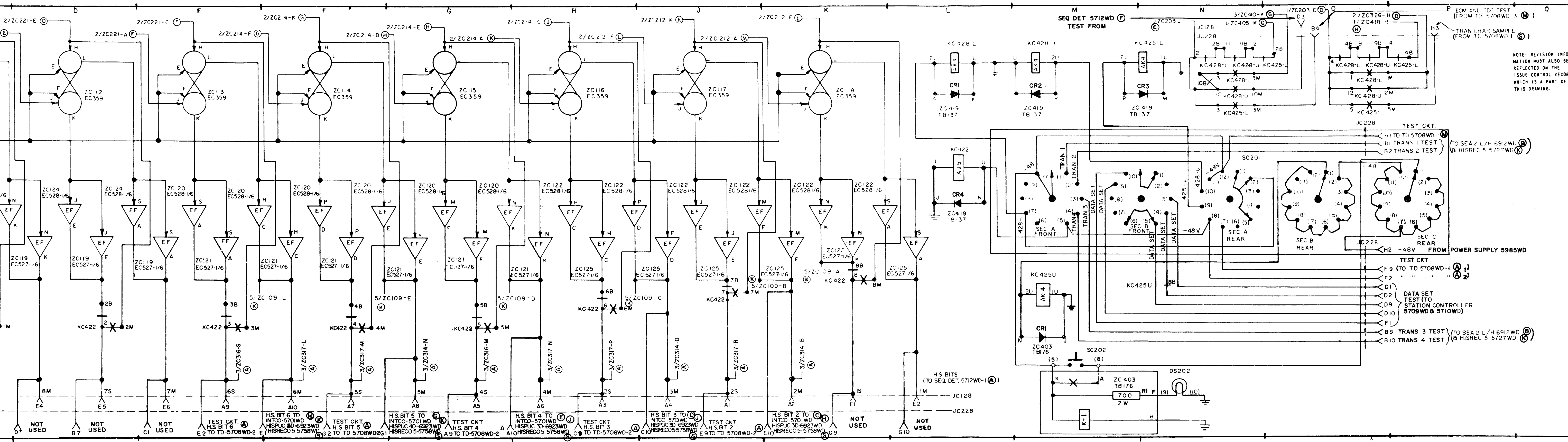
GATED RECEIVING  
CHAR. SAMPLE

TO TSCG-5751WD-2  
TO SEA I H/L-6914WD  
TO SEA I H/L-6914WD  
TO PUNCO-5714WD  
TO HISREC 5-5727WD

F4  
CDC/TSC DETECTED  
TO TSCG-5751WD-2

2/ZC106-P

GATED  
V DETECTED  
(NOT USED)



5706 WD		
REVISIONS		
ISSUE	DATE	AUTH NO.
1	11-29-63	79452
2	11-24-64	79382
3	4-4-64	79845
4	7-10-64	82107
5	8-31-64	82490
6	10-29-64	83661
7	1-11-65	84872
8	4-18-66	90307

NOTE: REVISION INFORMATION MUST ALSO BE REFLECTED ON THE ISSUE CONTROL RECORD, WHICH IS A PART OF THIS DRAWING.

SEE ISSUE CONTROL RECORD FOR COMPLETE LIST OF SHEETS COMPRISING THIS W.D.  
SHEET 4 OF 5

SCHEMATIC WIRING DIAGRAM RECEIVING DISTRIBUTOR AND CONTROL

ASSEM. NO 193003

APPROVALS

D AND R E OF M

ENUMBER

PROD. NO. 5706WD

DATE: 7-21-63

P.D. FILE NO 33-A25AA

DRAWN N.A.R. CHKD

ENGR R.C.H. APPD

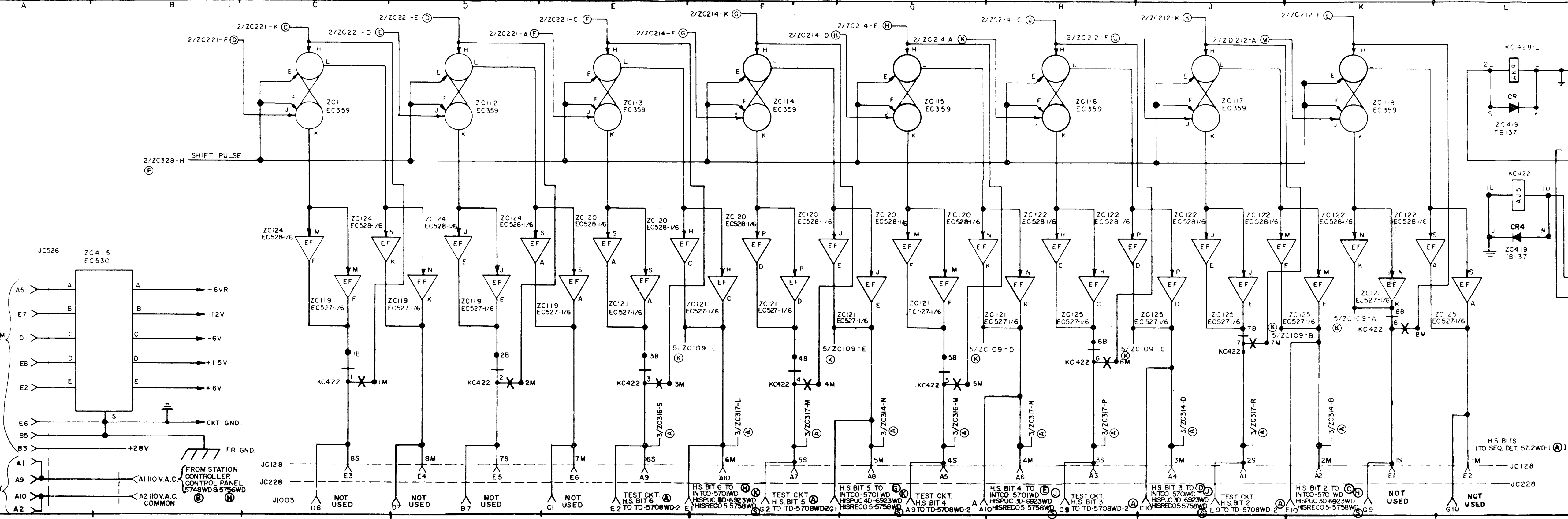
TELETYPE CORPORATION

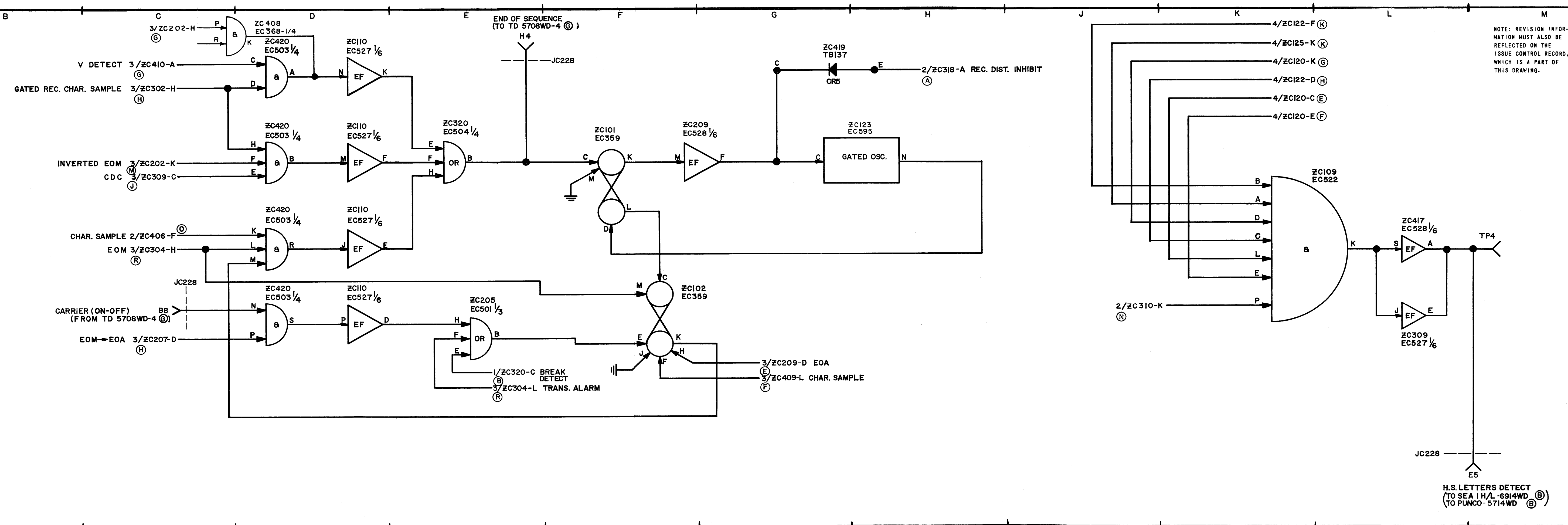
5706 WD

NO

NOTES

I REFER TO SHEET 5 OF 5 FOR NOTES





5706 WD		
REVISIONS		
ISSUE	DATE	AUTH. NO.
2	11-29-63	79452
3	1-24-64	79362
4	4-7-64	79849
5	7-10-64	82107
6	8-31-64	82490
7	1-11-65	84872
8	2-12-65	83668
9	2-24-65	86216
10	4-10-65	86234
11	5-20-65	87295
12	10-4-65	88570
13	4-18-66	90307

NOTE: REVISION INFORMATION MUST ALSO BE REFLECTED ON THE ISSUE CONTROL RECORD, WHICH IS A PART OF THIS DRAWING.

SEE ISSUE CONTROL RECORD FOR COMPLETE LIST OF SHEETS COMPRISING THIS W.D.

SHEET 5 OF 5

SCHEMATIC WIRING DIAGRAM RECEIVING DISTRIBUTOR AND CONTROLS

ASSEM. NO. 193003

APPROVALS

D AND R E OF M

E-NUMBER

PROD. NO. 5706 WD

DATE: 8-11-64

PD. FILE NO. 33-A25AA

DRAWN H.J. CHKD.

ENGD. M.J.R. APPD. RJR

TELETYPE CORPORATION

5706WD



- | NO. | NOTES  |
|-----|--|
| 1.  | REFER TO 5705WD FOR ACTUAL WIRING DIAGRAM.   |
| 2.  | ALL VOLTAGES D.C. UNLESS OTHERWISE SPECIFIED.  |
| 3.  | ( ) INDICATES SHIELDED WIRE.   |
| 4.  | TERMINAL DESIGNATION IN PARENTHESES ( ) ARE FOR REFERENCE AND NOT MARKED ON COMPONENT.   |
| 5.  | ALL RESISTORS 1/2 WATT AND RESISTANCE VALUES IN OHMS, UNLESS OTHERWISE SPECIFIED.  |
| 6.  | SPARE CIRCUITS AVAILABLE:<br><br>ZC119-1-NPN EMITTER FOLLOWERS-EC527-1/6<br>ZC207-1-3 INPUT "OR" GATE-EC504-1/4<br>ZC309-1-NPN EMITTER FOLLOWER-EC527-1/6          |
| 7.  | REFER TO SPECIFICATION FOR ADJUSTMENT OF VARIABLE TIMING CIRCUITS.   |
| 8.  | ( ) INDICATES TERMINAL OR RECEPTACLE JC556, JC228, JC128, EXCEPT WHERE OTHERWISE INDICATED.  |
| 9.  | WIRING LEGEND:<br>PAGE<br>MODULE POSITION<br>ROW AREA ON PAGE WHERE DESIRED TERMINATION IS LOCATED.<br>DISTANT TERMINATING DESIGNATION<br>DISTANT TERMINATING AREA |
| 10. | THE NORMAL OUTPUTS OF ZC101 THROUGH ZC108 ARE WIRED WITHIN THE MODULE BUT NOT BROUGHT OUT TO THE MODULE CONNECTOR.   |
| 11. | THESE CIRCUITS (WIRED AS INDICATED) AT PRESENT PROVIDE NO LOGIC FUNCTION.  |
| 12. | SIGNALS GOING FROM ONE WD TO ANOTHER WHICH ARE CONNECTED TOGETHER HAVE THE SAME TITLE ON EACH WD.  |

